

TECHNICAL DATASHEET

AFPD024/CCT

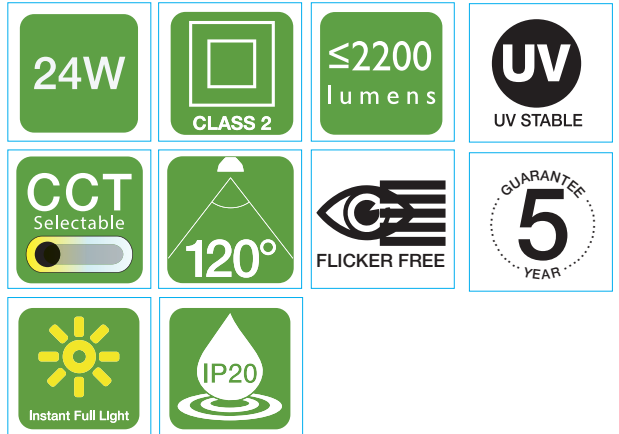
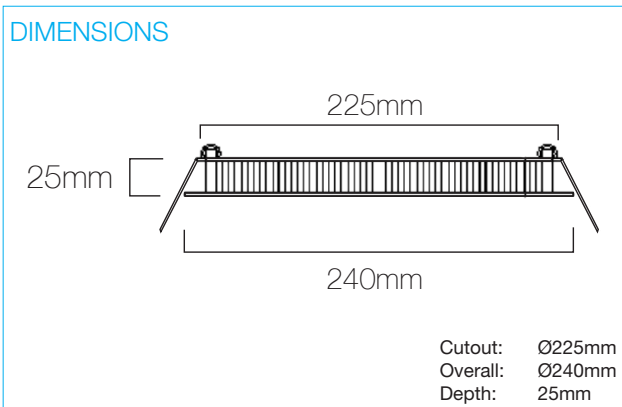
24W Orbit CCT Selectable Flat Panel Slimline Downlight



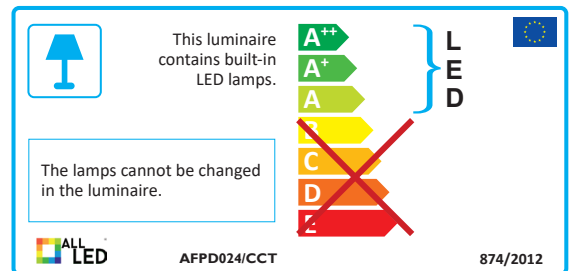
PRODUCT FEATURES

- CCT Selectable (3000K/4000K/6000K)
- UV Stable
- Flicker Free
- Low Glare Edge-Lit Design
- Slimline Design
- Ideal For Use In Shallow Ceiling Voids
- High Luminous Efficiency
- Plug & Play DC Connector Driver
- Uniform Light Output
- DC Connector
- Easy Installation

DIMENSIONS



| PRODUCT CODE | AFPD024/CCT |
|-------------------------------|------------------------------|
| Frame colour | White |
| Wattage | 24W |
| Operating Voltage | 220 - 240V AC |
| Frequency | 50-60Hz |
| CCT | 3000K, 4000K, 6000K |
| CRI | >80 |
| PF | >0.5 |
| Beam angle | 120° |
| Peak intensity | 896cd |
| Lifetime to LM80 | 30,000H |
| Lumens | ≤2200LM |
| Switching cycles | <15,000 |
| Ambient operating temperature | -20 ~ 50°C |
| SDCM | <8 |
| Starting time | Instant start |
| Ingress protection | IP20 |
| LED chips | SMD2835 |
| Guarantee | 5 Years |
| Cut outs | Ø225mm |
| Overall diameter | Ø240mm |
| Driver dimensions | 95mm (W), 35mm (D), 25mm (H) |
| Class Driver | II |
| Class Downlight | III |



Options Available:

