

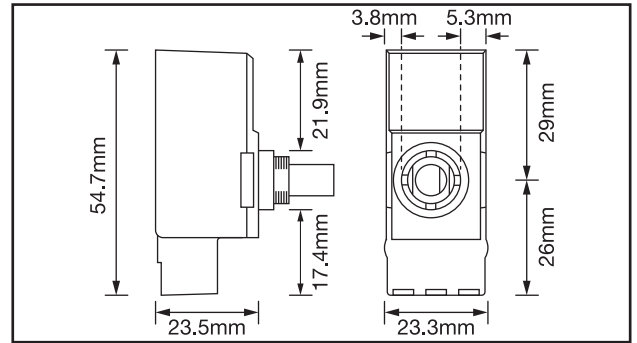
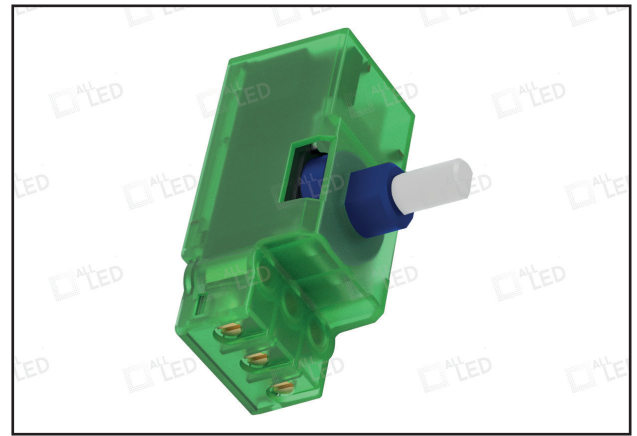
ADIM/150W

150W Universal 2 Way
LED Dimmer Module

ALLDIM

PRODUCT FEATURES

- Designed For Use With LED's
- Programmable Leading Edge And Trailing Edge Modes
- Adjustable Minimum Brightness Setting
- Advanced Optidim Technology
- Optidim Technology Suitable Wide Dimming Compatibility
- Slim, Slightly Off-Centre Spindle - Dimmer Plate Fit Guarantee
- Compact Size With Earth Lug Void
- Suitable For Retrofit And New Installations
- Plate Fit Guarantee



TECHNICAL SPECIFICATIONS

Product Code	ADIM/150W
Operating Voltage	220-240V
Operating Current (A Max)	0.7A
Max Output Power	5W - 150W LED
Output Voltage (Max)	240VAC
PF	≥0.83
No Load Power (W)	0W
Class	II
Body Material	Polycarbonate
Ingress Protection	IP20
Ambient Operating Temperature (°C)	-10°C~40°C
Input Frequency (Hz)	50Hz
Guarantee	2 Years
Dimming Mode (Trailing or Leading)	Fully Programmable - Leading Edge And Trailing Edge (2 Modes)

