

TECHNICAL DATASHEET

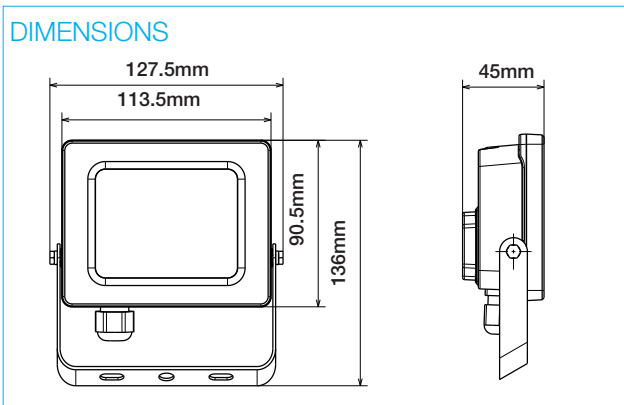
AFL010/CCT 10W IP65 Hunter Slim Design CCT Floodlight



PRODUCT FEATURES

- Easy-Install Angled Bracket
- Tri-Colour Selectable (3000K, 4000K & 6000K)
- Slimline Die-cast Aluminium Construction
- Prismatic Toughened Glass
- Push Terminals for Effortless Install
- Built-in Junction Box

DIMENSIONS



Product Code	AFL010/CCT
Rated Power	10W
Housing Colour	Textured Black
Operating Voltage	220-240V
Frequency	50-60Hz
CRI	>80
PF	>0.9
Beam Angle	120°
Lifetime to LM70	<30,000 hr
Operating Temperature	-25°C ~ +40°C
SDCM	<6
Starting Time	0.5s
Ingress Protection	IP65
LED Chip Type	SMD2835
Guarantee	2 years
Lumens:	
3000K	≤760Lm
4000K	≤915Lm
6000K	≤830Lm
CCT	3000K /4000K /6000K
Switching Cycles	≤15,000
Peak Intensity:	
3000K	303cd
4000K	364cd
6000K	322cd
Class	I

