

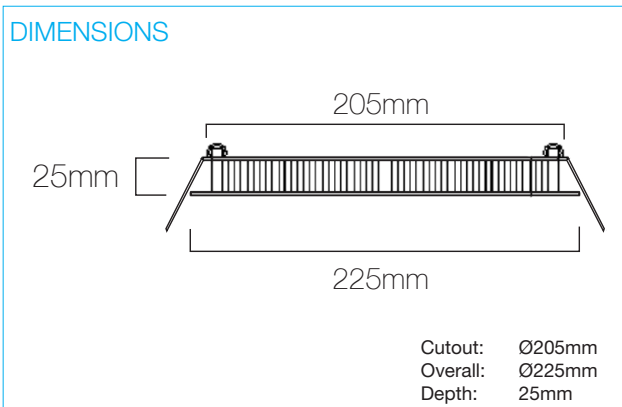
## TECHNICAL DATASHEET

### AFPD018/CCT

18W Orbit CCT Selectable Flat Panel Slimline Downlight

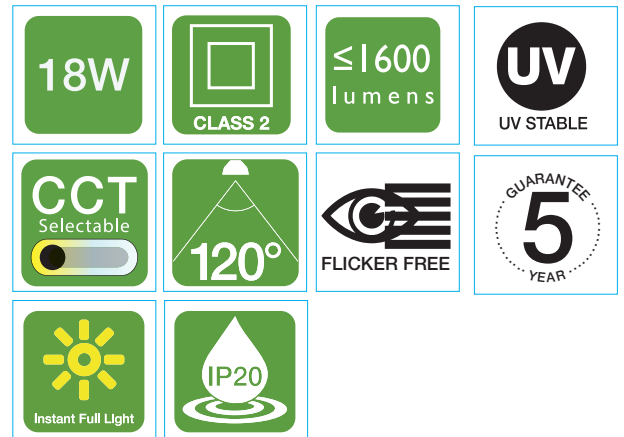


#### DIMENSIONS

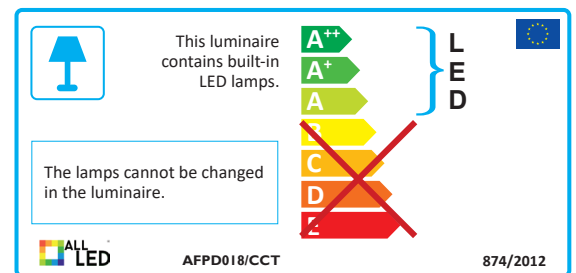


#### PRODUCT FEATURES

- CCT Selectable (3000K/4000K/6000K)
- UV Stable
- Flicker Free
- Low Glare Edge-Lit Design
- Slimline Design
- Ideal For Use In Shallow Ceiling Voids
- High Luminous Efficiency
- Plug & Play DC Connector Driver
- Uniform Light Output
- DC Connector
- Easy Installation



PRODUCT CODE	AFPD018/CCT
Frame colour	White
Wattage	18W
Operating Voltage	220 - 240V AC
Frequency	50-60Hz
CCT	3000K, 4000K, 6000K
CRI	>80
PF	>0.5
Beam angle	120°
Peak intensity	510cd
Lifetime to LM80	30,000H
Lumens	≤1600LM
Switching cycles	<15,000
Ambient operating temperature	-20 ~ 50°C
SDCM	<8
Starting time	Instant start
Ingress protection	IP20
LED chips	SMD2835
Guarantee	5 Years
Cut outs	Ø205mm
Overall diameter	Ø225mm
Driver dimensions	95mm (W), 35mm (D), 25mm (H)
Class Driver	II
Class Downlight	III



Options Available:

