

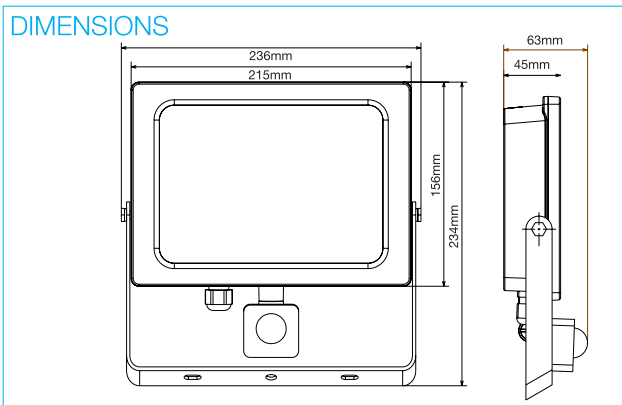
## TECHNICAL DATASHEET

### AFL050/CCT/PIR/WH

50W IP65 Hunter Slim Design CCT PIR Floodlight White

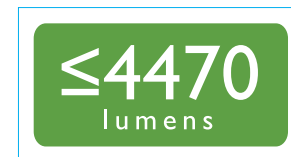


#### DIMENSIONS



#### PRODUCT FEATURES

- Easy-Install Angled Bracket
- Tri-Colour Selectable (3000K, 4000K & 6000K)
- Slimline Die-cast Aluminium Construction
- Prismatic Toughened Glass
- Push Terminals for Effortless Install
- Built-in Junction Box
- Manual Override
- Active Occupancy Monitoring Sensor
- Fully Adjustable PIR



<b>Product Code</b>	<b>AFL050/CCT/PIR/WH</b>
Rated Power	50W
Housing Colour	Polar White
Operating Voltage	220-240V
Frequency	50-60Hz
CRI	>80
PF	>0.9
Beam Angle	120°
Lifetime to LM70	<30,000 hr
Operating Temperature	-25°C ~ +40°C
SDCM	<6
Starting Time	0.5s
Ingress Protection	IP65
LED Chip Type	SMD2835
Guarantee	2 years
Detection Angle:	120 Degrees
Detection Range	2-10 Meters
Hold Time:	10 Sec +/- 5 second to 10 Min +/- 2 Min
Lux Setting:	3-2000 Lux
<b>Lumens</b>	
3000K	≤3780Lm
4000K	≤4470Lm
6000K	≤3850Lm
CCT	3000K /4000K /6000K
Switching Cycles	≤15,000
<b>Peak Intensity</b>	
3000K	1360cd
4000K	1648cd
6000K	1432cd
Class	I

