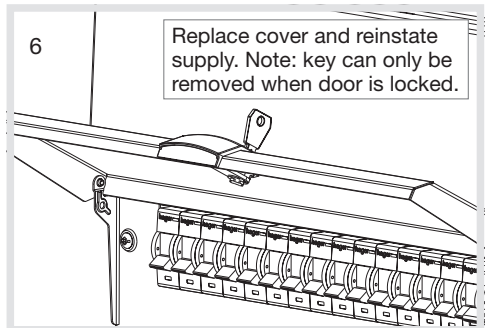
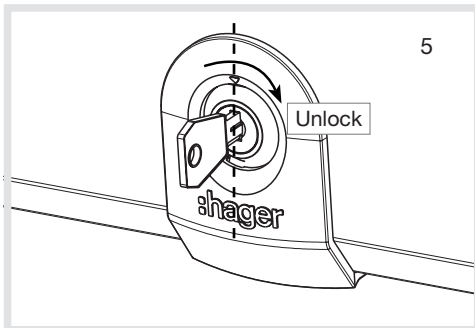
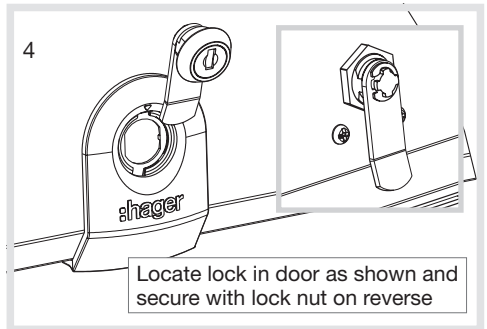
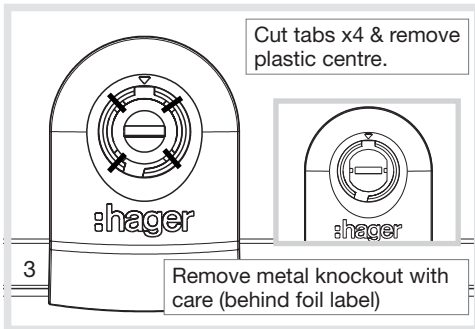
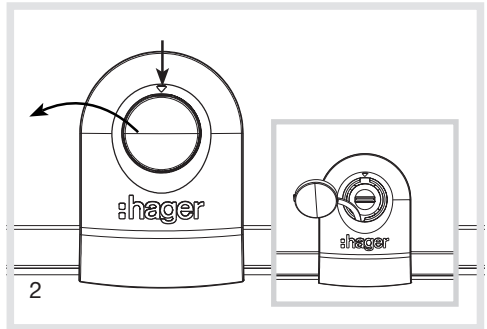
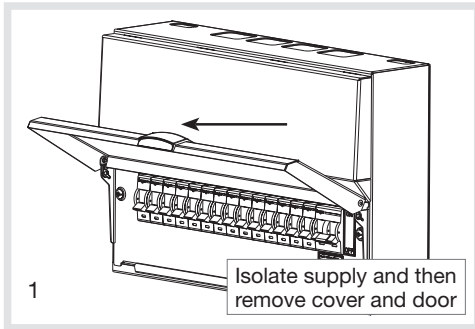
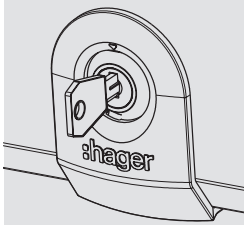


(GB)

**VMLOCK**  
Keylock for use with Design 30 Consumer Units  
Instructions/Data Sheet

This device allows the board to be locked to prevent unauthorised access.

ZD0823



ZD0823