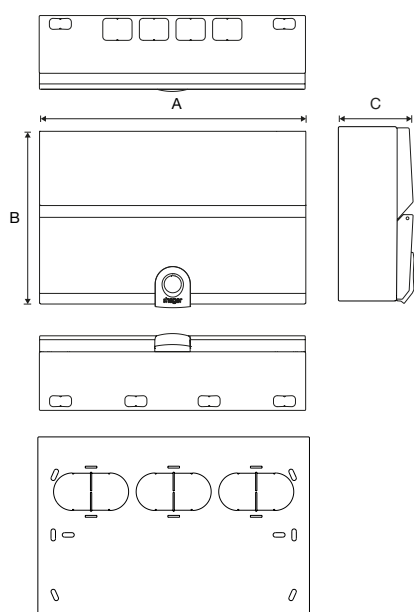


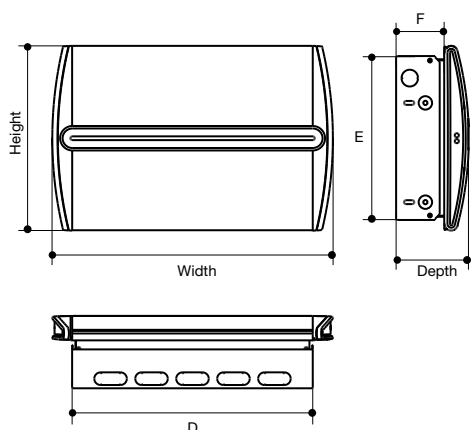
### Design 10

Dimensions (mm)	Enclosure Size					
	2	3	4	5	6	7
A	155	227	299	370	406	478
B	246	246	246	246	246	246
C	83	83	83	83	83	83
D	100	100	100	100	100	100
Number of Knockouts						
<input type="checkbox"/> Top Face 30 x 15 (mm)	2	2	2	2	2	2
<input type="checkbox"/> Top Face 40 x 30 (mm)	0	2	4	4	6	6
<input type="checkbox"/> Back 100 x 50 (mm)	1	1	1	3	3	3
<input type="checkbox"/> Bottom Face 30 x 15 (mm)	2	3	4	4	5	5



### Design 30

Dimensions (mm)	Enclosure Size					
	2	3	4	5	6	7
A	149	221	293	364	400	472
B	240	240	240	240	240	240
C	102.5	102.5	102.5	102.5	102.5	102.5
Number of Knockouts						
<input type="checkbox"/> Top Face 30 x 15 (mm)	2	2	2	2	2	2
<input type="checkbox"/> Top Face 40 x 30 (mm)	0	2	4	4	6	6
<input type="checkbox"/> Back 100 x 50 (mm)	1	1	1	3	3	3
<input type="checkbox"/> Bottom Face 30 x 15 (mm)	2	3	4	4	5	5



Design 50	SIZE 4	SIZE 5	SIZE 6	SIZE 7
	12 Mod	16 Mod	18 Mod	22 Mod
Height	284	284	284	284
Width	359	431	467	539
Depth	105	105	105	105
D	298	370	406	478
E	252	252	252	252
F	72	72	72	72

### Adjustable Depth Base

The base assembly is adjustable from 72mm to 92mm. At 72mm this allows for a 60mm studwork and 12mm of plasterboard.