

## Technical Characteristics

### Electrical Characteristics

Voltage Supply	230V ±10% 50/60Hz
Consumption	1VA
Output	1 Changeover contact 16A - 250V AC 1 3A - 250V cosφ = 0.6 1000W Incandescent lighting

### Functional Characteristics

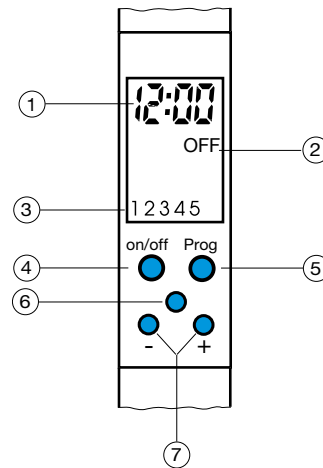
Number of programs	20 Program Steps (each program step can be applied to one of several days)
Accuracy	±6min per year
Supply Failure Reserve	Total of 3 years

### Environment

Working Temperature	-10°C to +50°C
Storage Temperature	-10°C to +60°C

<b>Cable Capacity</b>	1 to 4mm <sup>2</sup>
-----------------------	-----------------------

## Product Presentation



### Display

1. Time
2. Circuit Status
3. Days of the week

### Buttons

4. ON / OFF : to select the circuit status
5. Reset
6. Prog: to program the device and scroll program steps
7. To input time and day

## Electrical Connection

