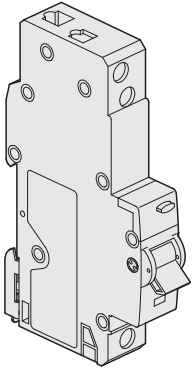


Ⓜ Residual Current Breakers
Operated RCBO 6 - 50 A

User instructions

6A 5004.c



WARNING : Installation by qualified contractors only

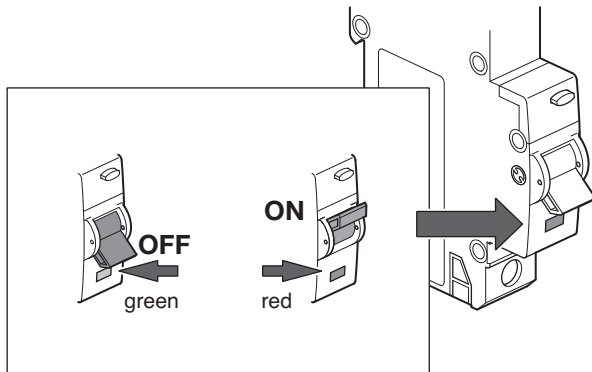
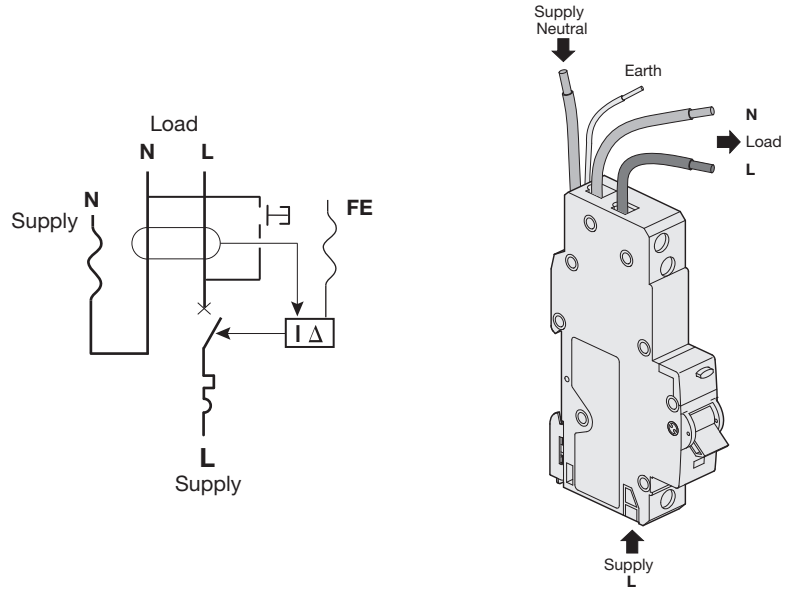
Warranty

A warranty period of 24 months is offered on hager products, from date of manufacture, relating to any material of manufacturing defect. If any product is found to be defective it must be returned via the installer and supplier (wholesaler). The warranty is withdrawn if :

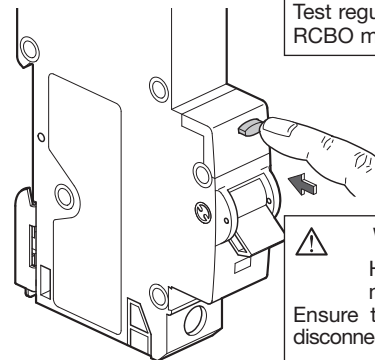
- after inspection by hager quality control dept the device is found to have been installed in a manner which is contrary to IEE wiring regulations and accepted practice within the industry at the time of installations.
- the procedure for the return of goods has not been followed.

Explanation of defect must be included when returning goods.

Electrical connection

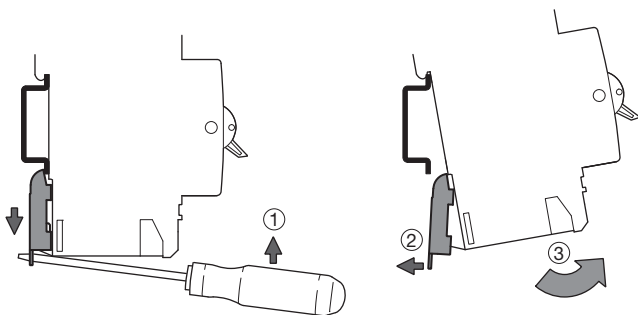


Test :



Test regularly, RCBO must trip

WARNING :
High voltage (insulation) tests may damage this product. Ensure that both flying leads are disconnected before performing tests.



Locking device for handle

