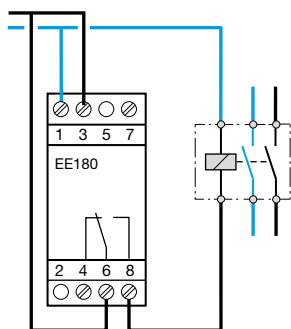


## Technical Characteristics

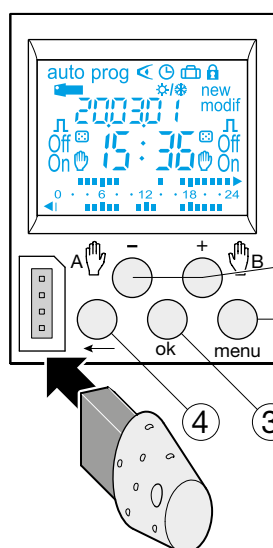
	EE180 (1 Channel)	EE181 (2 Channel)
Width in 17.5mm Modules	2	2
Supply Voltage	230V AC (+10 % / -15%, 50/60Hz)	
Number of Outputs	1	2
Characteristics of Relay	Change over contact 16A C 1 250V /10A cos phi = 0.6	
Incandescent	2300W	
230V Halogen	2300W	
Standards	CE + CTICK and CEI 60-669	
<b>Connection</b>		
Flexible	1 to 6mm <sup>2</sup>	
Rigid	1.5 to 10mm <sup>2</sup>	
<b>Environment</b>		
Storage Temperature	-20°C to +60°C	
Working Temperature	-10°C to +55°C	
IP	IP20	
<b>Functional Characteristics</b>		
Display LCD	Without backlight screen	
Operating reserve	Lithium battery 5 years	
Precision	+/- 1.5s/day	
Programming Key	Yes	
Automatic change of winter / summer time	Yes	
Functions available in free programming	Weekly programming / permanent override / temporary override	
<b>Astro Functions</b>		
Astro mode	Yes	Independent programming for each channel
Programming of the lighting interruption	Yes (if channel Astro)	
Temporary override	15 / 30 / 60min	
Maintained ON	Adjustment common to the 2 channels	
Anticipation ON	Adjustment common to the 2 channels	

Modular Devices

### Electrical Connection EE180 : 1 Channel



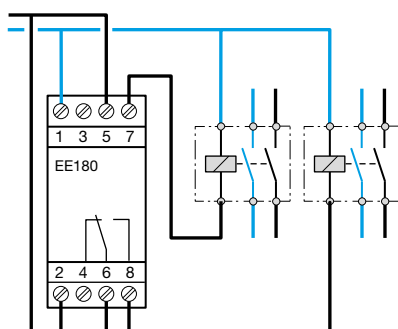
### Product Presentation



### Keys

1. Menu Selection of operating mode
- Auto Mode of running according to the program selected
- Prog New for programming mode
- Prog To modify an existing program
- ◀ Checking of the program
- ⌚ Modification of time, date and selection of the winter/summer time change mode
- Astro Astronomical mode
- ☆ Indicated that the channel is in astronomical mode
2. + / - Navigation or setting of values
- A In auto, mode, selection of overrides, waiver or random operation
- B In auto, mode, selection of overrides, waiver or random operation
3. OK To validate flashing information on display
4. ⬅ To return to the previous step

### EE181 : 2 Channels



You may return into auto mode at any moment using menu.  
If no action is taken for 1 min, the switch returns to auto mode.