

Product datasheet

Specifications



SSi encoder interface module - 3 channels - up to 31 data bits / 1 Mbauds

Local distributor code: 398049757 BMXEAE0300

EAN Code : 3595864126685

Main

| | |
|---------------------------|---|
| Range of product | Modicon X80 |
| Product or component type | Encoder interface module |
| Function available | Offset Compare Modulo Reduction Capture |
| Number of channels | 3 SSI channel |
| Number of outputs | 1 24 V DC reflex digital output for each SSI channel |
| Number of inputs | 2 24 V DC capture digital inputs for the 3 SSI channels |

Complementary

| | |
|---------------------------|--|
| Data format | 8...31 bits |
| Transmission rate | 500 kbauds 200 kbauds 1 Mbauds 100 kbauds |
| Refresh time | 1 ms |
| Input compatibility | 24 V DC SSI absolute encoder (voltage limits: 19.2...30 V) for 200 mA per channel |
| Dielectric strength | 1400 V DC 60 s |
| [Us] rated supply voltage | 19.2...30 V DC, <30 mA 24 V DC, <30 mA (typical) |
| Protection type | Overvoltage protection DC |
| Current consumption | 150 mA at 3.3 V DC for back plane, (typical) 250 mA at 3.3 V DC for back plane, (maximum) |
| Net weight | 0.138 kg |

Environment

| | |
|---------------------------------------|--|
| Ambient air temperature for operation | 0...60 °C |
| Operating altitude | 0...4000 m |
| IP degree of protection | IP20 |
| Directives | 2014/35/EU - low voltage directive 2014/30/EU - electromagnetic compatibility |
| Product certifications | CE RCM CSA |

EAC
Merchant Navy
UL

| | |
|------------------|--|
| Standards | EN/IEC 61010-2-201 EN/IEC 61131-2 UL 61010-2-201 CSA C22.2 No 61010-2-201 |
|------------------|--|

Packing Units

| | |
|-------------------------------------|----------|
| Unit Type of Package 1 | PCE |
| Number of Units in Package 1 | 1 |
| Package 1 Height | 5.5 cm |
| Package 1 Width | 11.0 cm |
| Package 1 Length | 11.5 cm |
| Package 1 Weight | 170.0 g |
| Unit Type of Package 2 | S02 |
| Number of Units in Package 2 | 15 |
| Package 2 Height | 15.0 cm |
| Package 2 Width | 30.0 cm |
| Package 2 Length | 40.0 cm |
| Package 2 Weight | 2.595 kg |

Offer Sustainability

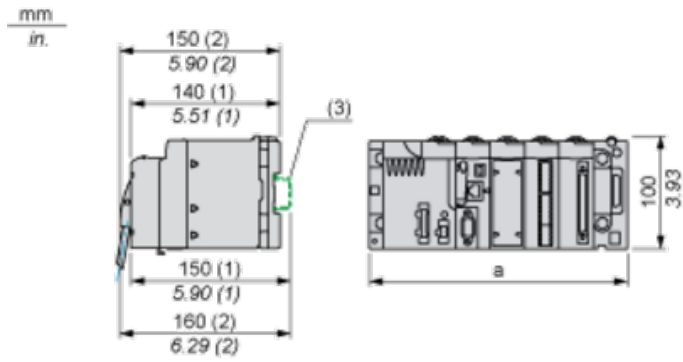
| | |
|-----------------------------------|---|
| Sustainable offer status | Green Premium product |
| REACH Regulation | REACH Declaration |
| REACH free of SVHC | Yes |
| EU RoHS Directive | Pro-active compliance (Product out of EU RoHS legal scope) EU RoHS Declaration |
| Mercury free | Yes |
| China RoHS Regulation | China RoHS declaration |
| RoHS exemption information | Yes |
| Environmental Disclosure | Product Environmental Profile |
| Circularity Profile | End of Life Information |
| WEEE | The product must be disposed on European Union markets following specific waste collection and never end up in rubbish bins |

Contractual warranty

| | |
|-----------------|-----------|
| Warranty | 18 months |
|-----------------|-----------|

Modules Mounted on Racks

Dimensions



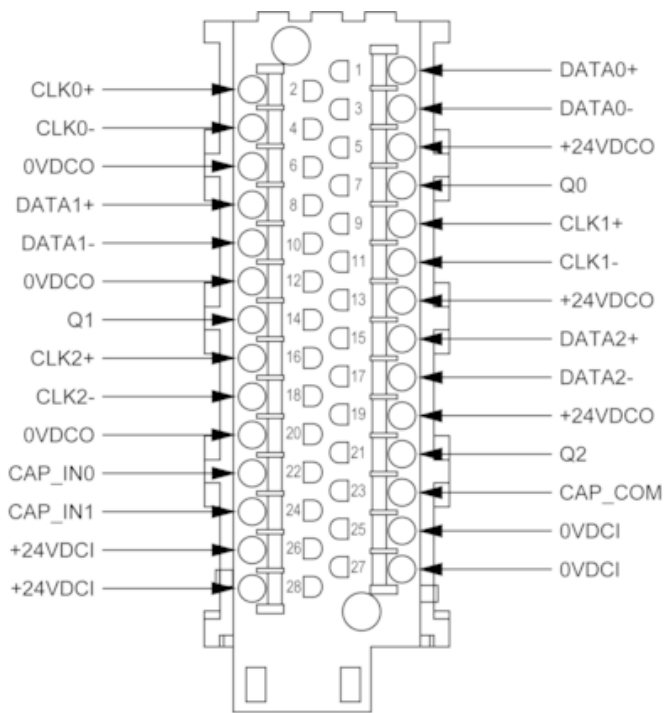
(1) With removable terminal block (cage, screw or spring).

(2) With FCN connector.

(3) On AM1 ED rail: 35 mm wide, 15 mm deep. Only possible with BMXXBP0400/0400H/0600/0600H/0800/0800H rack.

| Rack references | a in mm | a in in. |
|----------------------------|---------|----------|
| BMXXBP0400 and BMXXBP0400H | 242.4 | 09.54 |
| BMXXBP0600 and BMXXBP0600H | 307.6 | 12.11 |
| BMXXBP0800 and BMXXBP0800H | 372.8 | 14.68 |
| BMXXBP1200 and BMXXBP1200H | 503.2 | 19.81 |

Wiring Diagram



Recommended replacement(s)