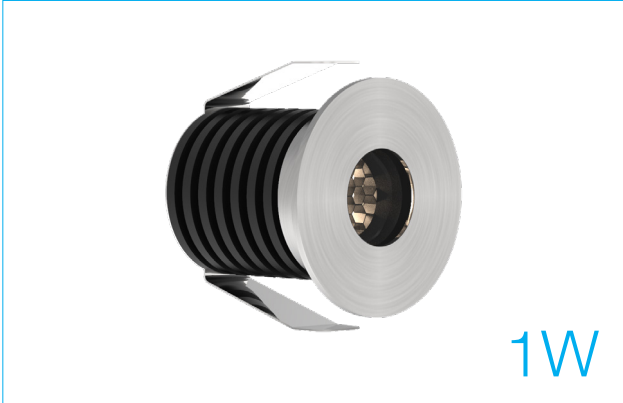


TECHNICAL DATASHEET

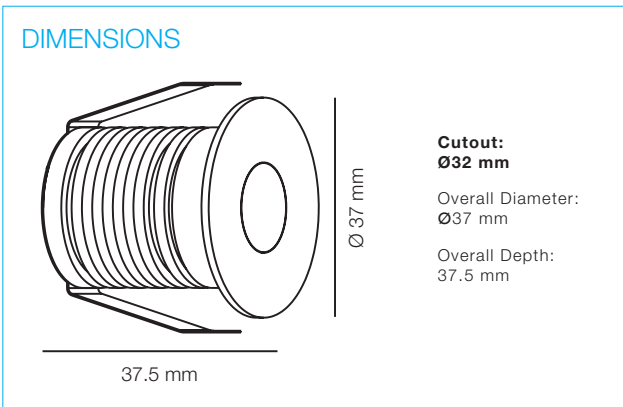
AGL032SS/**

Marine 1W Stainless Steel 316L LED IP67
Baffled Honeycomb Ground Light



PRODUCT FEATURES

- 316L Marine Grade Stainless Steel
- Honeycomb Anti-Glare Design
- Drive Over Rated (2T)
- Baffled Light Source
- Narrow Beam Angle



Product Code	AGL032SS/27	AGL032SS/30	AGL032SS/40
Bezel Material	Stainless Steel 316L	Stainless Steel 316L	Stainless Steel 316L
Rated Power	1W	1W	1W
Operating Current	350mA	350mA	350mA
CCT	2700K	3000K	4000K
CRI	>85	>85	>85
Beam Angle	15°	15°	15°
Peak Intensity	278 cd	312 cd	341 cd
Lifetime to LM70	50,000 hrs	50,000 hrs	50,000 hrs
Lumens	≤70lm	≤80lm	≤85lm
Switching Cycles	<100,000	<100,000	<100,000
Ambient Operating Temperature	-20°C to +50°C	-20°C to +50°C	-20°C to +50°C
SDCM	<6	<6	<6
Starting Time	Instant Full Light	Instant Full Light	Instant Full Light
Ingress Protection	IP67	IP67	IP67
Class	III	III	III

ALL LED AGL032SS/**

This luminaire contains built-in LED lamps.

A++
A+
A
B
C
D
E

LED

The lamps cannot be changed in the luminaire.

874/2012