

Installation Instructions: Emergency Lighting (09030/09031)

Specification

LED3W

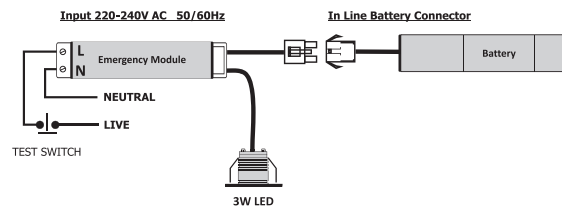
Rated Input Voltage: 220-240V AC 50/60Hz

Discharge Current 500mA

Duration 3 Hour

Maximum Ambient Temperature : 35°C

Battery LiFePO4 3.2V 1500mah



Important Information

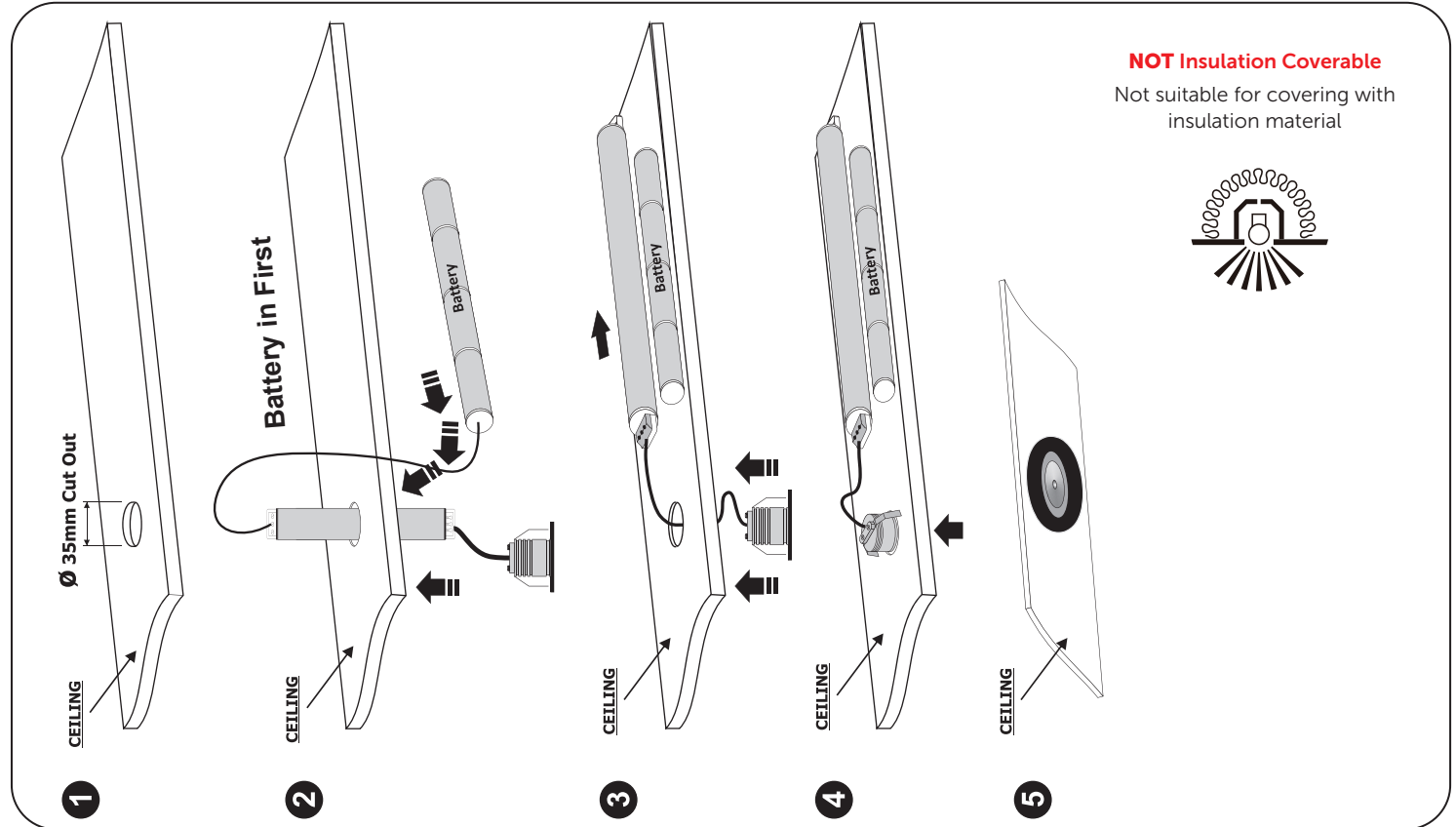
We recommend that luminaires are installed by a qualified electrician ensuring the installation complies with current IEE wiring regulations BS7671:2018 & local building control.

- All tests should be carried out in accordance to EN 50172:2004.
- BELL will not accept responsibility for any claims arising from a poor installation.
- The light source of this luminaire is not replaceable: when the light source reaches end of life, the whole luminaire must be replaced.

Important User Advice

- Ambient room temperature should not exceed 35°C.
- Operating Temperature 0°C to +35°C.
- Do not cover with any insulation.
- Ensure that there is adequate free air ventilation around the fitting.
- Always switch off mains supply before installing.
- Leave Fire rated Sheath on driver and battery pack.

Read these instructions before installation and retain for future reference



This product may contain substances that can be hazardous to the environment if not disposed of properly. Electrical and electronic equipment should never be disposed of with general household waste but must be separated for its correct treatment and recovery.

Where possible recycle your packaging.

