

### ⚠ Important Safety Notice

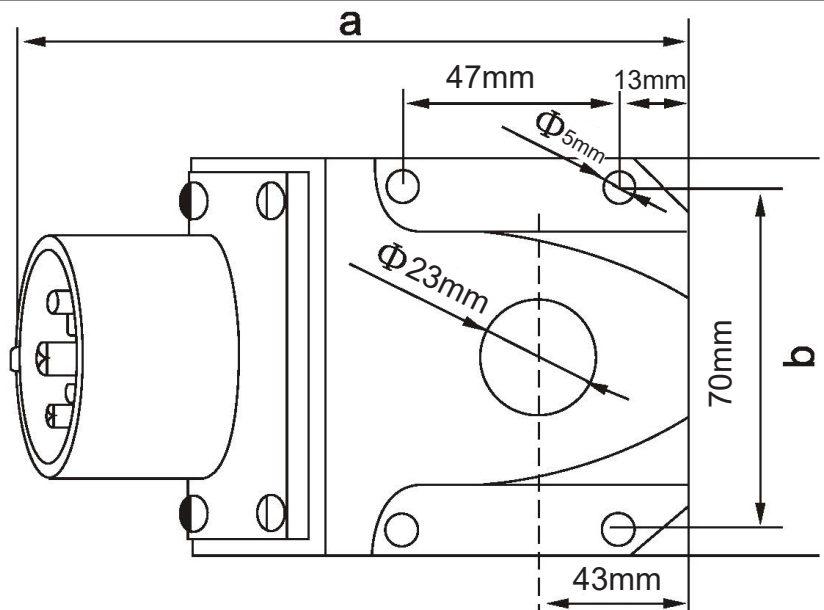
It is the responsibility of the person installing the electrical equipment to ensure that the installation meets the requirements of the IET wiring regulations and is therefore 'fit for purpose'. Factors such as correct selection of components, cable sizing, protective devices and Earth bonding are all critical and should be checked prior to full testing and power-up. Any other regulations applicable to the equipment being installed such as the Machinery Directive and current health and safety legislation must also be adhered to.

All connections (including factory made) must be checked for the correct tightness prior to commissioning of the electrical installation. All connections should be checked periodically to ensure correct tightness.

**DO NOT USE POWER TOOLS ON THESE PRODUCTS**



### Dimensions



Part Number	Amps	Colour & Voltage	Poles	Protection Degree	a (mm)	b (mm)	Cable Nominal Cross Section Area
IAP163F	16A	Yellow 110V ac	2P+E	IP44	150	80	1 - 2.5mm <sup>2</sup>
IAP323F	32A	Yellow 110V ac	2P+E	IP44	158	80	2.5 - 6mm <sup>2</sup>
IAP163P	16A	Blue 230V ac	2P+E	IP44	150	80	1 - 2.5mm <sup>2</sup>
IAP323P	32A	Blue 230V ac	2P+E	IP44	158	80	2.5 - 6mm <sup>2</sup>
IAP164N	16A	Red 415V ac	3P+E	IP44	150	80	1 - 2.5mm <sup>2</sup>
IAP324N	32A	Red 415V ac	3P+E	IP44	158	80	2.5 - 6mm <sup>2</sup>
IAP165N	16A	Red 415V ac	3P+N+E	IP44	150	80	1 - 2.5mm <sup>2</sup>
IAP325N	32A	Red 415V ac	3P+N+E	IP44	158	80	2.5 - 6mm <sup>2</sup>