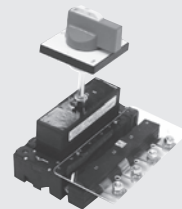


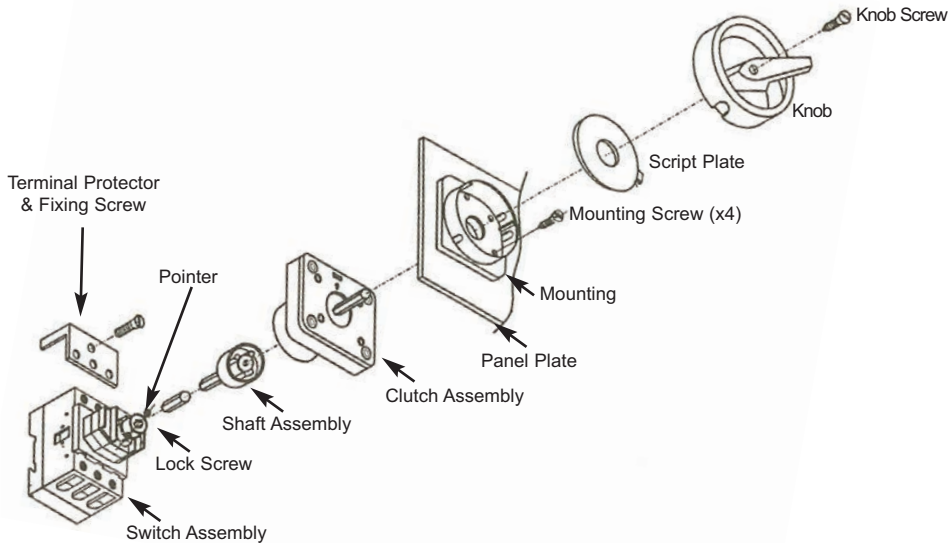
⚠ Important Safety Notice ⚠

It is the responsibility of the person installing the electrical equipment to ensure that the installation meets the requirements of the IET wiring regulations and is therefore 'fit for purpose'. Factors such as correct selection of components, cable sizing, protective devices and Earth bonding are all critical and should be checked prior to full testing and power-up. Any other regulations applicable to the equipment being installed such as the Machinery Directive and current health and safety legislation must also be adhered to.

Terminals, including factory fitted, should be checked periodically to ensure correct tightness.



Approvals			CB, CE & SEMKO					
UL Standard			UL508					
International / European Standard			IEC & EN 60947-1 and 3					
			Switch Codes					
DATA	Range	Units	LBCDI254P	LBCDI404P	LBCDI634P	LBCDI804P	LBCDI1254P	
Rated operational voltage Ue								
IEC & EN	Volts	V	690	690	690	690	690	
UL	Volts	V	600	600	600	600	600	
Main switch: Isolating voltage up to	Volts	V	750	750	750	750	750	
Rated impulse withstand voltage Uimp	Volts	kV	6	6	6	6	6	
Rated uninterrupted current Iu	Amps	A	25	40	63	80	125	
Rated operational current Ie								
IEC & EN	AC-22A	Up to 690V	A	25	40	63	80	125
	AC-21A	Up to 690V	A	32	63	80	80	125
	AC-1	Up to 690V	A	32	63	80	80	125
Rated operational power AC-23A (50-60Hz)								
IEC & EN	3 Phase	230(240)V	kW	11	22	30	37	55
		400(415)V	kW	15	30	37	45	75
		690V	kW	22	45	45	90	90
Rated operational power AC-3 (50-60Hz)								
IEC & EN	3 Phase	230(240)V	kW	7.5	15	22	30	45
		400(415)V	kW	11	18.5	22	37	55
		690V	kW	15	30	30	55	55
UL Power Rating								
DOL	3 Phase	120V	hp	3	5	7.5	5	7.5
		240V	hp	7.5	10	15	20	30
		480V	hp	15	20	25	30	40
		600V	hp	20	30	30	40	50
	1 Phase	120V	hp	1.5	3	3	3	3
		240V	hp	2	5	7.5	7.5	7.5
UL Short Circuit Ratings								
Fuse rating, class J	Amps	A	45	70	70	125	125	
Fuse rating, class RK5	Amps	A	-	-	-	-	-	
Rated Fused short circuit current	Amps	kA	10	10	10	10	10	
Short Circuit Capacity (IEC)								
Max fuse size (Type gl)	Amps	A	32	63	63	125	125	
Rated Fused short circuit current	Amps	kA	30	30	30	30	30	
Terminal Specification								
Single/ Multiple strand wire	Min-mm ²		2.5	2.5	2.5	2.5	2.5	
	Max-mm ²		10	25	25	50	50	
Fine strand with sleeve	Min-mm ²		0.75	2.5	2.5	4	4	
	Max-mm ²		6	10	10	50	50	
American wire gauge	AWG		10	6	6	1	1	
Recommended Tightening Torque	Nm		1.7	2.0	2.0	2.5	2.5	

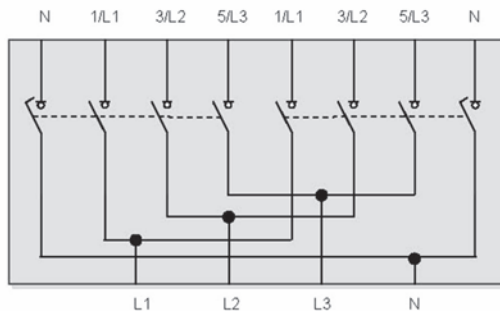


Mounting Procedure for Door Interlock Switches:

- Fix clutch assembly keeping arrows upwards and position the knob in the OFF position
- Fix the switch in-line with clutch assembly
- Cut the shaft to the appropriate length and tighten the lock screws (recommended tightening torque 1.2Nm)

Terminal Configuration

Change Over 4 Pole
(‘0’ position shown)

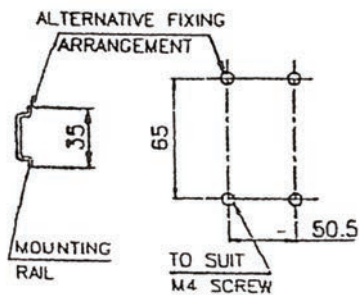
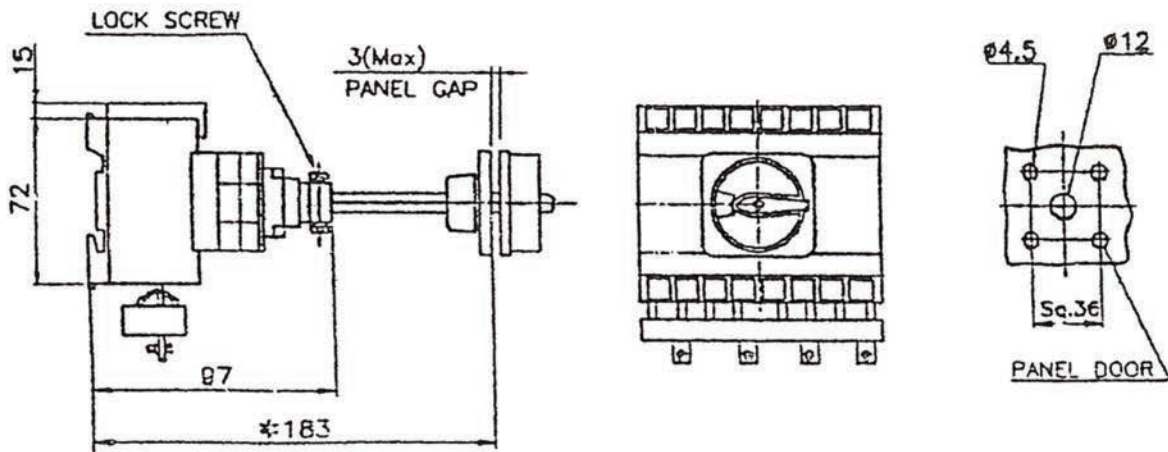


Change Over 4 Pole
Switch Program

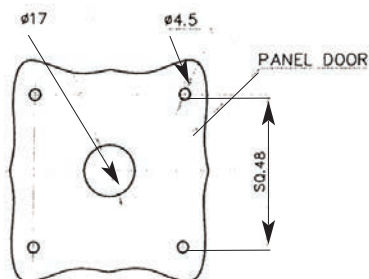
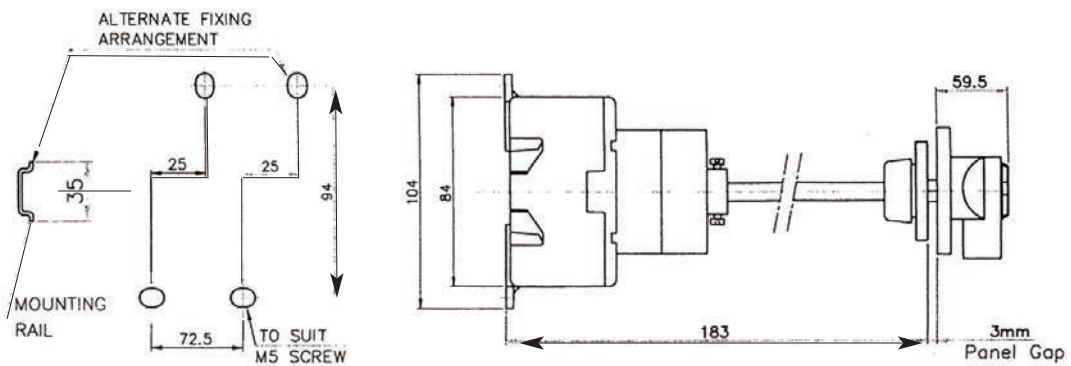
	N	1/L1	3/L2	5/L3	1/L1	3/L2	5/L3	N
I	X	X	X	X				
0								
II					X	X	X	X

Note: Neutral Contact is Early Make/Late Break

Switch Dimensions



25 to 63A



80 to 125A