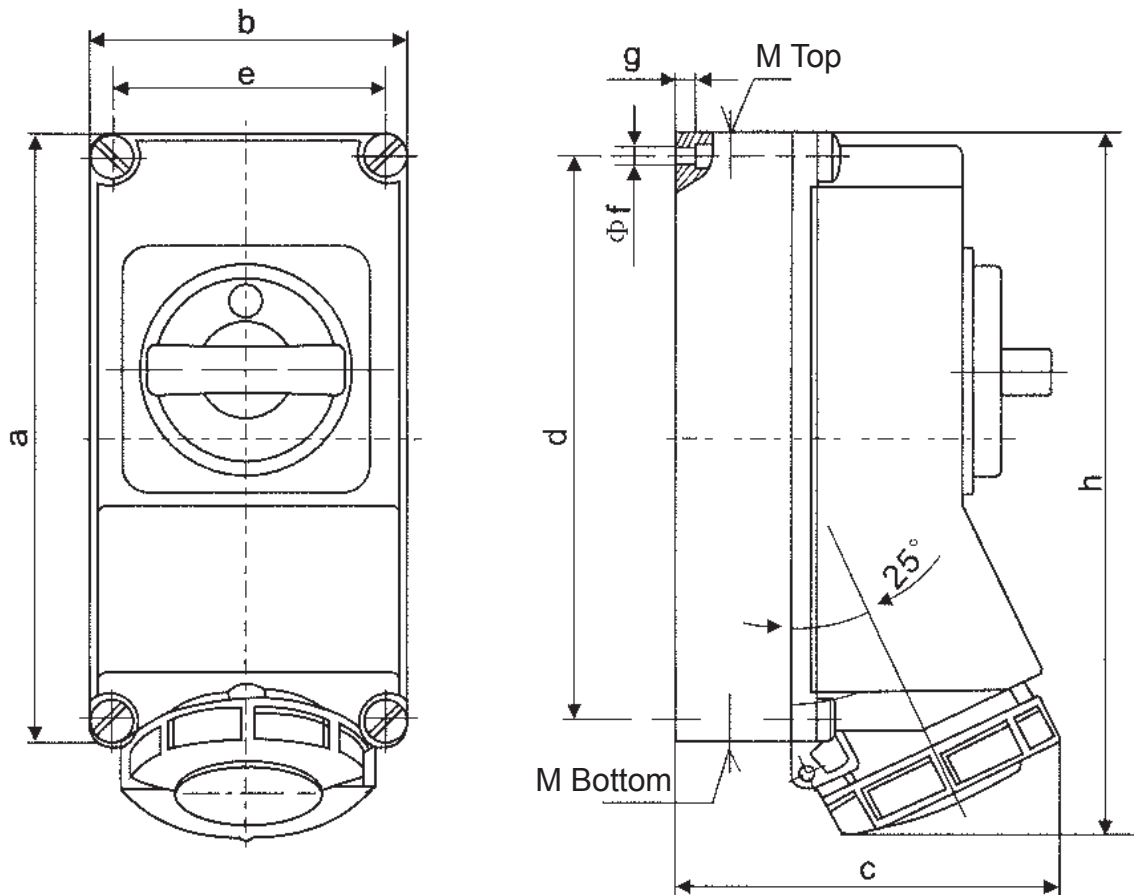




Important Safety Notice

It is the responsibility of the person installing the electrical equipment to ensure that the installation meets the requirements of the IET wiring regulations and is therefore 'fit for purpose'. Factors such as correct selection of components, cable sizing, protective devices and Earth bonding are all critical and should be checked prior to full testing and power-up. Any other regulations applicable to the equipment being installed such as the Machinery Directive and current health and safety legislation must also be adhered to. Terminals, including factory fitted, should be checked periodically to ensure correct tightness. **DO NOT USE POWER TOOLS ON THESE PRODUCTS**



Part Number	Colour & Voltage	Amps	Poles	a (mm)	b (mm)	c (mm)	d (mm)	e (mm)	f (mm)	g (mm)	h (mm)	M TOP	M BOTTOM
SISW163F	Yellow 110V	16	3	225	118	144	208	101	6.3	8	252	1 x M25 1 x M32	2 x M25
SISW163P	Blue 230V		4			146					255		
SISW164N	Red 415V		5			146					259		
SISW165N			3			146					259		
SISW323F	Yellow 110V	32	3	225	118	152	208	101	6.3	8	268	1 x M25 1 x M32	2 x M25
SISW323P	Blue 230V		4			152					268		
SISW324N	Red 415V		5			152					274		
SISW325N			3			152					274		
SISW633P	Blue 230V	63	3	262	162	196	240	140	8	300	1 x M40	2 x M40	
SISW634N	Red 415V		4			196					1 x M40		
SISW635N			5			196					1 x M40		