

Important Safety Notice

It is the responsibility of the person installing the electrical equipment to ensure that the installation meets the requirements of the IET wiring regulations and is therefore 'fit for purpose'. Factors such as correct selection of components, cable sizing, protective devices and Earth bonding are all critical and should be checked prior to full testing and power-up. Any other regulations applicable to the equipment being installed such as the Machinery Directive and current health and safety legislation must also be adhered to.

All connections (including factory made) must be checked for the correct tightness prior to commissioning of the electrical installation.

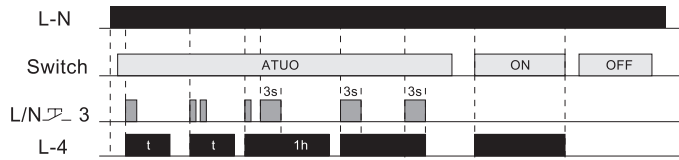
All connections should be checked periodically to ensure correct tightness.

DO NOT USE POWER TOOLS ON THESE PRODUCTS

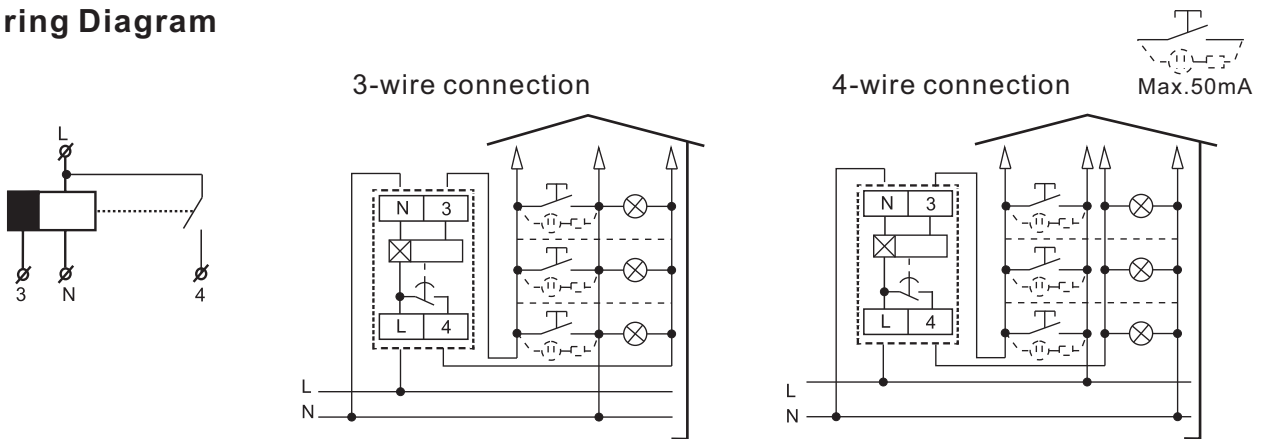


Data	
Function	delay off reacting to contact switching
Supply Terminals	L-N
Voltage Range	AC 230V(50-60Hz)
Power Input	AC max.12VA/1.9W
Supply Voltage Tolerance	-15%;+10%
Supply Indication	green LED
Time Ranges	AUTO:0.5s-20min ON OFF
Time Setting	potentionmeter
Time Deviation	5%-mechanical setting
Repeat Accuracy	0.2%-set value stability
Minimum Power Time	200ms
Neon Indicator Connections	Yes (N-3 or L-3)
Max Amount Of Glow Lamps	230V,max.75pcs(Measured with glow lamp 0.68mA/230V AC)
Temperature Coecient	0.05%/°C, at=20°C(0.05%°F, at=68°F)
Output	1×SPST
Current Rating	16A/ AC1
Switching Voltage	250VAC/24VDC
Min Breaking Capacity Dc	500mW
Output Indication	red LED
Mechanical Life	1×10 ⁷
Electrical Life (Ac1)	1×10 ⁶
Reset Time	max 200ms
Operating Temperature	-20°C to +55°C (-4°F to 131°F)
Storage Temperature	-35°C to +75°C(-22°F to 158°F)
Mounting/Din Rail	Din rail EN/IEC 60715
Protection Degree	IP40 for front panel / IP20 terminals
Operating Position	any
Overvoltage Category	III.
Pollution Degree	2
Max Cable Size Mm ²	solid wire max.1×2.5or 2×1.5/with sleeve max.1 × 2.5 (AWG 12)
Dimensions	90 × 18 × 64mm
Weight	86g
Standards	IEC/EN 60669-2-3, IEC/EN61010-1

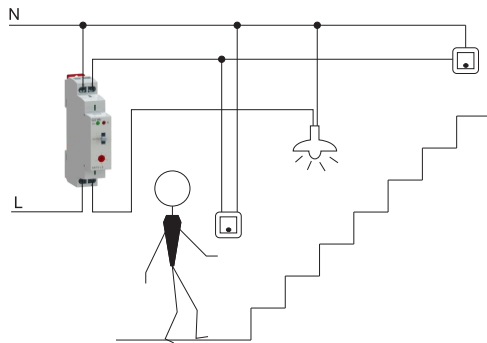
Functions Diagram



Wiring Diagram



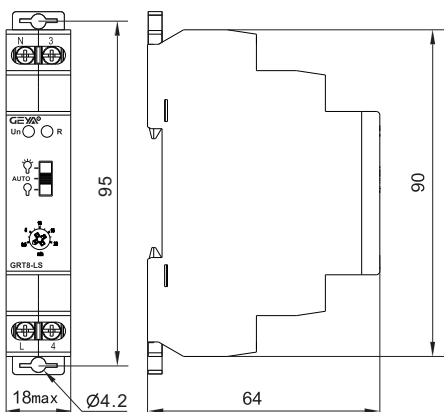
Example



Types of lamps

2000W	2000W	1000W	900W(125uF)	400W

Dimensions(mm)



Panel Diagram

