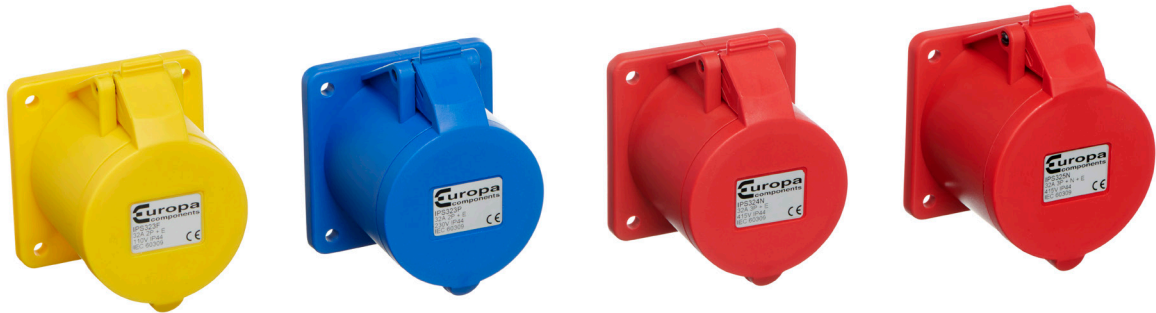


### ⚠ Important Safety Notice

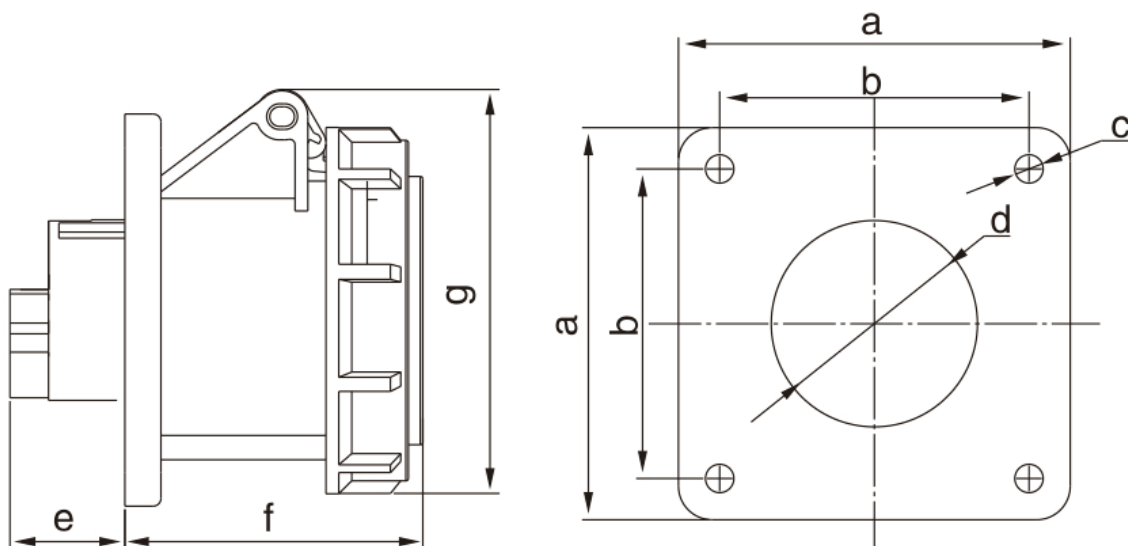
It is the responsibility of the person installing the electrical equipment to ensure that the installation meets the requirements of the IET wiring regulations and is therefore 'fit for purpose'. Factors such as correct selection of components, cable sizing, protective devices and Earth bonding are all critical and should be checked prior to full testing and power-up. Any other regulations applicable to the equipment being installed such as the Machinery Directive and current health and safety legislation must also be adhered to.

All connections (including factory made) must be checked for the correct tightness prior to commissioning of the electrical installation. All connections should be checked periodically to ensure correct tightness.

**DO NOT USE POWER TOOLS ON THESE PRODUCTS**



### Dimensions



Part Number	Amps	Colour & Voltage	Poles	Protection Degree	Cable Nominal Cross Section Area	Dimensions (mm)						
						A	B	C $\varnothing$	D $\varnothing$	E	F	G
IPS163F	16A	Yellow	2P + E	IP44	1 - 2.5mm <sup>2</sup>	76	60	5.5	40	20	55	85
		110V ac										
IPS323F	32A	Yellow	2P + E	IP44	2.5 - 6mm <sup>2</sup>	76	60	5.5	65	24	66	90
		110V ac										
IPS163P	16A	Blue	2P + E	IP44	1 - 2.5mm <sup>2</sup>	76	60	5.5	40	20	55	85
		230V ac										
IPS323P	32A	Blue	2P + E	IP44	2.5 - 6mm <sup>2</sup>	76	60	5.5	65	24	66	90
		230V ac										
IPS164N	16A	Red	3P + E	IP44	1 - 2.5mm <sup>2</sup>	76	60	5.5	56	20	55	85
		415V ac										
IPS324N	32A	Red	3P + E	IP44	2.5 - 6mm <sup>2</sup>	76	60	5.5	65	24	66	90
		415V ac										
IPS165N	16A	Red	3P + N + E	IP44	1 - 2.5mm <sup>2</sup>	76	60	5.5	63	18	55	85
		415V ac										
IPS325N	32A	Red	3P + N + E	IP44	2.5 - 6mm <sup>2</sup>	76	60	5.5	70	24	66	95
		415V ac										