

⚠ Important Safety Notice ⚠

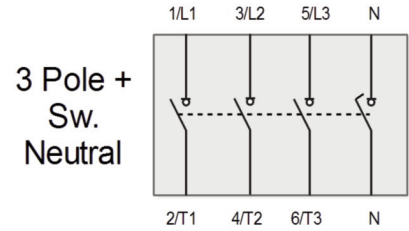
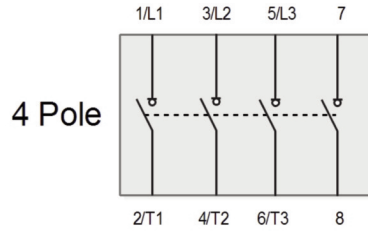
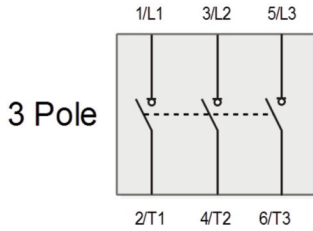
It is the responsibility of the person installing the electrical equipment to ensure that the installation meets the requirements of the IET wiring regulations and is therefore 'fit for purpose'. Factors such as correct selection of components, cable sizing, protective devices and Earth bonding are all critical and should be checked prior to full testing and power-up. Any other regulations applicable to the equipment being installed such as the Machinery Directive and current health and safety legislation must also be adhered to. Terminals, including factory fitted, should be checked periodically to ensure correct tightness.



DO NOT USE POWER TOOLS ON THESE PRODUCTS

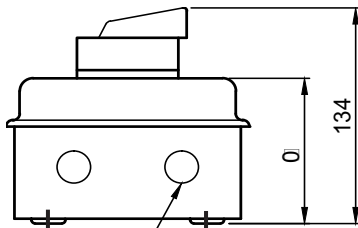
Approvals			CB, CE & SEMKO					
UL Standard			UL508					
International/European Standard			IEC & EN 60947-1 and 3					
Switch Codes								
DATA	Range	Units	LB253PSTB LB254PSTB LB253PSNSTB	LB323PSTB LB324PSTB LB323PSNSTB	LB403PSTB LB404PSTB LB403PSNSTB	LB633PSTB LB634PSTB LB633PSNSTB	LB803PSTB LB804PSTB LB803PSNSTB	
Rated operational voltage U_e								
IEC & EN	Volts	V	690	690	690	690	690	
UL	Volts	V	600	600	600	600	600	
Main switch: Isolating voltage up to	Volts	V	750	750	750	750	750	
Rated impulse withstand voltage U _{imp}	Volts	kV	6	6	6	6	6	
Rated uninterrupted current I _u	Amps	A	20	25	32	40	63	
Rated operational current I_e								
IEC & EN	AC-22A	Up to 690V	A	20	25	32	40	63
	AC-21A	Up to 690V	A	25	32	40	63	80
	AC-1	Up to 690V	A	25	32	40	63	80
Rated operational power AC-23A (50-60Hz)								
IEC & EN	3 Phase	230(240)V	kW	7.5	11	15	22	30
		400(415)V	kW	11	15	18.5	30	37
		690V	kW	15	22	22	45	45
Rated operational power AC-3 (50-60Hz)								
IEC & EN	3 Phase	230(240)V	kW	5.5	7.5	11	15	22
		400(415)V	kW	7.5	11	11	18.5	22
		690V	kW	11	15	15	30	30
UL Power Rating								
DOL	3 Phase	120V	hp	1.5	3	3	5	7.5
		240V	hp	3	7.5	7.5	10	15
		480V	hp	7.5	15	20	20	25
		600V	hp	10	20	25	30	30
	1 Phase	120V	hp	0.5	1.5	2	3	3
		240V	hp	1.5	2	3	5	7.5
UL Short Circuit Ratings								
Fuse rating, class J	Amps	A	-	45	45	70	70	
Fuse rating, class RK5	Amps	A	20	-	-	-	-	
Rated Fused short circuit current	Amps	kA	10	10	10	10	10	
Short Circuit Capacity (IEC)								
Max fuse size (Type gl)	Amps	A	20	32	32	63	63	
Rated Fused short circuit current	Amps	kA	5	30	30	30	30	
Terminal Specification								
Single/ Multiple strand wire	Min-mm ²		2.5	2.5	2.5	2.5	2.5	
	Max-mm ²		10	10	10	25	25	
Fine strand with sleeve	Min-mm ²		0.75	0.75	0.75	2.5	2.5	
	Max-mm ²		6	6	6	10	10	
American wire gauge	AWG		10	10	10	6	6	
Recommended Tightening Torque	Nm		1.7	1.7	1.7	2.0	2.0	

Terminal Configuration

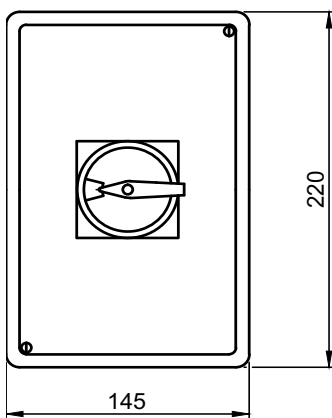


Note: Neutral Contact is early make/late break

Enclosure Dimensions:



knockouts
 4 x 20mm
 2 x top
 2 x bottom



4 holes
 5.5mm diameter

