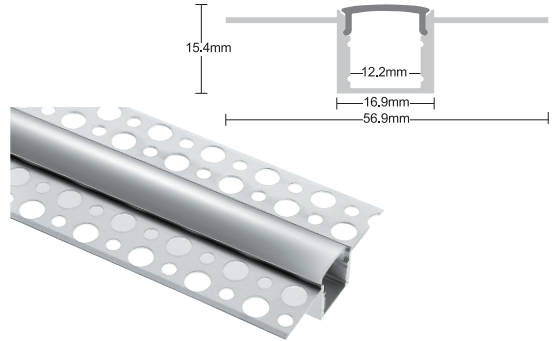
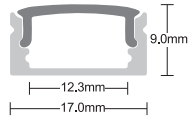


Extrusion

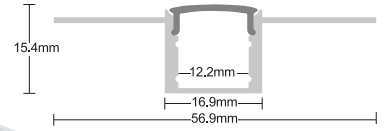
80497, 80498, 80499, 80500, 80501



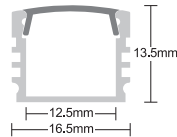
80497
Surface profile-slim



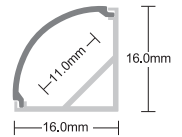
80500
Plaster-in profile



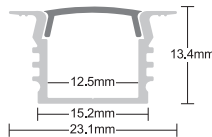
80498
Surface profile



80501
Corner profile



80499
Recessed profile



Thank you for purchasing this accessory. Please read the instructions carefully before use to ensure safe and satisfactory operation of this product. Please retain these instructions for future reference.

Specification

Dimensions: 80497: 2000mm x 17mm x 9mm

80498: 2000mm x 16.5mm x 13.5mm

80499: 2000mm x 23.1mm x 13.4mm

80500: 2000mm x 56.9mm x 15.4mm

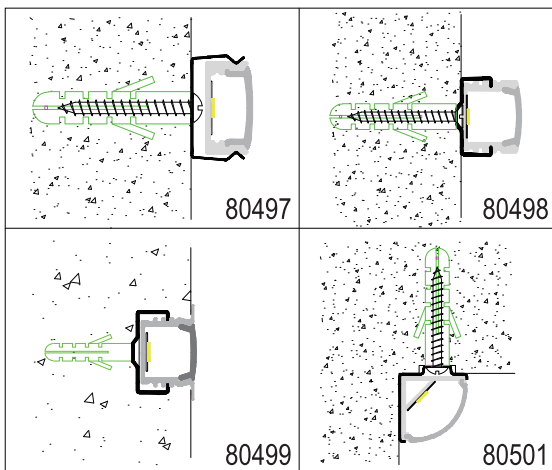
80501: 2000mm x 16mm x 16mm

Please Note

- These profiles are designed for use with the following LED kits:
79315 : Trocken Tape 5m IP20 3000K 79316 : Trocken Tape 5m IP20 4000K
79317 : Regen Tape 5m IP65 3300K 79318 : Regen Tape 5m IP65 4000K
- Please check other LED module dimensions before installing into these profiles.

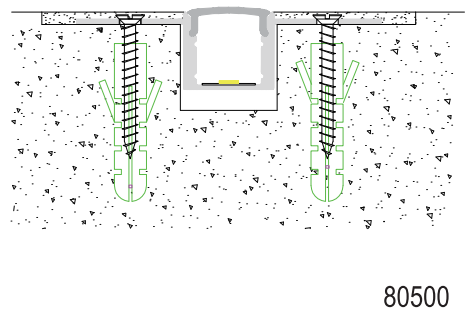
Installation (for 80497/80498/80499/80501)

- Choose an ideal place to mount the profile.
- Remove the 4 brackets from the fixing pack.
- Using the brackets as templates, mark and drill the position of the fixing holes.
- Ensure the mounting structure is capable of holding the weight of the product. Take care to avoid damaging any concealed wiring and pipes.
- Attach both brackets to the chosen mounting surface using the provided screws.
- Remove the backing off of the chosen LED module strip and stick down inside the aluminium profile.
- Attach diffuser to the profile, sliding into the profile grooves.
- Place end caps onto the ends of the fitting.
- Push profile onto the brackets to secure.
- Your fitting is now ready for use.



Installation (for 80500)

- Using the aluminium profile as templates, mark and drill the position of the fixing holes.
- Ensure the mounting structure is capable of holding the weight of the product. Take care to avoid damaging any concealed wiring and pipes.
- Remove the backing off of the chosen LED module strip and stick down inside the aluminium profile.
- Attach diffuser to the profile, sliding into the profile grooves.
- Place end caps onto the ends of the fitting.
- Push the aluminum profile into the existing groove. Then use screws to fix the aluminum profile to the wall
- Cemented the sides of the aluminum profile.



Care & Cleaning

We recommend cleaning with a soft dry cloth.
Do not use solvents or abrasive cleaners as these could damage the finish.

Recycling advice



Waste electrical products should not be disposed of with household waste. Please recycle where facilities exist. Check with your Local Authority or retailer for recycling advice.

Safety information

For your safety, always switch off the power supply before cleaning.

V2 17072019