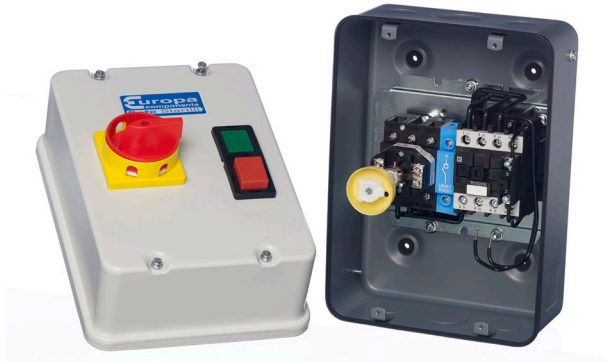


Europa components

Safe Start

Direct On Line Motor Starters With Isolator



The Europa Safe Start direct on line motor starter (DOL) is designed to switch a single or three phase induction motor at rated voltage; it comprises of a 3P + Sw. neutral isolator (Padlockable in the OFF position), steel enclosure, contactor, start contact, link wires and stop / start buttons.

Various factors should be considered when selecting the correct DOL. The size of unit is dictated by the motor that is being supplied. Lid: RAL 7035 / Base: RAL 7012

Europa Safe Start DOL's with isolator will accept the range of TA8 side mounting auxiliaries (Page 78).

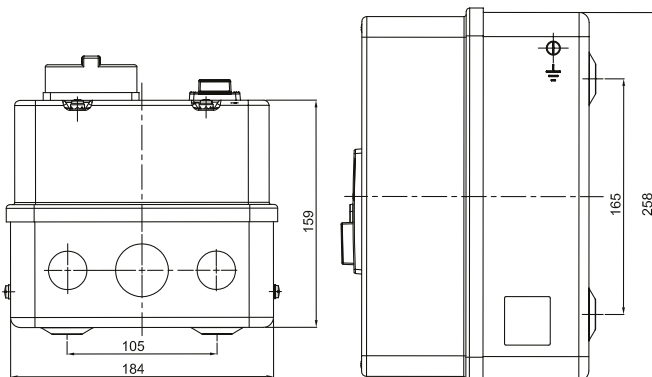
Please Note: Overload relays must be ordered separately (Page 77). **NB:** The overload relay setting must not exceed the contactor rating

Metal Enclosure 2 Button 240V DOL + Isolator (IP54)

Part Number	Description	Price	Per
BE2-D123U7	12A 5.5kW 240V AC Coil	£171.69	1
BE2-D253U7	25A 11kW 240V AC Coil	£193.60	1

Metal Enclosure 2 Button 415V DOL + Isolator (IP54)

Part Number	Description	Price	Per
BE2-D123N7	12A 5.5kW 415V AC Coil	£171.69	1
BE2-D253N7	25A 11kW 415V AC Coil	£193.60	1



Reversing Starters

Metal Clad Reversing Starters (IP54)



With or without isolator / 5.5 & 11kW starter ratings
Compact design / Cover: RAL 7035 / Base: RAL 7012
Standard coil voltages: 230V or 415V 50/60Hz
Suitable for 3 phase motors only

Overload Relays must be ordered separately (Page 77). The overload relay setting must not exceed the contactor rating

Part Number	Description	Price	Per
MS-DOLRS5.5P7MC	12A 5.5kW 230V AC Coil	£135.68	1
MS-DOLRS5.5N7MC	12A 5.5kW 415V AC Coil	£135.68	1
MS-DOLRS11P7MC	25A 11kW 230V AC Coil	£197.74	1
MS-DOLRS11N7MC	25A 11kW 415V AC Coil	£197.74	1
MS-DOLRS5.5P7ISOMC	Reversing Starter + ISO 12A 5.5kW 230V AC Coil	£177.71	1
MS-DOLRS5.5N7ISOMC	Reversing Starter + ISO 12A 5.5kW 415V AC Coil	£177.71	1
MS-DOLRS11P7ISOMC	Reversing Starter + ISO 25A 11kW 230V AC Coil	£221.97	1
MS-DOLRS11N7ISOMC	Reversing Starter + ISO 25A 11kW 415V AC Coil	£217.82	1

PC & Metal Clad DOL Starter Dimensions (mm)

Type	Height (mm)	Width (mm)	Depth (mm)	Depth (Inc Switch) (mm)
Without Isolator	250	180	165	-
With Isolator	240	310	165	200