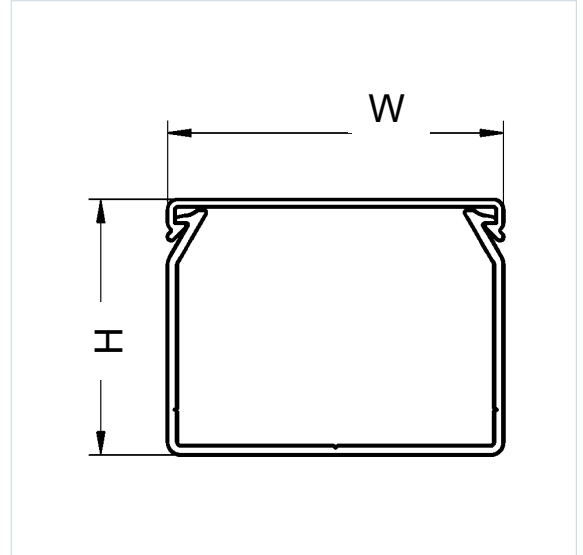
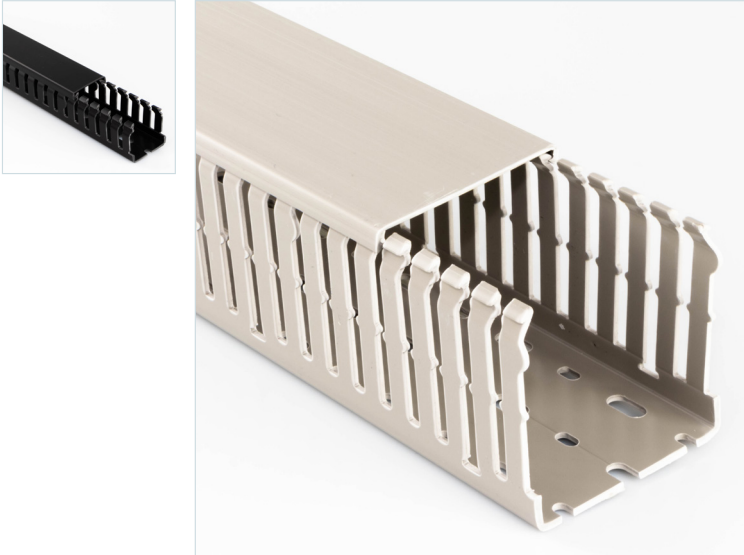


Betaduct PVC Open Slot Cable Trunking



Specification

| | |
|-------------------------------|------------------------------|
| Material | Rigid PVC 9051 LF |
| Colour | Grey RAL7030, Black RAL9005 |
| Operating Temp | -5°C to +60°C |
| Volume Resistivity | 1 E15 Ohm. cm |
| Dielectric Strength | 15 kV/mm |
| Flame Resistance | V0 UL94 |
| Tensile Strength | >40 MPa |
| Ultimate Elongation | >160% |
| Fire Rating | DIN 5510-2 S3-SR1-ST2 |
| Weather Resistance | Good |
| Stabilization | Calcium / Zinc |
| Glow Wire Flammability | +960°C EN 60695-2-11 |
| UL Recognised | UL 1565 E509564 |
| CSA Recognised | CSA-C22.2 No. 18.5 E509564 |

Key Features

- Lightweight and self-extinguishing
- Excellent rigidity and performance characteristics
- Easy installation
- Base holes to EN 50085-2-3*
*100mm height base holes to DIN 43659-1
- Break points on fingers and base
- Secure clip on lid
- Supplied in 2m lengths

Spare lids available

White PVC open slot trunking available on request.











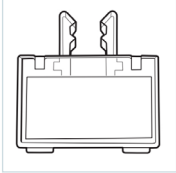
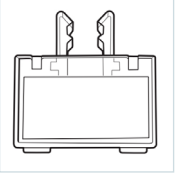


| Part Number | | Nominal External (mm) | | Lengths Per Pack | Quantity Per Pack (m) |
|-------------|-----------|-----------------------|-------|------------------|-----------------------|
| Grey | Black | Height | Width | | |
| 10450022Y | 09810000Y | 37.5 | 25 | 12 | 24 |
| 10450023Y | 09130000Y | 50 | 25 | 12 | 24 |
| 10450024Y | 09140000Y | 75 | 25 | 8 | 16 |
| 10450032Y | 09840000Y | 37.5 | 37.5 | 12 | 24 |
| 10450033Y | 09850000Y | 50 | 37.5 | 8 | 16 |
| 10450034Y | 09860000Y | 75 | 37.5 | 8 | 16 |

Betaduct PVC Open Slot Cable Trunking

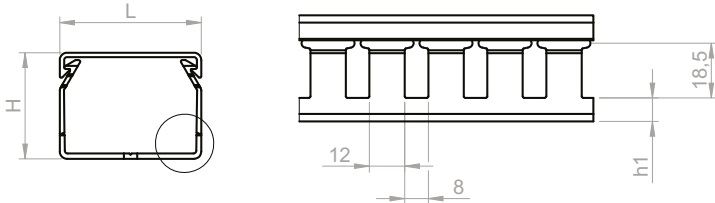
| Part Number | | Nominal External (mm) | | Lengths Per Pack | Quantity Per Pack (m) |
|-------------|-----------|-----------------------|-------|------------------|-----------------------|
| Grey | Black | Height | Width | | |
| 10450052Y | 09890000Y | 37.5 | 50 | 8 | 16 |
| 10450053Y | 09160000Y | 50 | 50 | 8 | 16 |
| 10450054Y | 09170000Y | 75 | 50 | 8 | 16 |
| 10450055Y | 09920000Y | 100 | 50 | 4 | 8 |
| 10450073Y | 09940000Y | 50 | 75 | 8 | 16 |
| 10450074Y | 09190000Y | 75 | 75 | 8 | 16 |
| 10450075Y | 09960000Y | 100 | 75 | 4 | 8 |
| 10450103Y | 09980000Y | 50 | 100 | 4 | 8 |
| 10450104Y | 09990000Y | 75 | 100 | 4 | 8 |
| 10450105Y | 10000000Y | 100 | 100 | 4 | 8 |
| 10450124Y | 09410000Y | 75 | 125 | 4 | 8 |
| 10450155Y | 10020000Y | 100 | 150 | 4 | 8 |

You might also need...

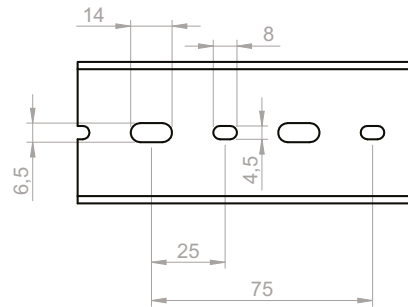
| | | | | | |
|--|--|---|--|---|---|
| <p>EDC1</p>  <p>Betaduct Trunking Cutting Tool</p> <ul style="list-style-type: none"> • Blade W: 21.5mm • Cutting D: 50mm | <p>BETADUCT-CUTTER</p>  <p>Betaduct Trunking Cutting Tool</p> <ul style="list-style-type: none"> • Cuts up to 125mm | <p>EDC 2</p>  <p>Betaduct Trunking Cutting Tool</p> <ul style="list-style-type: none"> • Cuts up to 110mm | <p>1857</p>  <p>Betaduct Trunking Cutting Tool</p> <ul style="list-style-type: none"> • Ideal for cutting slots in trunking | <p>RT4 or RT6</p>  <p>Betaduct Trunking Rivet Tools</p> <ul style="list-style-type: none"> • 4.5mm (RT4) • 6.5mm (RT6) | <p>DUCTAFIX R4 or R6</p>  <p>Betaduct Trunking Rivets</p> <ul style="list-style-type: none"> • 4mm (R4) • 6mm (R6) |
| <p>10440000</p>  <p>Betaduct Insulating Washers</p> <ul style="list-style-type: none"> • Black • Pack of 50 | <p>RC1</p>  <p>Retaining Clip For Narrow Trunking</p> <ul style="list-style-type: none"> • 53mm x 66mm • Pack of 50 | <p>BC1</p>  <p>HF Bridging Clip For Narrow Trunking</p> <ul style="list-style-type: none"> • 22.5mm x 105mm • Pack of 50 | <p>BC2</p>  <p>HF Bridging Clip For Narrow Trunking</p> <ul style="list-style-type: none"> • 24mm x 108mm • Pack of 50 | <p>LH1</p>  <p>Label Holder For Narrow Trunking</p> <ul style="list-style-type: none"> • 25.5mm x 13mm • Pack of 50 | <p>LH2</p>  <p>Label Holder For Narrow Trunking</p> <ul style="list-style-type: none"> • 38mm x 19mm • Pack of 50 |

Betaduct PVC Open Slot Cable Trunking

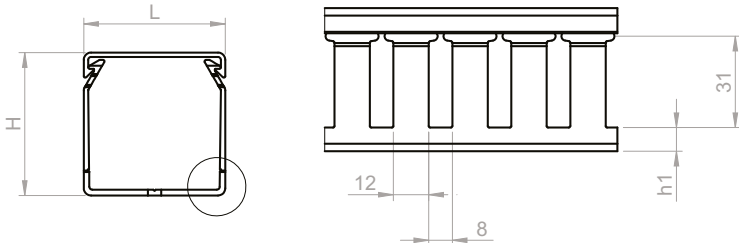
H = 37.5 mm



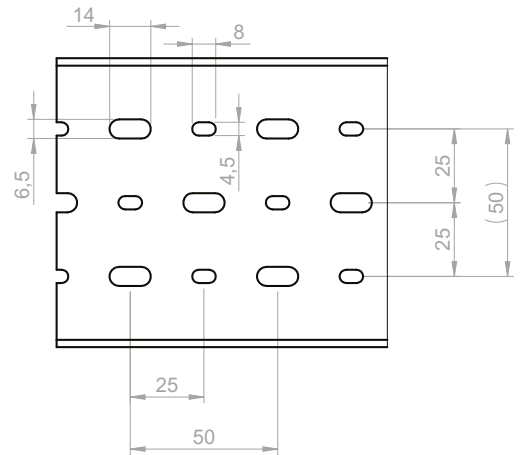
W = 25 mm / 37.5 mm / 50 mm



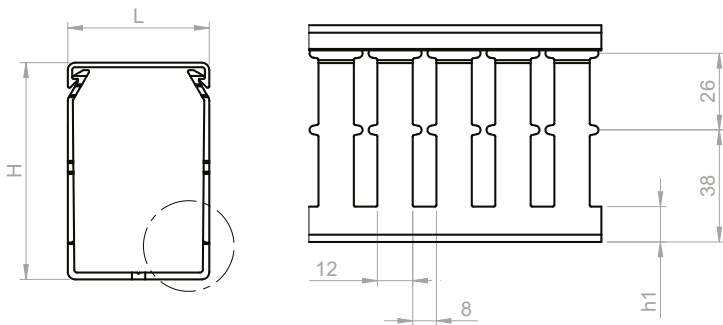
H = 50 mm



W = 75 mm / 100 mm / 125 mm

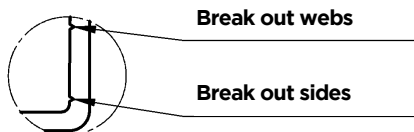


H = 75 mm



Base punching to EN 50085-2-3

| H (mm) | 37.5 | 50 | 75 |
|---------|------|----|----|
| h1 (mm) | 8 | 8 | 12 |



Betaduct Trunking Capacity Chart

| Trunking Nominal External Width x Height (mm) | Internal Cross Sectional Area (mm ²) | At 50% Packing Density (mm ²) | Cable Cross Sectional Area (mm ²) Tri-Rated Cable BS6231 | | | | | | | | | | | | | | | |
|---|--|---|--|------|------|------|------|------|------|-------|-------|-------|-------|-------|-------|-------|----|--|
| | | | Cable Diameter (mm) | | | | | | | | | | | | | | | |
| | | | 0.50 | 0.75 | 1.00 | 1.50 | 2.50 | 4.00 | 6.00 | 10.00 | 16.00 | 25.00 | 35.00 | 50.00 | 70.00 | 95.00 | | |
| 25 x 37.5 | 608 | 304 | 55 | 48 | 43 | 35 | 28 | 19 | 16 | 9 | 4 | 3 | 2 | 1 | 1 | 1 | 1 | |
| 25 x 50 | 836 | 418 | 76 | 66 | 59 | 48 | 38 | 27 | 22 | 12 | 6 | 4 | 3 | 2 | 1 | 1 | 1 | |
| 25 x 75 | 1311 | 655.5 | 120 | 104 | 92 | 76 | 60 | 43 | 34 | 19 | 10 | 7 | 5 | 3 | 3 | 2 | 2 | |
| 37.5 x 37.5 | 1024 | 512 | 94 | 81 | 72 | 59 | 47 | 33 | 27 | 15 | 7 | 5 | 4 | 2 | 2 | 1 | 1 | |
| 37.5 x 50 | 1408 | 704 | 129 | 111 | 99 | 82 | 65 | 46 | 37 | 21 | 10 | 8 | 6 | 4 | 3 | 2 | 2 | |
| 37.5 x 75 | 2208 | 1104 | 203 | 175 | 156 | 129 | 102 | 72 | 58 | 33 | 17 | 12 | 9 | 6 | 5 | 3 | 3 | |
| 50 x 37.5 | 1408 | 704 | 129 | 111 | 99 | 82 | 65 | 46 | 37 | 21 | 10 | 8 | 6 | 4 | 3 | 2 | 2 | |
| 50 x 50 | 1936 | 968 | 178 | 153 | 136 | 113 | 90 | 63 | 51 | 29 | 15 | 11 | 8 | 5 | 4 | 3 | 3 | |
| 50 x 75 | 3036 | 1518 | 279 | 241 | 214 | 177 | 141 | 99 | 80 | 45 | 23 | 17 | 13 | 8 | 7 | 5 | 5 | |
| 50 x 100 | 4136 | 2068 | 380 | 328 | 292 | 241 | 192 | 136 | 109 | 62 | 32 | 23 | 18 | 12 | 9 | 7 | 7 | |
| 75 x 37.5 | 2208 | 1104 | 203 | 175 | 156 | 129 | 102 | 72 | 58 | 33 | 17 | 12 | 9 | 6 | 5 | 3 | 3 | |
| 75 x 50 | 3036 | 1518 | 279 | 241 | 214 | 177 | 141 | 99 | 80 | 45 | 23 | 17 | 13 | 8 | 7 | 5 | 5 | |
| 75 x 75 | 4761 | 2380.5 | 438 | 378 | 336 | 278 | 221 | 156 | 126 | 71 | 37 | 27 | 21 | 13 | 11 | 8 | 8 | |
| 75 x 100 | 6486 | 3243 | 596 | 515 | 458 | 379 | 301 | 213 | 171 | 97 | 50 | 37 | 29 | 18 | 15 | 11 | 11 | |
| 100 x 50 | 4136 | 2068 | 380 | 328 | 292 | 241 | 192 | 136 | 109 | 62 | 32 | 23 | 18 | 12 | 9 | 7 | 7 | |
| 100 x 75 | 6486 | 3243 | 596 | 515 | 458 | 379 | 301 | 213 | 171 | 97 | 50 | 37 | 29 | 18 | 15 | 11 | 11 | |
| 100 x 100 | 8836 | 4418 | 813 | 702 | 625 | 516 | 410 | 290 | 234 | 133 | 68 | 50 | 39 | 25 | 20 | 16 | 16 | |
| 150 x 100 | 13536 | 6768 | 1245 | 1075 | 957 | 791 | 629 | 445 | 358 | 203 | 105 | 77 | 60 | 39 | 31 | 24 | 24 | |
| 125 x 75 | 8142 | 4071 | 749 | 647 | 575 | 475 | 378 | 267 | 215 | 122 | 63 | 46 | 36 | 23 | 18 | 14 | 14 | |

*UL application fill rates may vary, more information is available on request.