

# Product datasheet

Specifications



inductive sensor XS4 M12 - L33mm  
- PPS - Sn4mm - 12..24VDC - cable  
2m

Local distributor code: 386330041 XS4P12PC410

EAN Code : 3389110919295

## Main

|                                    |  |
|------------------------------------|--|
| Range of product                   | Telemecanique Inductive proximity sensors XS         |
| Series name                        | General purpose                                      |
| Sensor type                        | Inductive proximity sensor                           |
| Sensor name                        | XS4  |
| Sensor design                      | Cylindrical M12                                      |
| Size                               | 37 mm  |
| Body type                          | Fixed  |
| Detector flush mounting acceptance | Non flush mountable                                  |
| Material                           | Plastic  |
| Type of output signal              | Discrete   |
| Wiring technique                   | 4-wire   |
| [Sn] nominal sensing distance      | 4 mm   |
| Discrete output function           | 1 NO + 1 NC  |
| Output circuit type                | DC   |
| Discrete output type               | PNP  |
| Electrical connection              | Cable  |
| Cable length                       | 2 m  |
| [Us] rated supply voltage          | 12...24 V DC with reverse polarity protection        |
| Switching capacity in mA           | <= 200 mA with overload and short-circuit protection |
| IP degree of protection            | IP68 double insulation conforming to IEC 60529       |

## Complementary

|                     |               |
|---------------------|---------------|
| Thread type         | M12 x 1       |
| Detection face      | Frontal       |
| Front material      | PPS           |
| Enclosure material  | PPS           |
| Operating zone      | 0...3.2 mm    |
| Differential travel | 1...15% of Sr |

|                                 |                              |
|---------------------------------|------------------------------|
| <b>Cable composition</b>        | 4 x 0.22 mm <sup>2</sup>     |
| <b>Wire insulation material</b> | PVC                          |
| <b>Status LED</b>               | Output state: 1 LED (yellow) |
| <b>Supply voltage limits</b>    | 10...36 V DC                 |
| <b>Switching frequency</b>      | <= 5000 Hz                   |
| <b>Maximum voltage drop</b>     | <2 V (closed)                |
| <b>Current consumption</b>      | 0...10 mA no-load            |
| <b>Maximum delay first up</b>   | 5 ms                         |
| <b>Maximum delay response</b>   | 0.1 ms                       |
| <b>Maximum delay recovery</b>   | 0.1 ms                       |
| <b>Marking</b>                  | CE                           |
| <b>Threaded length</b>          | 25 mm                        |
| <b>Height</b>                   | 12 mm                        |
| <b>Length</b>                   | 37 mm                        |
| <b>Net weight</b>               | 0.07 kg                      |

## Environment

|  |   |
|--|---|
| <b>Product certifications</b>                | CSA<br>UL   |
| <b>Ambient air temperature for operation</b> | -25...70 °C   |
| <b>Ambient air temperature for storage</b>   | -40...85 °C   |
| <b>Vibration resistance</b>                  | 25 gn amplitude = +/- 2 mm (f = 10...55 Hz) conforming to IEC 60068-2-6 |
| <b>Shock resistance</b>                      | 50 gn for 11 ms conforming to IEC 60068-2-27                            |

## Packing Units

|                                     |        |
|-------------------------------------|--------|
| <b>Unit Type of Package 1</b>       | PCE    |
| <b>Number of Units in Package 1</b> | 1      |
| <b>Package 1 Height</b>             | 4.1 cm |
| <b>Package 1 Width</b>              | 9.5 cm |
| <b>Package 1 Length</b>             | 13 cm  |
| <b>Package 1 Weight</b>             | 67 g   |
| <b>Unit Type of Package 2</b>       | S01    |
| <b>Number of Units in Package 2</b> | 11     |
| <b>Package 2 Height</b>             | 15 cm  |
| <b>Package 2 Width</b>              | 15 cm  |
| <b>Package 2 Length</b>             | 40 cm  |
| <b>Package 2 Weight</b>             | 913 g  |

## Offer Sustainability

|                                 |   |
|---------------------------------|---|
| <b>Sustainable offer status</b> | Green Premium product   |
| <b>REACH Regulation</b>         | <a href="#">REACH Declaration</a>   |
| <b>EU RoHS Directive</b>        | Pro-active compliance (Product out of EU RoHS legal scope)<br><a href="#">EU RoHS Declaration</a> |

---

|                                   |   |
|-----------------------------------|---|
| <b>Mercury free</b>               | Yes   |
| <b>RoHS exemption information</b> | <a href="#">Yes</a>                           |
| <b>Environmental Disclosure</b>   | <a href="#">Product Environmental Profile</a> |
| <b>Circularity Profile</b>        | <a href="#">End of Life Information</a>       |

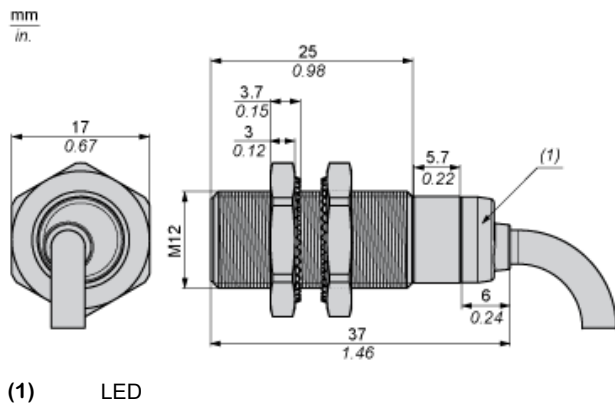
---

### **Contractual warranty**

---

|                 |           |
|-----------------|-----------|
| <b>Warranty</b> | 18 months |
|-----------------|-----------|

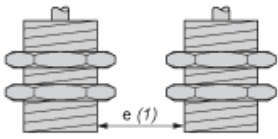
Dimensions



**Minimum Mounting Distances**

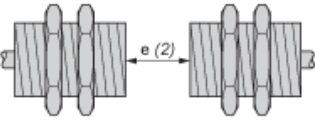
---

Side by side



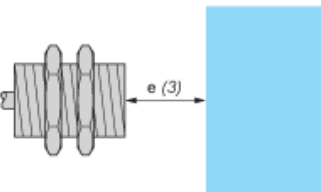
$e (1) \geq 16 \text{ mm}/0.63 \text{ in.}$

Face to face



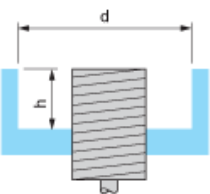
$e (2) \geq 48 \text{ mm}/1.89 \text{ in.}$

Facing a metal object



$e (3) \geq 12 \text{ mm}/0.47 \text{ in.}$

Mounted in a metal support



$d \geq 36 \text{ mm}/1.42 \text{ in.}$

$h \geq 8 \text{ mm}/0.31 \text{ in.}$

**Wiring Schemes**

---

PNP 4-wire

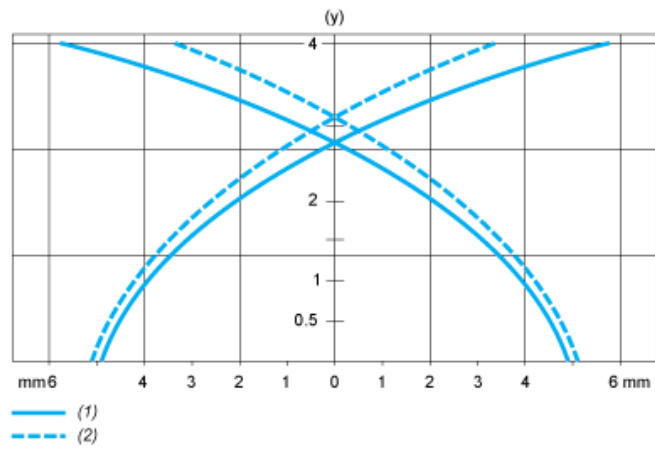


- BU :** Blue
- BN :** Brown
- BK :** Black
- WH :** White

**Performance Curves**

---

**Standard Steel Target : 12x12x1 mm**



- (1) Pick-up points
- (2) Drop-out points (object approaching from the side)
- (y) Sensing distance in mm

**Recommended replacement(s)**