

# Product datasheet

Specifications



inductive sensor XS6 M12 - L61mm  
- brass - Sn4mm - 24..240VAC/DC -  
1/2"

Local distributor code: 388787582 XS612B1MBU20

EAN Code : 3389110147278

## Main

|                                    |   |
|------------------------------------|---|
| Range of product                   | Telemecanique Inductive proximity sensors XS                  |
| Series name                        | General purpose   |
| Sensor type                        | Inductive proximity sensor                                    |
| Sensor name                        | XS6   |
| Sensor design                      | Cylindrical M12   |
| Size                               | 61 mm   |
| Body type                          | Fixed   |
| Detector flush mounting acceptance | Flush mountable   |
| Material                           | Metal   |
| Type of output signal              | Discrete  |
| Wiring technique                   | 2-wire  |
| [Sn] nominal sensing distance      | 4 mm  |
| Discrete output function           | 1 NC  |
| Output circuit type                | AC/DC   |
| Electrical connection              | Male connector 1/2"20 UNF, 3 pins                             |
| [Us] rated supply voltage          | 24...240 V AC/DC 50/60 Hz                                     |
| Switching capacity in mA           | 5...200 mA AC/DC  |
| IP degree of protection            | IP67 conforming to IEC 60529<br>IP69K conforming to DIN 40050 |

## Complementary

|                     |                              |
|---------------------|------------------------------|
| Thread type         | M12 x 1                      |
| Detection face      | Frontal                      |
| Front material      | PPS                          |
| Enclosure material  | Nickel plated brass          |
| Sensing range       | > 2.5...4 mm                 |
| Operating zone      | 0...3.2 mm                   |
| Differential travel | 1...15% of Sr                |
| Status LED          | Output state: 1 LED (yellow) |

|                          |                              |
|--------------------------|------------------------------|
| Supply voltage limits    | 20...264 V AC/DC             |
| Maximum residual current | 0.8 mA open state            |
| Switching frequency      | <= 1000 Hz DC<br><= 25 Hz AC |
| Maximum voltage drop     | <5.5 V (closed)              |
| Maximum delay first up   | 20 ms                        |
| Maximum delay response   | 0.5 ms                       |
| Maximum delay recovery   | 0.2 ms                       |
| Marking                  | CE                           |
| Threaded length          | 42 mm                        |
| Length                   | 61 mm                        |
| Net weight               | 0.025 kg                     |

## Environment

|                                       |   |
|---------------------------------------|---|
| Product certifications                | UL<br>CSA   |
| Ambient air temperature for operation | -25...70 °C   |
| Ambient air temperature for storage   | -40...85 °C   |
| Vibration resistance                  | 25 gn amplitude = +/- 2 mm (f = 10...55 Hz) conforming to IEC 60068-2-6 |
| Shock resistance                      | 50 gn for 11 ms conforming to IEC 60068-2-27                            |

## Packing Units

|                              |          |
|------------------------------|----------|
| Unit Type of Package 1       | PCE      |
| Number of Units in Package 1 | 1        |
| Package 1 Height             | 6.5 cm   |
| Package 1 Width              | 9.5 cm   |
| Package 1 Length             | 4.2 cm   |
| Package 1 Weight             | 30.0 g   |
| Unit Type of Package 2       | S02      |
| Number of Units in Package 2 | 44       |
| Package 2 Height             | 15.0 cm  |
| Package 2 Width              | 30.0 cm  |
| Package 2 Length             | 40.0 cm  |
| Package 2 Weight             | 2.337 kg |

## Offer Sustainability

|                            |   |
|----------------------------|---|
| Sustainable offer status   | Green Premium product   |
| REACH Regulation           | <a href="#">REACH Declaration</a>   |
| EU RoHS Directive          | Pro-active compliance (Product out of EU RoHS legal scope)<br><a href="#">EU RoHS Declaration</a> |
| Mercury free               | Yes   |
| RoHS exemption information | <a href="#">Yes</a>   |
| Environmental Disclosure   | <a href="#">Product Environmental Profile</a>   |
| Circularity Profile        | <a href="#">End of Life Information</a>   |

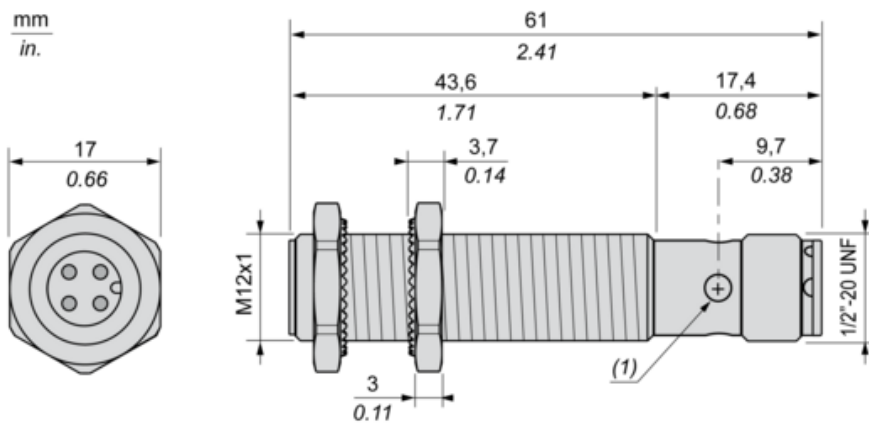
# Contractual warranty

---

Warranty

18 months

## Dimensions



(1) : LED

**Minimum Mounting Distances**

---

Side by side



$e (1) \geq 8 \text{ mm}/0.31 \text{ in.}$

Face to face



$e (2) \geq 48 \text{ mm}/1.89 \text{ in.}$

Facing a metal object

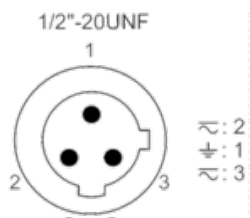


$e (3) \geq 12 \text{ mm}/0.47 \text{ in.}$

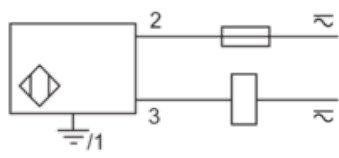
**Wiring Schemes**

---

1/2"-20UNF



- 1 : Grounding
  - 2 : AC
  - 3 : AC
- NC output



**Recommended replacement(s)**