

Product datasheet

Specifications



Light block for head Ø22, white, integral LED, 24 V AC/DC

Local distributor code: 237124759 ZBVB1

EAN Code : 3389110089615

Main

| | |
|-------------------------------|--|
| Range of product | Harmony XB5 Harmony XB4 |
| Product or component type | Light block |
| Device short name | ZBV |
| Sale per indivisible quantity | 5 |
| Connections - terminals | Screw clamp terminals, $\leq 2 \times 1.5 \text{ mm}^2$ with cable end conforming to EN 60947-1 Screw clamp terminals, $\geq 1 \times 0.22 \text{ mm}^2$ without cable end conforming to EN 60947-1 |
| Signalling type | Steady |
| Light source | Universal LED |
| Bulb base | Integral LED |
| Light block supply | Direct |
| Light source colour | White |
| [Us] rated supply voltage | 24 V AC/DC at 50/60 Hz |

Complementary

| | |
|-----------------------------|---|
| Net weight | 0.017 kg |
| Tightening torque | 0.8...1.2 N.m conforming to EN 60947-1 |
| Shape of screw head | Cross compatible with Philips no 1 screwdriver Cross compatible with pozidriv No 1 screwdriver Slotted compatible with flat Ø 4 mm screwdriver Slotted compatible with flat Ø 5.5 mm screwdriver |
| Supply voltage limits | 19.2...30 V DC 21.6...26.4 V AC |
| Current consumption | 18 mA |
| Service life | 100000 h at rated voltage and 25 °C |
| Surge withstand | 1 kV conforming to IEC 61000-4-5 |
| Mounting of block | Front mounting |
| Electrical composition code | M1 M2 M3 M4 M5 M6 M10 MF1 P1 P2 PF1 |

| | |
|---------------------|---------------|
| Device presentation | Basic element |
|---------------------|---------------|

Environment

| | |
|---------------------------------------|---|
| Protective treatment | TH |
| Ambient air temperature for storage | -40...70 °C |
| Ambient air temperature for operation | -40...70 °C |
| IP degree of protection | IP20 conforming to IEC 60529 |
| Standards | JIS C8201-5-1 EN/IEC 60947-1 EN/IEC 60947-5-1 CSA C22.2 No 14 EN/IEC 60947-5-5 EN/IEC 60947-5-4 UL 508 JIS C8201-1 |
| Product certifications | UL listed CSA |
| Resistance to fast transients | 2 kV conforming to IEC 61000-4-4 |
| Resistance to electromagnetic fields | 10 V/m conforming to IEC 61000-4-3 |
| Resistance to electrostatic discharge | 6 kV on contact (on metal parts) conforming to IEC 61000-4-2 8 kV in free air (in insulating parts) conforming to IEC 61000-4-2 |
| Electromagnetic emission | Class B conforming to IEC 55011 24 V |

Packing Units

| | |
|------------------------------|-----------|
| Unit Type of Package 1 | PCE |
| Number of Units in Package 1 | 1 |
| Package 1 Height | 1.000 cm |
| Package 1 Width | 3.300 cm |
| Package 1 Length | 4.000 cm |
| Package 1 Weight | 9.000 g |
| Unit Type of Package 2 | BB1 |
| Number of Units in Package 2 | 5 |
| Package 2 Height | 4.000 cm |
| Package 2 Width | 5.500 cm |
| Package 2 Length | 5.500 cm |
| Package 2 Weight | 50.000 g |
| Unit Type of Package 3 | S03 |
| Number of Units in Package 3 | 800 |
| Package 3 Height | 30.000 cm |
| Package 3 Width | 30.000 cm |
| Package 3 Length | 40.000 cm |
| Package 3 Weight | 8.510 kg |

Offer Sustainability

| | |
|--------------------------|-----------------------------------|
| Sustainable offer status | Green Premium product |
| REACH Regulation | REACH Declaration |

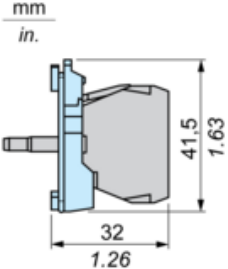
| | |
|-----------------------------------|---|
| REACH free of SVHC | Yes |
| EU RoHS Directive | Pro-active compliance (Product out of EU RoHS legal scope) EU RoHS Declaration |
| Mercury free | Yes |
| China RoHS Regulation | China RoHS declaration |
| RoHS exemption information | Yes |
| Environmental Disclosure | Product Environmental Profile |
| Circularity Profile | End of Life Information |
| WEEE | The product must be disposed on European Union markets following specific waste collection and never end up in rubbish bins |

Contractual warranty

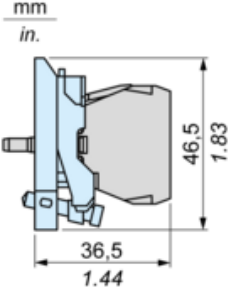
| | |
|-----------------|-----------|
| Warranty | 18 months |
|-----------------|-----------|

Dimensions

with ZB5AZ009 Fixing Collar



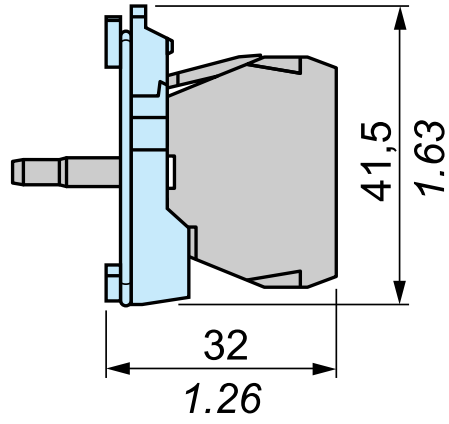
with ZB4BZ009 Fixing Collar



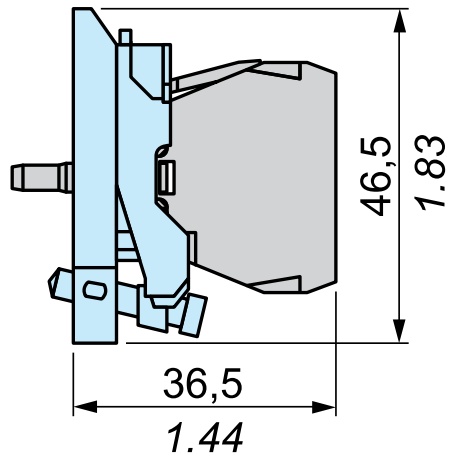
Dimensions

mm
in.

+ ZB5AZ009



+ ZB4BZ009



Recommended replacement(s)