

# Product datasheet

Specifications



## inductive sensor XS9 40x40x15 - PBT - Sn15mm - 24VDC - cable 2m

Local distributor code: 388784381 XS9C111A2L2

EAN Code : 3389110356052

### Main

Range of product	Telemecanique Inductive proximity sensors XS
Series name	Application
Sensor type	Inductive proximity sensor
Device application	-
Sensor name	XS9
Sensor design	Flat form 40 x 40 x 15
Size	15 mm
Body type	Fixed
Detector flush mounting acceptance	Flush mountable
Material	Plastic
Enclosure material	PBT
Type of output signal	Analogue
Wiring technique	2-wire
[Sn] nominal sensing distance	15 mm
Output circuit type	DC
Analogue output range	4...20 mA
Electrical connection	Cable
Cable length	2 m
[Us] rated supply voltage	24 V DC
IP degree of protection	IP68 double insulation conforming to IEC 60529

### Complementary

Detection face	Frontal
Front material	PBT
Operating zone	2...15 mm
Repeat accuracy	<= 3% of Sr
Linearity error	+/- 2 mA
Cable composition	3 x 0.34 mm <sup>2</sup>

Wire insulation material	PVC
Status LED	Without
Supply voltage limits	15...36 V DC
Switching frequency	<= 1000 Hz
Current consumption	0...4 mA no-load
Maximum output current drift	10 %
Marking	CE
Depth	15 mm
Height	40 mm
Width	40 mm

## Environment

Product certifications	CSA UL Ecolab
Ambient air temperature for operation	-25...70 °C
Ambient air temperature for storage	-40...85 °C
Vibration resistance	25 gn amplitude = +/- 2 mm (f = 10...55 Hz) conforming to IEC 60068-2-6
Shock resistance	50 gn for 11 ms conforming to IEC 60068-2-27

## Packing Units

Unit Type of Package 1	PCE
Number of Units in Package 1	1
Package 1 Height	4.4 cm
Package 1 Width	9.4 cm
Package 1 Length	13.2 cm
Package 1 Weight	124.0 g
Unit Type of Package 2	S02
Number of Units in Package 2	22
Package 2 Height	15.0 cm
Package 2 Width	30.0 cm
Package 2 Length	40.0 cm
Package 2 Weight	3.042 kg

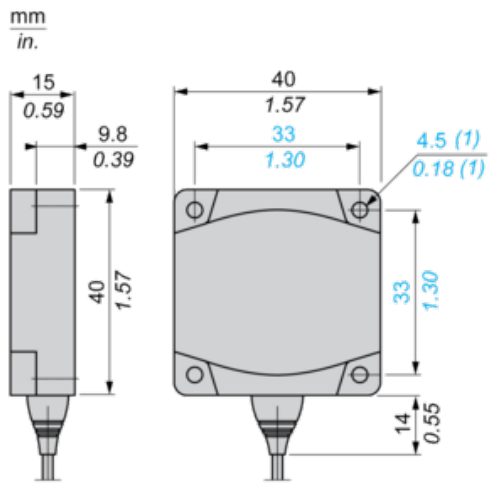
## Offer Sustainability

REACH Regulation	<a href="#">REACH Declaration</a>
EU RoHS Directive	Pro-active compliance (Product out of EU RoHS legal scope) <a href="#">EU RoHS Declaration</a>
Mercury free	Yes
RoHS exemption information	Yes

## Contractual warranty

Warranty	18 months
----------	-----------

Dimensions



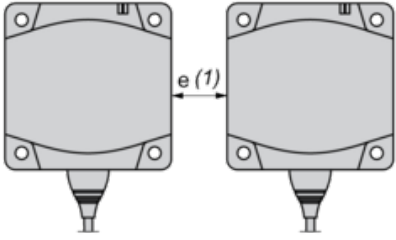
(1) For CHC type screws

**Setting-up**

---

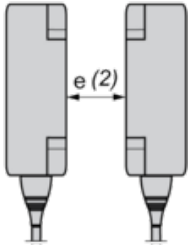
**Minimum Mounting Distances (mm)**

Side by Side



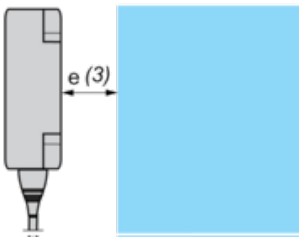
$e(1) \geq 45$

Face to Face



$e(2) \geq 110$

Facing a Metal Object

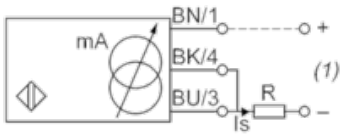


$e(3) \geq 45$

**Wiring Schemes**

---

**2-Wire Connection**



**BU** : Blue

**BN** : Brown

**BK** : Black

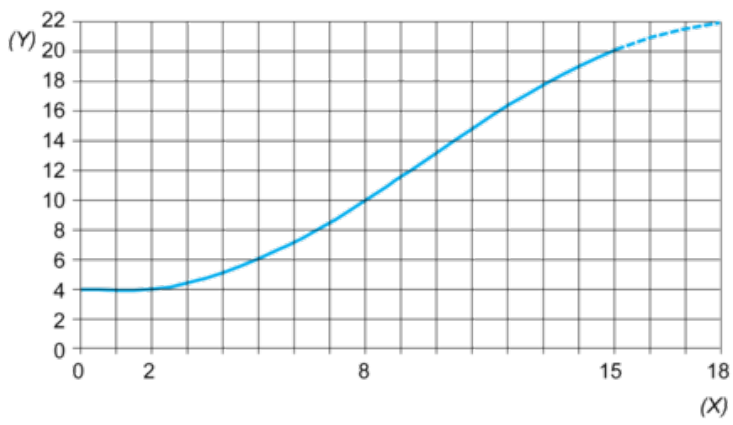
(1) Output current

Ensure a minimum of 10 V between the + (terminal 1) and - (terminal 3) of the sensor

	Output current	Load impedance value
12 V	4...20 mA	$R \leq 8.2 \Omega$
24 V	4...20 mA	$R \leq 470 \Omega$

**Output Curves**

---



(Y) Is (mA)

(X) Sensors - object distance (mm)

**Recommended replacement(s)**