

# Product datasheet

Specifications



inductive sensor XS6 M18 - L62mm  
- brass - Sn8mm - 12..48VDC -  
cable 2m

Local distributor code: 388788235 XS618B1PBL2

EAN Code : 3389110146363

## Main

|                                    |   |
|------------------------------------|---|
| Range of product                   | Telemecanique Inductive proximity sensors XS                                    |
| Series name                        | General purpose   |
| Sensor type                        | Inductive proximity sensor  |
| Device application                 | Mobile equipment  |
| Sensor name                        | XS6   |
| Sensor design                      | Cylindrical M18   |
| Size                               | 62 mm   |
| Body type                          | Fixed   |
| Detector flush mounting acceptance | Flush mountable   |
| Material                           | Metal   |
| Type of output signal              | Discrete  |
| Wiring technique                   | 3-wire  |
| [Sn] nominal sensing distance      | 8 mm  |
| Discrete output function           | 1 NC  |
| Output circuit type                | DC  |
| Discrete output type               | PNP   |
| Electrical connection              | Cable   |
| Cable length                       | 2 m   |
| [Us] rated supply voltage          | 12...48 V DC with reverse polarity protection                                   |
| Switching capacity in mA           | <= 200 mA DC with overload and short-circuit protection                         |
| IP degree of protection            | IP68 double insulation conforming to IEC 60529<br>IP69K conforming to DIN 40050 |

## Complementary

|                    |                     |
|--------------------|---------------------|
| Thread type        | M18 x 1             |
| Detection face     | Frontal             |
| Front material     | PPS                 |
| Enclosure material | Nickel plated brass |
| Sensing range      | > 4...8 mm          |

|                                 |                              |
|---------------------------------|------------------------------|
| <b>Operating zone</b>           | 0...6.4 mm                   |
| <b>Differential travel</b>      | 1...15% of Sr                |
| <b>Cable composition</b>        | 3 x 0.34 mm <sup>2</sup>     |
| <b>Wire insulation material</b> | PVC                          |
| <b>Status LED</b>               | Output state: 1 LED (yellow) |
| <b>Supply voltage limits</b>    | 10...58 V DC                 |
| <b>Switching frequency</b>      | <= 1000 Hz                   |
| <b>Maximum voltage drop</b>     | <2 V (closed)                |
| <b>Current consumption</b>      | <= 10 mA no-load             |
| <b>Maximum delay first up</b>   | 10 ms                        |
| <b>Maximum delay response</b>   | 0.3 ms                       |
| <b>Maximum delay recovery</b>   | 0.7 ms                       |
| <b>Marking</b>                  | CE                           |
| <b>Threaded length</b>          | 52 mm                        |
| <b>Length</b>                   | 62 mm                        |
| <b>Net weight</b>               | 0.12 kg                      |

## Environment

|  |   |
|--|---|
| <b>Product certifications</b>                | UL<br>CSA<br>E2   |
| <b>Ambient air temperature for operation</b> | -25...70 °C   |
| <b>Ambient air temperature for storage</b>   | -40...85 °C   |
| <b>Vibration resistance</b>                  | 25 gn amplitude = +/- 2 mm (f = 10...55 Hz) conforming to IEC 60068-2-6 |
| <b>Shock resistance</b>                      | 50 gn for 11 ms conforming to IEC 60068-2-27                            |

## Packing Units

|                                     |           |
|-------------------------------------|-----------|
| <b>Unit Type of Package 1</b>       | PCE       |
| <b>Number of Units in Package 1</b> | 1         |
| <b>Package 1 Height</b>             | 1.524 cm  |
| <b>Package 1 Width</b>              | 5.588 cm  |
| <b>Package 1 Length</b>             | 10.414 cm |
| <b>Package 1 Weight</b>             | 104.327 g |
| <b>Unit Type of Package 2</b>       | S03       |
| <b>Number of Units in Package 2</b> | 44        |
| <b>Package 2 Height</b>             | 30 cm     |
| <b>Package 2 Width</b>              | 30 cm     |
| <b>Package 2 Length</b>             | 40 cm     |
| <b>Package 2 Weight</b>             | 5.376 kg  |

## Offer Sustainability

|                                 |  |
|---------------------------------|--|
| <b>Sustainable offer status</b> | Green Premium product                                      |
| <b>REACH Regulation</b>         | <a href="#">REACH Declaration</a>                          |
| <b>EU RoHS Directive</b>        | Pro-active compliance (Product out of EU RoHS legal scope) |

---

|                                   |   |
|-----------------------------------|---|
| <b>Mercury free</b>               | Yes   |
| <b>RoHS exemption information</b> | <a href="#">Yes</a>                           |
| <b>Environmental Disclosure</b>   | <a href="#">Product Environmental Profile</a> |
| <b>Circularity Profile</b>        | <a href="#">End of Life Information</a>       |

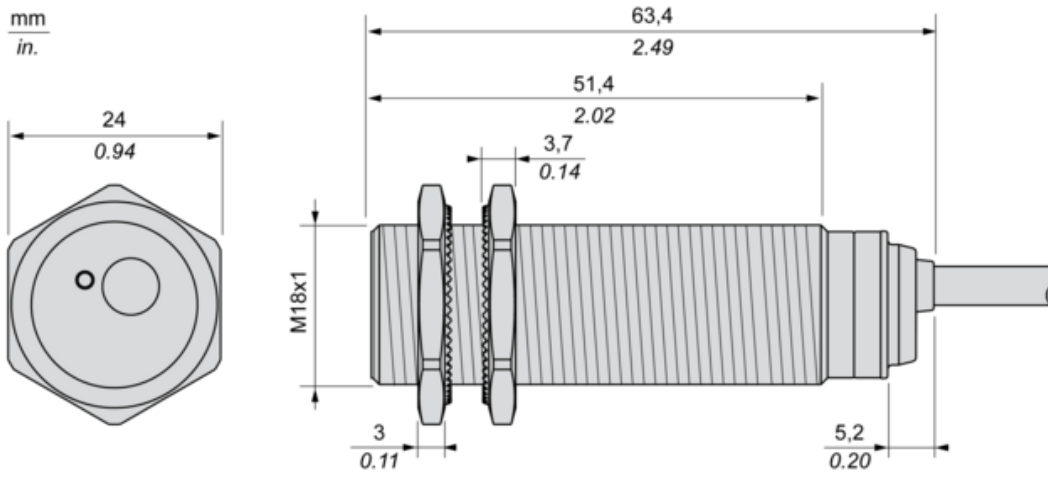
---

### **Contractual warranty**

---

|                 |           |
|-----------------|-----------|
| <b>Warranty</b> | 18 months |
|-----------------|-----------|

Dimensions



**Minimum Mounting Distances**

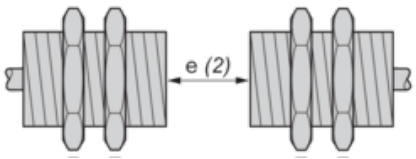
---

Side by side



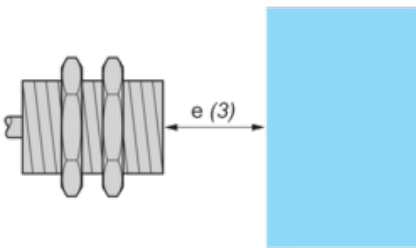
$e (1) \geq 16 \text{ mm}/0.63 \text{ in.}$

Face to face



$e (2) \geq 100 \text{ mm}/3.94 \text{ in.}$

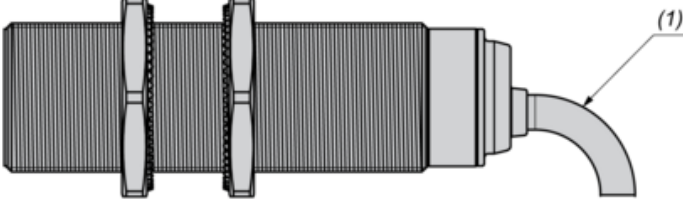
Facing a metal object



$e (3) \geq 25 \text{ mm}/0.98 \text{ in}$

**Mounting**

---

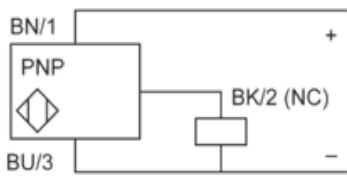


(1) Bending cable: 4 x external cable diameter

**Wiring Schemes**

---

PNP



**BU** : Blue  
**BN** : Brown  
**BK** : Black

**Recommended replacement(s)**