

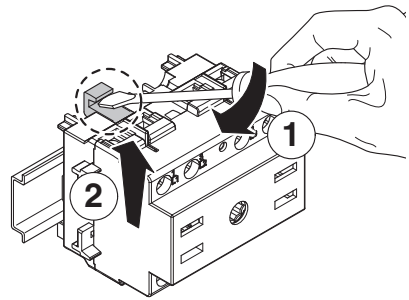
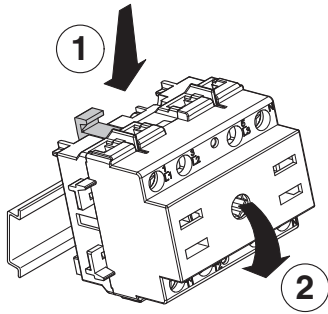
## ENCLOSED SWITCH-DISCONNECTORS

20÷80A

2P-3P-3P+N-4P

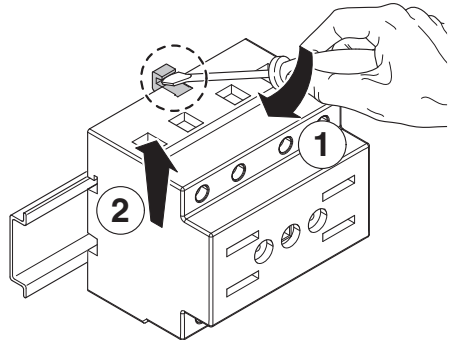
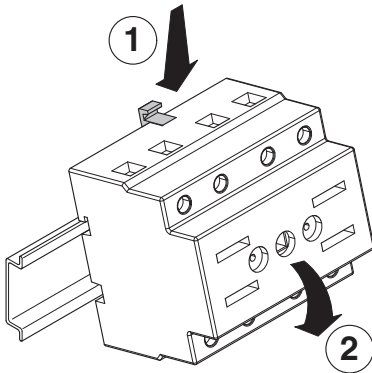
20÷40A

2P-3P-3P+N-4P



63÷80A

2P-3P-3P+N-4P



**InfoTECH**

ITALY

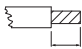
WORLDWIDE

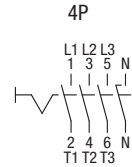
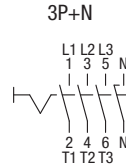
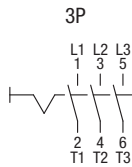
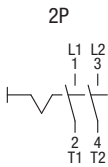
Numero Verde

**800-018009**

ScameOnLine

www.scame.com  
infotech@scame.com

		20÷40A 2P-3P-3P+N-4P	63÷80A 2P-3P-3P+N-4P
Wire range		1.5÷10mm <sup>2</sup>	10-35mm <sup>2</sup>
Tightening torque	Terminal screws	0.8Nm	3.6Nm
	Fixing screws	1.2Nm	1.2Nm
Wire strip length		10mm	13mm



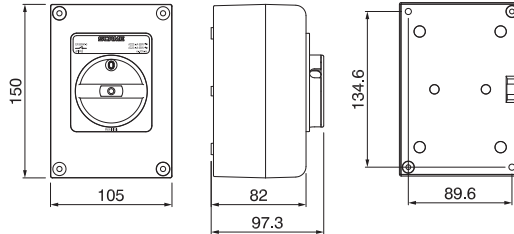
### ATTENTION

When mounting or removing additional elements the switch **has to be in OFF position** for avoiding damages to mechanism.

When removing main switch following instruction for avoiding damages.

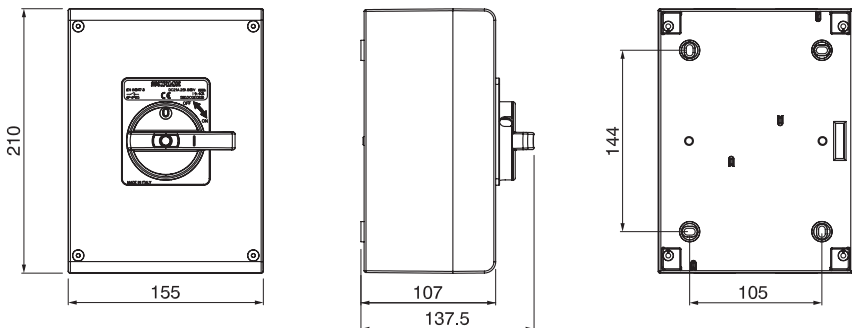
## THERMOPLASTIC ENCLOSURES

**20÷40A**  
**2P-3P-3P+N-4P**



Rated current (A)	Nr of poles	Enclosure dimensions	Cable entries		
			20-32-40	2-3-3P+N-4P	150x105x97
			Bottom	1xM20+1xM25	Knock-outs
			Rear	2xM20	Knock -outs

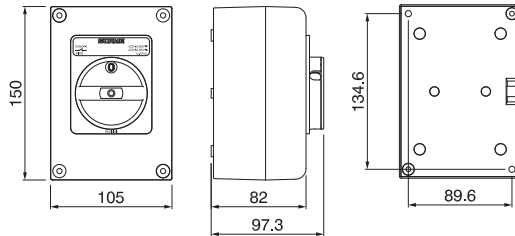
**63-80A**  
**2P-3P-3P+N-4P**



Rated current (A)	Nr of poles	Enclosure dimensions	Cable entries		
			63-80	2-3-3P+N-4	210x155x107
			Bottom	2xM32	Knock-outs
			Rear	/	Blank side

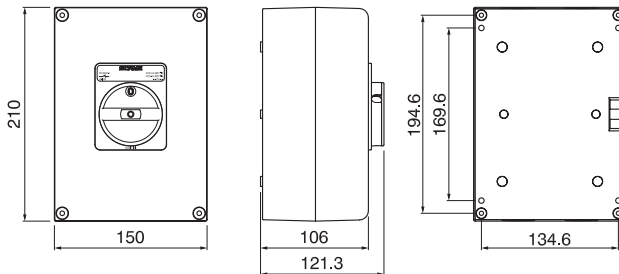
## ALUMINIUM ENCLOSURES

**20÷40A**  
**2P-3P-3P+N-4P**



Rated current (A)	Nr of poles	Enclosure dimensions	Cable entries		
			Top	Bottom	Rear
20-32-40	2-3-3P+N-4P	150x105x97	Top	1xM20+1xM25	Threaded
			Bottom	1xM20+1xM25	Threaded
			Rear	/	Blank-side

**63-80A**  
**2P-3P-3P+N-4P**



Rated current (A)	Nr of poles	Enclosure dimensions	Cable entries		
			Top	Bottom	Rear
63-80	2-3-3P+N-4	210x155x107	Top	2xM32	Threaded
			Bottom	2xM32	Threaded
			Rear	/	Blank side