

CAVAN 8W COB LED DIMMABLE COOL & WARM WHITE

RC8WDLDDWW-01, RC8WDLDDWW-15
RC8WDLDCW-01, RC8WDLDCW-15

PLEASE READ INSTRUCTION BEFORE COMMENCING INSTALLATION AND RETAIN FOR FUTURE REFERENCES.
! Electrical products can cause death or injury, or damage to property. If in any doubt about the installation or use of this product, consult a competent electrician

Note:

Product technical information and specification may change over time without prior notification
For the latest technical information please visit our web site WWW.ledgrouprobus.com or robustdirect.com

Specifications

Model No.	RC8WDLDDWW	RC8WDLDCW
Voltage:	220-240V~50/60Hz	220-240V~50/60Hz
Power:	8W	8W
Lumen:	575lm	640lm
CCT:	3000k	4000k
CRI:	80	80
Beam Angle:	38°	38°
PF:	>0.9	>0.9
Ta Range:	-10°C ~ +40°C	-10°C ~ +40°C
IP Rating:	65	65
Safety Class:	Class II	Class II
Diameter:	90mm	90mm
Depth:	50mm	50mm
Cut-out:	Ø73mm	Ø73mm
Weight:	0.27Kg	0.27Kg
Warranty:	3 year	3 year
Installation:	Recessed mounting	Recessed mounting

Dimmable with leading and trailing edge dimmers
Suitable for mounting on normally flammable surface
LED Downlight with White or satin silver trim, available with Warm White and Cool White LEDs
Driver must never be "hot-plugged" or connected to the fitting when live. Doing this may damage the fitting and will void the warranty.

Installation

- 1 Ensure mains supply is switched off
- 2 Mark ceiling with appropriate cut-out size
- 3 Before cutting, ensure that the hole does not impinge on joists, pipe work, cables or other building services
- 4 Connect the luminair cable to the driver by the connector
- 5 Connect power supply output to fitting terminals of the driver (Brown - Live, Blue - Neutral) and offer the driver up to cut-out
- 6 Hold single springs vertically against the side of the fitting, push terminal block and fitting into the cut-out. Once the top of the springs are through the cut out release the springs and allow the fitting to be pulled into the ceiling void.
- 7 Single springs can be adjusted by using a pliers to suit different ceiling thicknesses

Safety instruction

Warning

Luminaire marked as IC according to AS/NZS60598-2.2. IC Rating only applies when luminaires are installed in a ceiling with "Mineral Glass Fibre Type Insulation".
Building insulation abutting or within 100mm horizontally of the luminaire must meet the following requirements;
90°C for luminaire rating IC-F, IC or CA80 and 150°C for luminaire rating CA135.

a) Be of a type that can maintain its dimensions and structural integrity when exposed to the maximum surface temperatures of the class of luminaire, being 90°C.

b) Be of a type able to withstand a 30 second needle flame test carried out in accordance with AS/NZS 60695.11.5 with the flame applied to all surfaces of the test sample.

Loose fill insulation as defined in NZS 4246 is not permitted to abut or cover this luminaire or be used anywhere near this downlight.

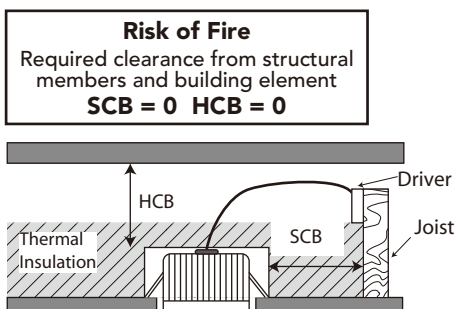
The installation must be carried out by a suitably qualified person.

Caution;

Recessed Luminaires may pose an increased risk of fire or property damage if not installed according to the instructions provided.

As specified in AS/NZS 60598.1, AS/NZS 60598.2.2, and AS/NZS 3000:2007 Clause 4.5.2.3.3(a), the fitting complies with the requirements for the F Mark, meaning that the temperature of the fitting does not exceed 90°C when abutted to or covered with thermal insulation material. However, the driver must be installed above the thermal insulation material, and is labelled as such.

Although the fitting may be safely covered with insulation material, we recommend that the luminaire be abutted to but not covered with insulation material in order to maximise the lifetime of the fitting. LED lifetime can be maximised by maintaining as low an operating temperature as possible.



The Installation must be carried out by an electrician

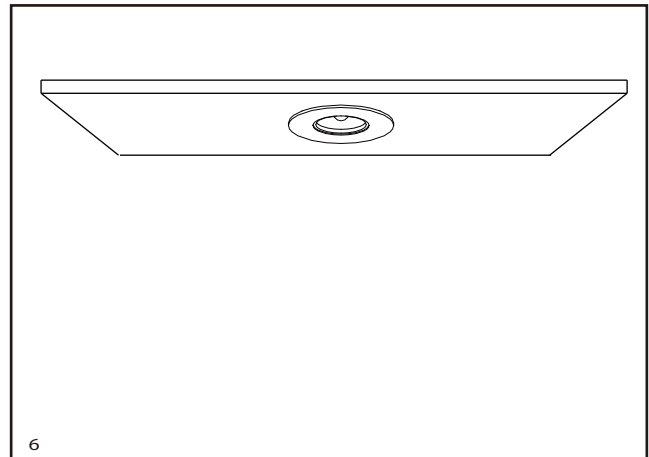
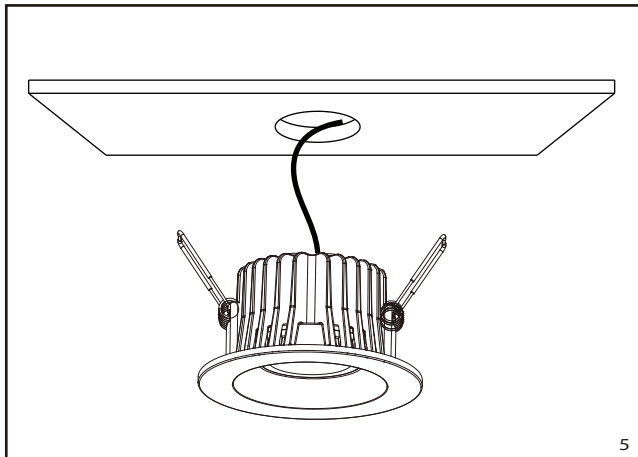
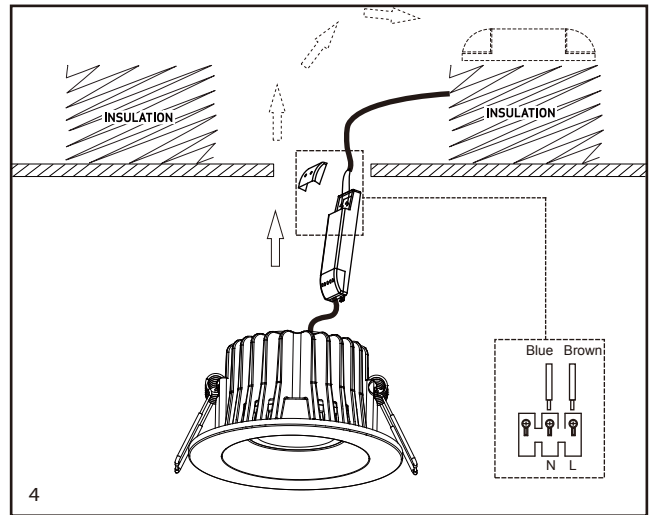
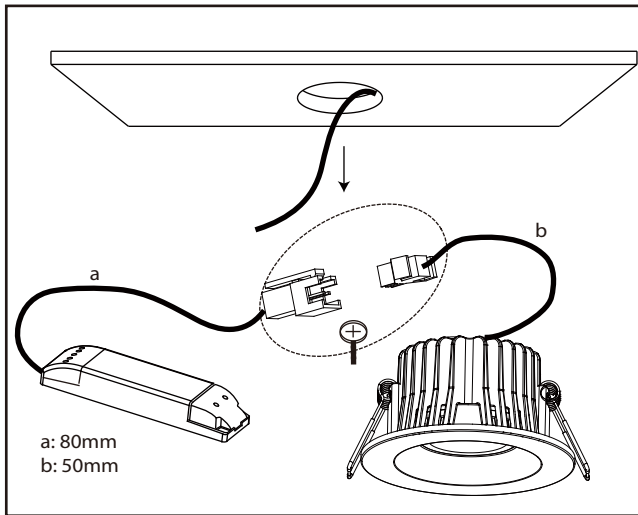
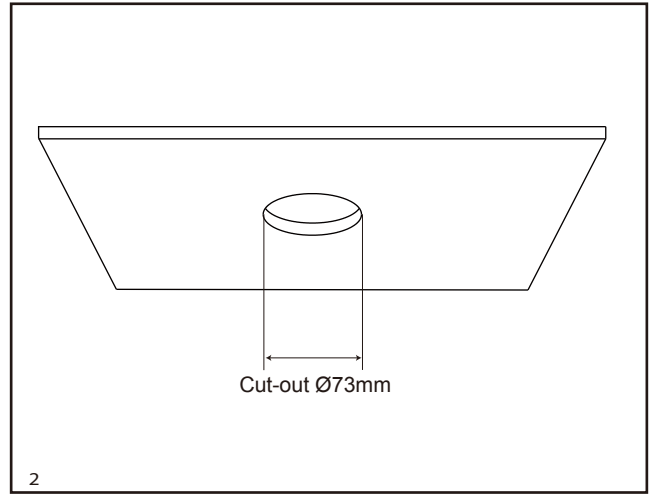
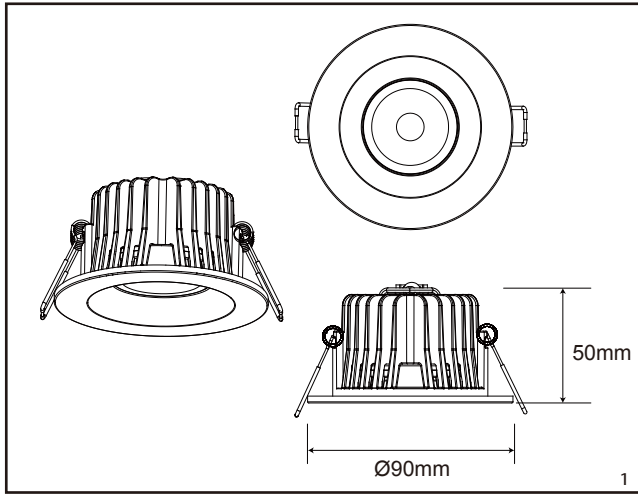
LED Group

Western Retail Park
Nangor Road
Dublin 12
Ireland
Issue 3 290415

Tel: +353 1 7099000
Fax: +353 1 7099060
Email: info@led.ie
Website: www.led.ie



Installation diagram



Information for the Product user:

1. Please note the requirement to dispose of Waste Electrical & Electronic Equipment separately from household waste (WEEE marked with crossed out wheelie bin symbol).
2. Please consider your role in contributing to re-use and recycling by returning this product at end of life to a collection centre for waste electrical equipment or a Civic Amenity site, or to a retail outlet from which you are purchasing a replacement.
3. This equipment may contain substances that are hazardous to health and the environment if disposed of carelessly. It is important that it is separated from normal household waste and recycled in the WEEE chain
4. The "crossed out wheelie bin symbol" on a product indicates this equipment must not be disposed of in normal household waste, but should be disposed of according to local WEEE regulations

The Installation must be carried out by an electrician

LED Group
Western Retail Park
Nangor Road
Dublin 12
Ireland

Tel: +353 1 7099000
Fax: +353 1 7099060
Email: info@led.ie
Website: www.led.ie

