

# Non-Metallic Systems

## Accessories - Type T - Hinged T Piece



### Technical Characteristics

Conforms to	Low voltage directive		
Approvals and Standards	<b>CE</b>		
Degree of mechanical protection	Medium Impact Resistance		
Degree of protection	IP40 - As standard		
UV protection	Very High		
Fitting Characteristics	Hinged snap fit 'T' fitting Black (BL) Only		
Application	Hinged 'T' piece for connecting 3 conduits of the same or different sizes		
Normal operating temperature range	Application	Min Temp	Max Temp
	Static	- 40°C	+120°C
	Dynamic	- 5°C	+120 °C
For use with - Conduit Series	Light, Standard and Heavyweight variants of type <a href="#">PA</a> , <a href="#">PI</a> , <a href="#">CP</a> , <a href="#">PR</a> , & <a href="#">PF</a>		
Fire performance	<b>Test Standard</b>	<b>Performance Rating</b>	
	Not Rated	Not Rated	
		<b>Self Extinguishing Low Smoke &amp; Halogen Free</b>	
Testing data	Click or See page <a href="#">5</a>		
Type of material	Polyamide (Nylon) 66		

Image



The Company's policy is one of continuous improvement and reserves the right to change specifications at any time without prior notice.

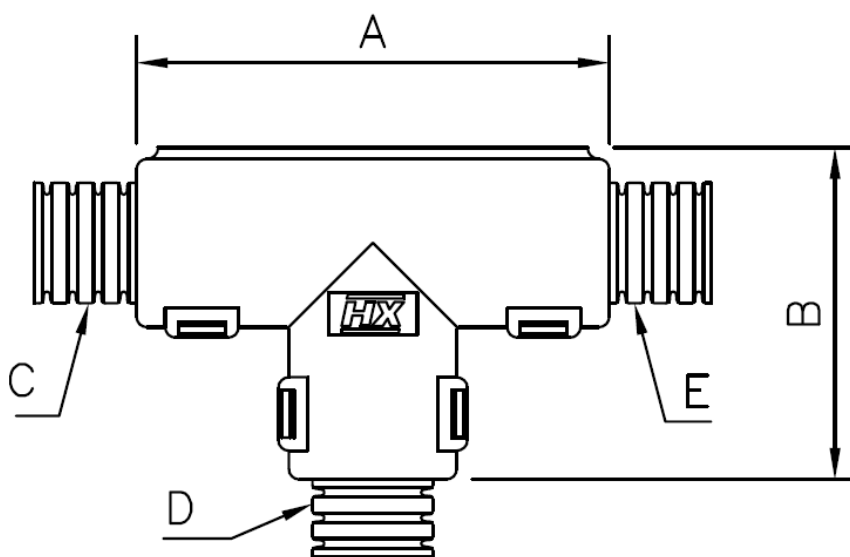
# Non-Metallic Systems

## Accessories - Type T - Hinged T Piece



### Dimensional

	Part No Black Body	Nominal Dimensions (mm)		Nominal Conduit Size (mm)			Weight in grams (Each)
		A	B	C	D	E	
10T							
	T101010/BL	45.2	31.1	10.0	10.0	10.0	4.5
	T101310/BL	45.2	31.1	10.0	13.0	10.0	4.5
	T101613/BL	45.2	31.1	10.0	10.0	13.0	5.0
13T							
	T131010/BL	45.2	31.1	13.0	10.0	10.0	4.5
	T131013/BL	45.2	31.1	13.0	10.0	13.0	4.5
	T131310/BL	45.2	31.1	13.0	13.0	10.0	4.5
	T131313/BL	45.2	31.1	13.0	13.0	13.0	4.5
	T131613/BL	45.2	31.1	13.0	16.0	13.0	5.0
16T							
	T161013/BL	49.1	34.8	16.0	10.0	13.0	5.2
	T161313/BL	49.1	34.8	16.0	13.0	13.0	5.7
	T161316/BL	49.1	34.8	16.0	13.0	16.0	5.9
	T161613/BL	49.1	34.8	16.0	16.0	13.0	5.9
	T161616/BL	49.1	34.8	16.0	16.0	16.0	6.2
	T162113/BL	49.1	34.8	16.0	21.0	13.0	6.3
	T162116/BL	49.1	34.8	16.0	21.0	16.0	6.5



The Company's policy is one of continuous improvement and reserves the right to change specifications at any time without prior notice.

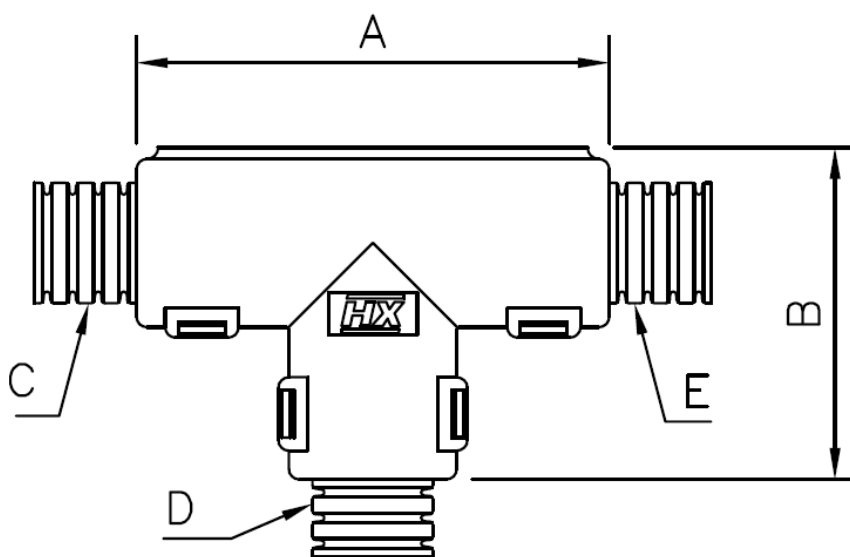
# Non-Metallic Systems

## Accessories - Type T - Hinged T Piece



### Dimensional

	Part No Black Body	Nominal Dimensions (mm)		Nominal Conduit Size (mm)			Weight in grams (Each)
		A	B	C	D	E	
21T							
	T211016/BL	56.5	41.0	21.0	10.0	16.0	8.5
	T211021/BL	56.5	41.0	21.0	10.0	21.0	8.5
	T211316/BL	56.5	41.0	21.0	13.0	16.0	8.6
	T211321/BL	56.5	41.0	21.0	13.0	21.0	8.8
	T211613/BL	56.5	41.0	21.0	16.0	13.0	8.4
	T211616/BL	56.5	41.0	21.0	16.0	16.0	8.7
	T211621/BL	56.5	41.0	21.0	16.0	21.0	8.8
	T212113/BL	56.5	41.0	21.0	21.0	13.0	8.6
	T212116/BL	56.5	41.0	21.0	21.0	16.0	8.9
	T212121/BL	56.5	41.0	21.0	21.0	21.0	9.1
28T							
	T281021/BL	64.5	48.5	28.0	10.0	21.0	13.2
	T281028/BL	64.5	48.6	28.0	10.0	28.0	13.5
	T281321/BL	64.5	48.6	28.0	13.0	21.0	13.2
	T281328/BL	64.5	48.6	28.0	13.0	28.0	13.5
	T281621/BL	64.5	48.6	28.0	16.0	21.0	13.3



The Company's policy is one of continuous improvement and reserves the right to change specifications at any time without prior notice.

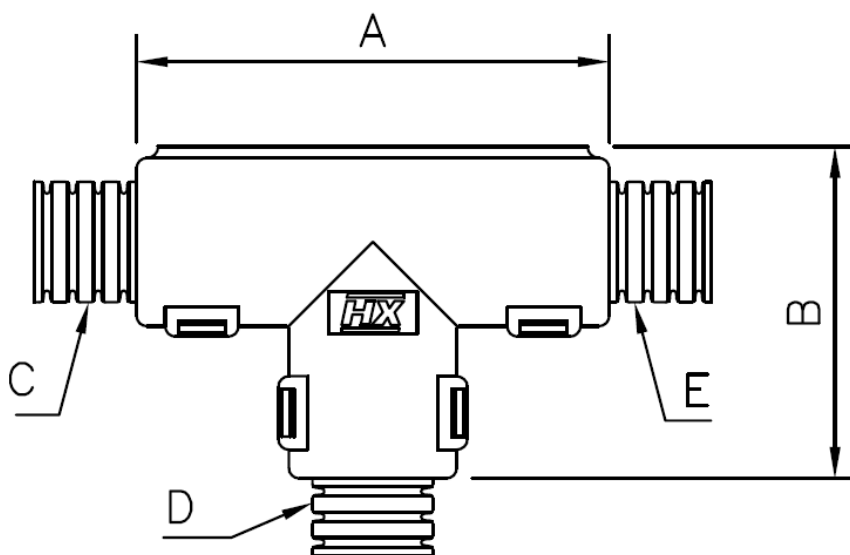
# Non-Metallic Systems

## Accessories - Type T - Hinged T Piece



### Dimensional

	Part No Black Body	Nominal Dimensions (mm)		Nominal Conduit Size (mm)			Weight in grams (Each)
		A	B	C	D	E	
28T							
	T281628/BL	64.5	48.6	28.0	16.0	28.0	13.6
	T282121/BL	64.5	48.6	28.0	21.0	21.0	13.8
	T282128/BL	64.5	48.6	28.0	21.0	28.0	14.2
	T282828/BL	64.5	48.6	28.0	28.0	28.0	14.2
34T							
	T341634/BL	72.0	55.3	34.0	16.0	34.0	18.7
	T342128/BL	72.0	55.3	34.0	21.0	28.0	18.8
	T342134/BL	72.0	55.3	34.0	21.0	34.0	19.3
	T343434/BL	72.0	55.3	34.0	34.0	34.0	21.2



The Company's policy is one of continuous improvement and reserves the right to change specifications at any time without prior notice.

# Non-Metallic Systems

## Accessories - Type T - Hinged T Piece



### Chemical Resistance Chart

<b>Key:</b>  Suitable : ●  Limited Suitability : ●  Unsuitable : ●  Not Tested : ●	● Astm No.1	● Diesel oil	● Methyl Bromide	● Sulphur Dioxide (Gas)
	● Astm No.2	● Diethylamine	● MEK	● Sulphuric Acid (10%)
	● Astm No.3	● Ethanol	● Nitric Acid (10%)	● Sulphuric Acid (70%)
	● Acetic Acid (10%)	● Ether	● Nitric Acid (70%)	● Toluene
	● Acetone	● Ethylamine	● Oxalic Acid	● Transformer Oil
	● Aluminium Chloride	● Ethylene Glycol	● Ozone (Gas)	● 1,1,1-Trichloroethane
	● Aniline	● Ethyl Ethanoate	● Paraffin oil	● Trichloroethylene
	● Benzaldehyde	● Freon 32	● Petrol	● Turpentine
	● Benzene	● Hydrochloric Acid (10%)	● Phenol	● Vegetable Oil
	● Carbon tetrachloride	● Hydrochloric Acid (36%)	● Sea Water	● Vinyl Acetate
	● Chlorine water	● Hydrogen Peroxide (35%)	● Silver Nitrate	● Water
	● Chloroform	● Hydrogen Peroxide (87%)	● Skydrol	● White Spirit
	● Citric Acid	● Lactic Acid	● Sodium Chloride	● Zinc Chloride
	● Copper Sulphate	● Lubricating oil	● Sodium Hydroxide (10%)	
	● Cresol	● Methanol	● Sodium Hydroxide (60%)	

The information above is given as a guide only and is based on published technical data and experience. The chemical resistance of the above products is dependant on factors such as chemical exposure, concentration of the chemical and temperature. The above chemicals are valid for a temperature of 23°C. Use of the above table is at the users own discretion and risk. Those using it must satisfy themselves that their application presents no health and safety risks. The end user should assess compatibility with their application and contact Thomas & Betts for further information.

ADHERENCE TO THE CURRENT WIRING REGULATIONS BS7671 OR NEC WIRING REGULATIONS (FOR USA) IS STRONGLY ADVISED.  
 MINIMUM BEND RADIUS FOR FLEXING IS DEPENDANT UPON MINIMUM TEMPERATURE, BENDING FREQUENCY AND CHEMICAL ENVIRONMENT.

The Company's policy is one of continuous improvement and reserves the right to change specifications at any time without prior notice.