

Non-Metallic Systems

Accessories - ACB Conduit Clamp



Technical Characteristics

Conforms to N/A

Approvals and Standards

Degree of mechanical protection Medium impact resistance

Degree of protection N/A

UV protection Very High

Fitting Characteristics Conduit clamp with integral closure system
Black (BL) & Grey (GR)

Application For clamping conduit to structures preventing pull through

Normal operating temperature range	Application	Min Temp	Max Temp
	Static	- 40°C	+120°C
	Dynamic	- 5°C	+120 °C

For use with - Conduit Series Light, Standard and Heavyweight variants of type [PA](#), [PI](#), [CP](#), [PR](#), [PADL](#) & [PE](#)

Fire performance	Test Standard	Performance Rating	Self Extinguishing Low Smoke & Halogen Free
	ISO 4589-2	24%	
	BS EN 60695-2-11	850°C	
	UL94	V2	

Testing data [Click or See page 3](#)

Type of material Impact Modified Polyamide (Nylon) 66



The Company's policy is one of continuous improvement and reserves the right to change specifications at any time without prior notice.

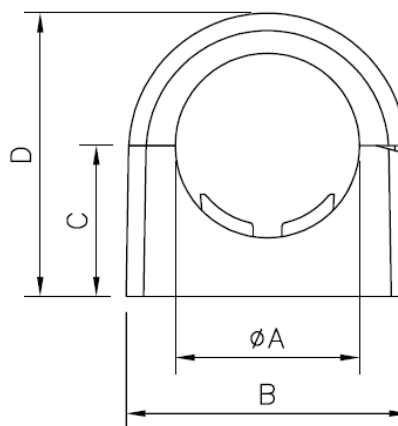
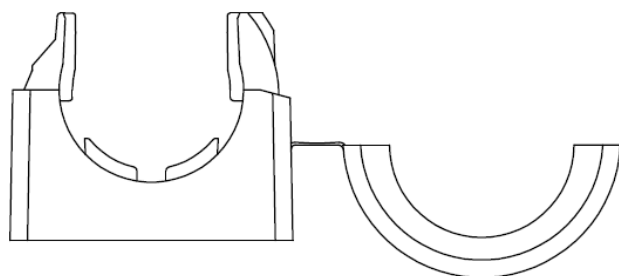
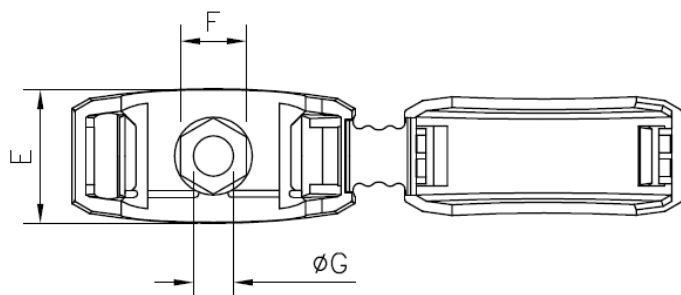
Non-Metallic Systems

Accessories - ACB Conduit Clamp



Dimensional Data

Part No Black Body	Part No Grey Body	To Suit Conduit Ø A	Nominal Dimensions (mm)					
			B	C	D	E	F	G
ACB10	ACG10	10.0	22.6	12.9	23.3	11.6	7.5	4.2
ACB13	ACG13	13.0	22.6	12.9	23.3	11.6	8.5	5.1
ACB16	ACG16	15.8	26.7	15.1	26.9	13.7	8.8	5.1
ACB21	ACG21	21.2	33.8	19.5	34.9	17.5	10.4	6.1
ACB28	ACG28	28.5	43.8	23.4	43.7	20.7	10.3	6.1
ACB34	ACG34	34.5	52.8	16.9	51.6	23.2	10.2	6.2
ACB42	ACG42	42.5	64.5	32.4	62.5	27.0	10.2	6.2
ACB54	ACG54	54.5	81.0	38.5	77.0	32.1	10.2	6.2



The Company's policy is one of continuous improvement and reserves the right to change specifications at any time without prior notice.

Non-Metallic Systems

Accessories - ACB Conduit Clamp



Chemical Resistance Chart

Key: Suitable : ● Limited Suitability : ● Unsuitable : ● Not Tested : ●	● Astm No.1	● Diesel oil	● Methyl Bromide	● Sulphur Dioxide (Gas)
	● Astm No.2	● Diethylamine	● MEK	● Sulphuric Acid (10%)
	● Astm No.3	● Ethanol	● Nitric Acid (10%)	● Sulphuric Acid (70%)
	● Acetic Acid (10%)	● Ether	● Nitric Acid (70%)	● Toluene
	● Acetone	● Ethylamine	● Oxalic Acid	● Transformer Oil
	● Aluminium Chloride	● Ethylene Glycol	● Ozone (Gas)	● 1,1,1-Trichloroethane
	● Aniline	● Ethyl Ethanoate	● Paraffin oil	● Trichloroethylene
	● Benzaldehyde	● Freon 32	● Petrol	● Turpentine
	● Benzene	● Hydrochloric Acid (10%)	● Phenol	● Vegetable Oil
	● Carbon tetrachloride	● Hydrochloric Acid (36%)	● Sea Water	● Vinyl Acetate
	● Chlorine water	● Hydrogen Peroxide (35%)	● Silver Nitrate	● Water
	● Chloroform	● Hydrogen Peroxide (87%)	● Skydrol	● White Spirit
	● Citric Acid	● Lactic Acid	● Sodium Chloride	● Zinc Chloride
	● Copper Sulphate	● Lubricating oil	● Sodium Hydroxide (10%)	
	● Cresol	● Methanol	● Sodium Hydroxide (60%)	

The information above is given as a guide only and is based on published technical data and experience. The chemical resistance of the above products is dependant on factors such as chemical exposure, concentration of the chemical and temperature. The above chemicals are valid for a temperature of 23°C. Use of the above table is at the users own discretion and risk. Those using it must satisfy themselves that their application presents no health and safety risks. The end user should assess compatibility with their application and contact Thomas & Betts for further information.

ADHERENCE TO THE CURRENT WIRING REGULATIONS BS7671 OR NEC WIRING REGULATIONS (FOR USA) IS STRONGLY ADVISED.
 MINIMUM BEND RADIUS FOR FLEXING IS DEPENDANT UPON MINIMUM TEMPERATURE, BENDING FREQUENCY AND CHEMICAL ENVIRONMENT.

The Company's policy is one of continuous improvement and reserves the right to change specifications at any time without prior notice.