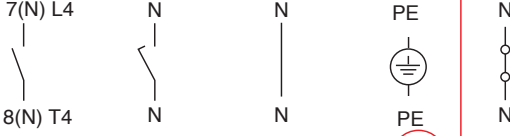


OTP_80FP

1SCC390127M0202

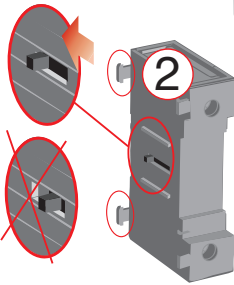
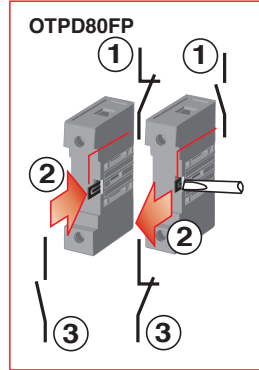
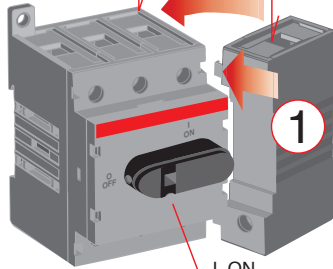
Document no. 34OTP80F1 B

OTPS80FP OTPL80FP OTPN80FP OTPE80FP OTPD80FP

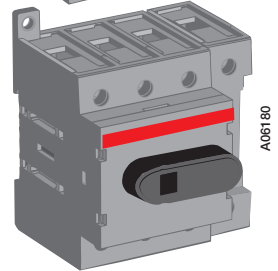
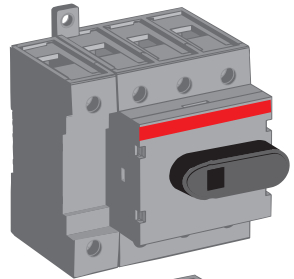
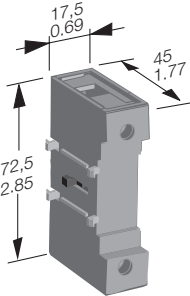


OT63F3, OT80F3

UL not completed
CSA not completed
OTPL80FP
OTPD80FP



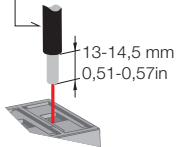
O I ON
OFF



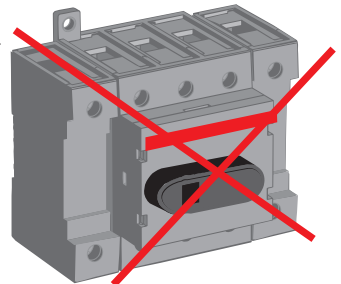
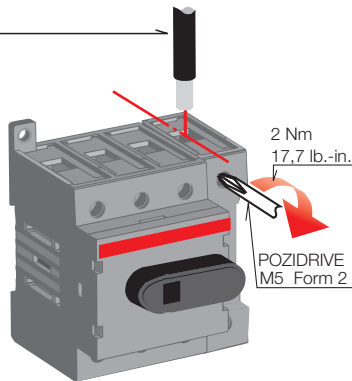
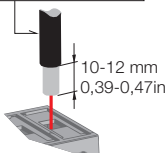
A06180

! Connect in the middle of the terminal clamp.

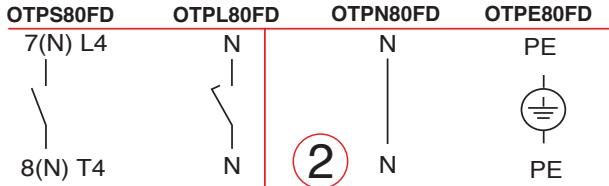
1,5...6 mm²
14...10 AWG



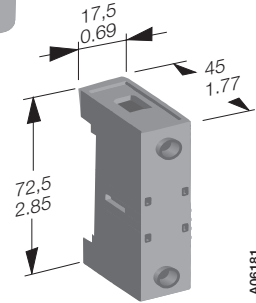
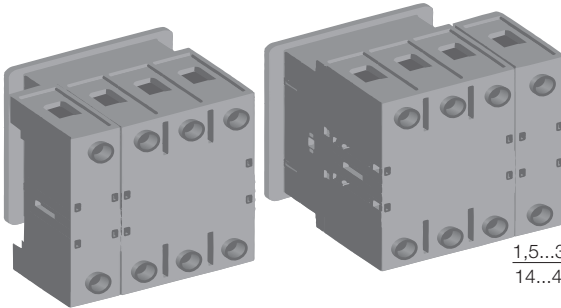
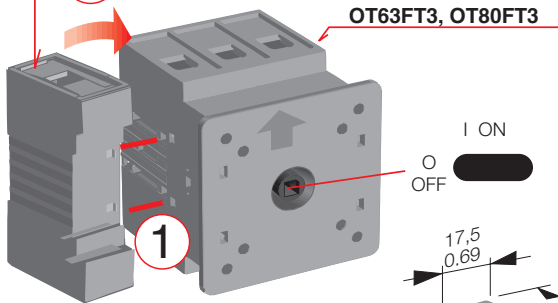
> 6...35 mm²
> 10...4 AWG



OTP_80FD



UL not completed
CSA not completed
OTPL80FD



A06181

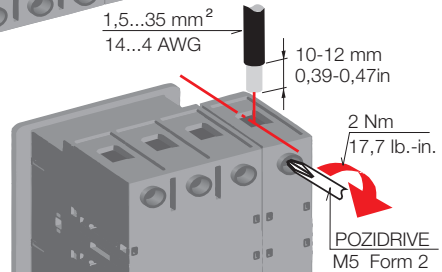
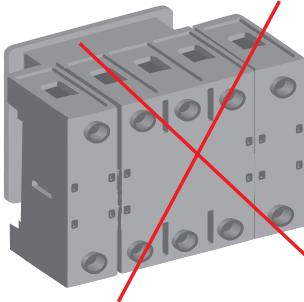


ABB Oy
Breakers and Switches
P.O.Box 622
FI-65101 Vaasa, Finland

Telephone +358 10 22 11
Telefax +358 10 224 5708

