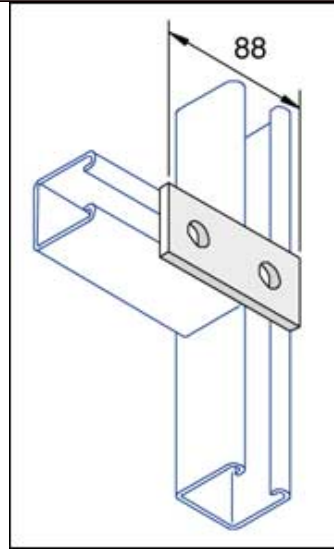


**Standard Dimensions:**x

The following are standard dimensions unless otherwise stated.

All dimensions subject to commercial tolerance.

- Hole Size: 14mm diameter
- Hole Spacing (From End):  
20mm from end of fitting
- Hole spacing (On Center):  
48mm center to center
- Fitting Width: 40mm



Part No.	Finish	Weight	Box Qty
P1065	HG	0.13	50
P1065	SS	0.13	50

**Project:** \_\_\_\_\_

**Architect / Engineer:** \_\_\_\_\_

**Date:** \_\_\_\_\_ **Phone:** \_\_\_\_\_

**Contractor:** \_\_\_\_\_

**Address:** \_\_\_\_\_

**Notes 1:** \_\_\_\_\_

**Approval Stamp:**