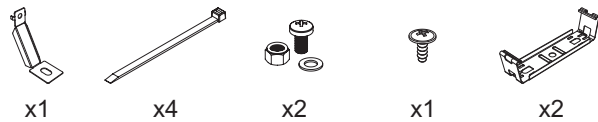
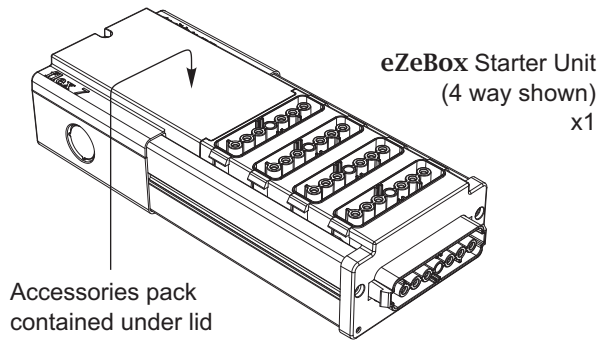


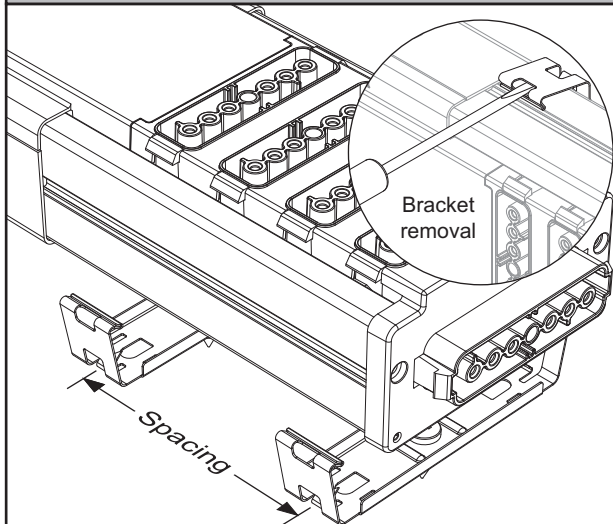
# Installing an eZeBox Starter Unit

## Supplied Parts



Current & Voltage rating : 16A, 230V AC  
Knock-outs : 20mm (x4) & 25mm (x1)

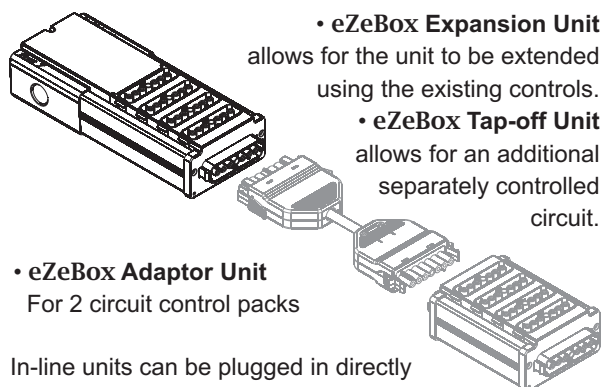
Table 1: bracket spacing guide



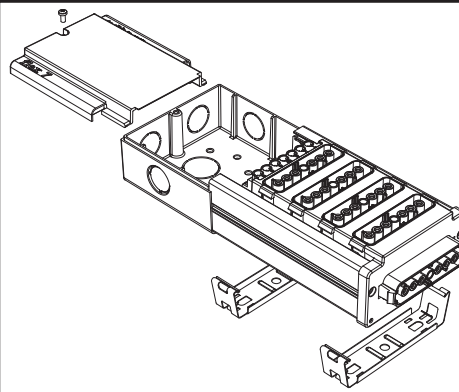
Outlets	Spacing /mm
2 way	45 ± 5
4 way	90 ± 10
6 way	140 ± 10
8 way	190 ± 10
10 way	240 ± 10
12 way	290 ± 10

## Optional Extras

If the end socket is reserved the eZeBox Starter Unit can be expanded at any time. By connecting an:

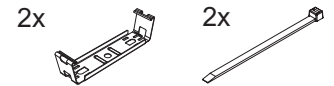
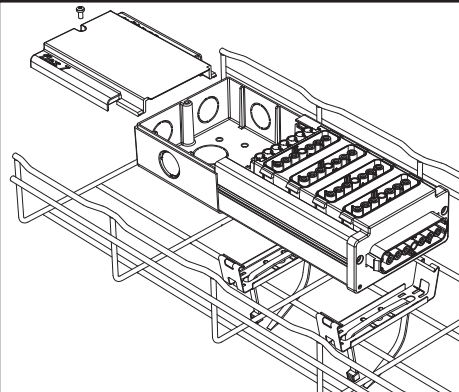


## Fixing to solid surface



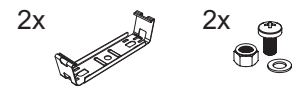
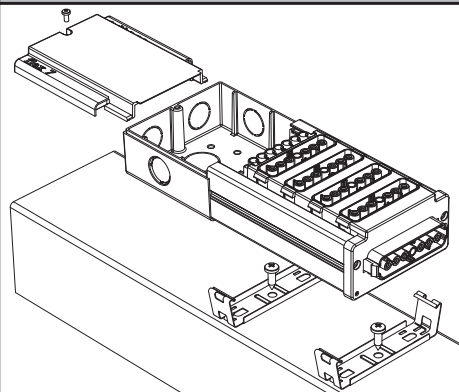
- At the appropriate spacings (see Table 1) secure each bracket to the surface with a single screw (not supplied).
- Prior to snapping-in the eZeBox unit, remove appropriate knock-outs for cable/conduit entry.
- Clip the eZeBox unit securely into the fixing brackets.

## Fixing to cable tray / wire basket



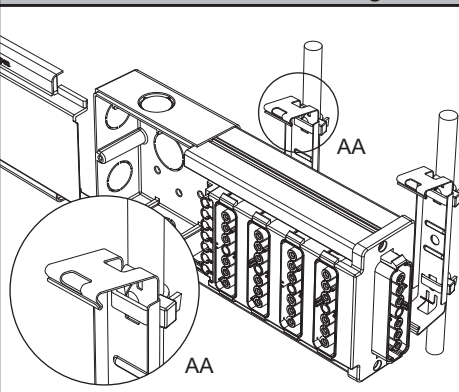
- At the appropriate spacings (see Table 1) secure each bracket using tie wraps.
- Prior to snapping-in the eZeBox unit, remove appropriate knock-outs for cable/conduit entry.
- Clip the eZeBox unit securely into the fixing brackets.

## Fixing to trunking



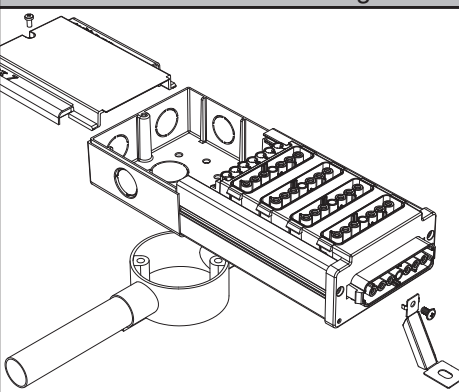
- At the appropriate spacings (see Table 1) secure each bracket using fixings supplied.
- Prior to snapping-in the eZeBox unit, remove appropriate knock-outs for the cable/conduit entry.
- Clip the eZeBox unit securely into the fixing brackets.

## Fixing to drop rods



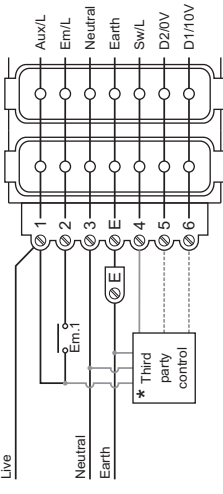
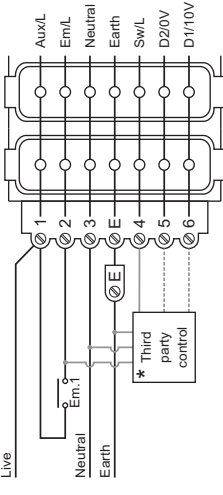
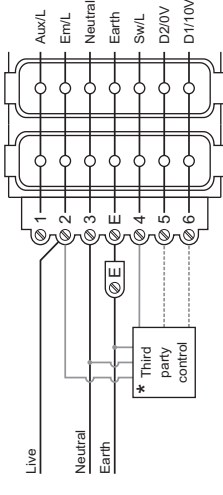
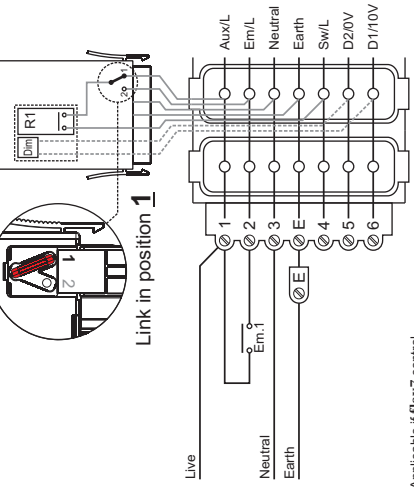
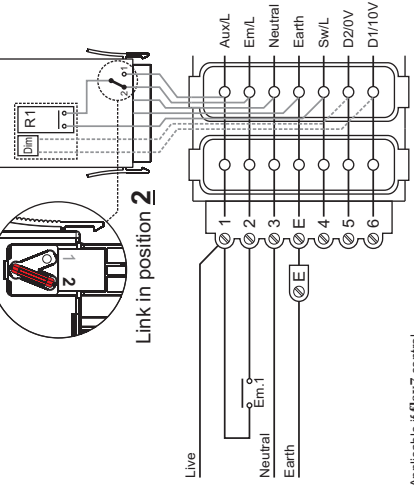
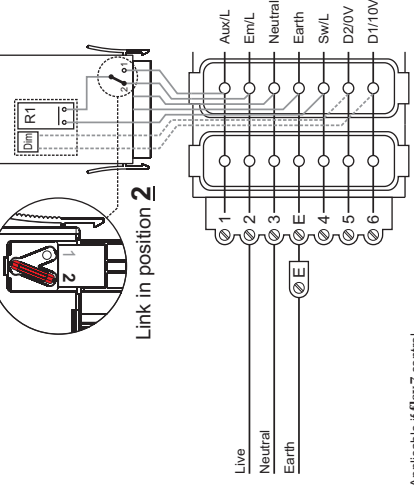
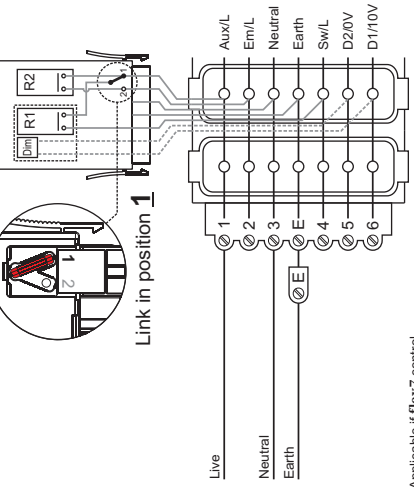
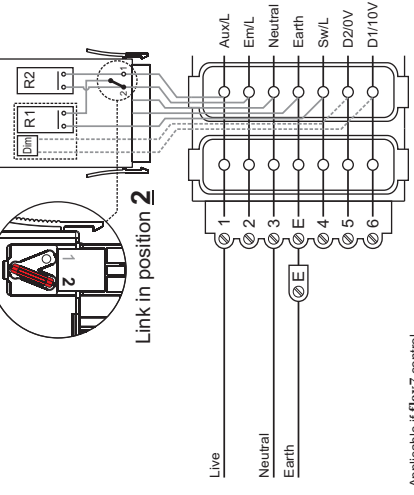
- Ensure drop rods are pitched at the appropriate spacings (see Table 1) and secure each bracket to a drop rod using two tie wraps for each drop rod.
- Prior to snapping-in the eZeBox unit, remove the appropriate knock-outs for cable/conduit entry.
- Clip the eZeBox unit securely into the fixing brackets.

## Fixing to conduit box



- Remove knock-out on base of wiring box for cable entry.
- Locate and secure the eZeBox unit onto the conduit box, break through the appropriate holes for the screw, (not supplied).
- Anchor other end of the eZeBox unit, by bending and fixing the support bracket.

# Wiring Options for the eZeBox Starter Units

<p>eZeBox wiring diagram</p>	<p>With local emergency test where non-emergency fittings can remain <b>ON</b> during an emergency test.</p>	<p>With local emergency test where non-emergency fittings will switch <b>OFF</b> during an emergency test.</p>	<p>Where there is no emergency circuit or the emergency test is remote.</p>
<p>Hard-Wired with third party lighting control device.</p>	 <p>Link in position <b>1</b></p> <p>Applicable if third party control has dimming output</p>	 <p>Link in position <b>2</b></p> <p>Applicable if third party control has dimming output</p>	 <p>Link in position <b>2</b></p> <p>Applicable if flex7 control device is dimming type</p>
<p>Using a flex 7 plug-in lighting control device.</p> <p>Compatible Controllers:</p> <p><b>Dimming</b></p> <ul style="list-style-type: none"> <li>fnc3000 fns3000</li> <li>fnc3400 fns3400</li> <li>fnc4000 fns3400/-</li> <li>fnc4000/-</li> </ul> <p><b>Non-dimming</b></p> <ul style="list-style-type: none"> <li>fnc1000 fns1000</li> <li>fnc1000/- fns1200</li> <li>fnc2000 fns1400</li> <li>fnc2000/- fns1200/-</li> <li>fnc1400/-</li> </ul>	 <p>Link in position <b>1</b></p> <p>Applicable if flex7 control device is dimming type</p>	 <p>Link in position <b>2</b></p> <p>Applicable if flex7 control device is dimming type</p>	 <p>Link in position <b>2</b></p> <p>Applicable if flex7 control device is dimming type</p>
<p>Using a flex 7 plug-in lighting control device with integrated emergency test.</p> <p>Compatible Controllers:</p> <p><b>Dimming</b></p> <ul style="list-style-type: none"> <li>fnc4000/E</li> <li>fnc4000/-/E</li> </ul> <p><b>Non-dimming</b></p> <ul style="list-style-type: none"> <li>fnc2000/E</li> <li>fnc2000/-/E</li> </ul>	 <p>Link in position <b>1</b></p> <p>Applicable if flex7 control device is dimming type</p>	 <p>Link in position <b>2</b></p> <p>Applicable if flex7 control device is dimming type</p>	<p><b>Warning: 230V AC</b></p> <p>This product should be installed and maintained in accordance with: BS 7671:2008 Requirements for Electrical Installations (IEE Wiring Regulations 17th Edition.)</p> <p><b>flex</b> Connectors  <b>flex</b> system</p> <p>Flex Connectors Limited, Unit 8 The Gate Centre,      Syon Gate Way, Brentford, Middlesex TW8 9DD, UK  <b>Telephone:</b> +44 (0) 20 8580 1066  <b>Fax:</b> +44 (0) 20 8580 1062  <b>Website:</b> www.flexconnectors.co.uk  <b>Email:</b> info@flexconnectors.co.uk</p> <p><b>EST</b> <b>CE</b></p>

eZeBox connection units have been designed and extensively tested for use with the flex 7 control range of sensors. Flex Connectors cannot guarantee compatibility with third party sensor products and cannot be held responsible for any deviance from expected performance that may arise as a result. Flex Connectors are happy to provide support where possible to ensure compatibility and compliance with British Standards. \* **Caution:** Wiring shown for third party control is indicative only. Refer to third party information.