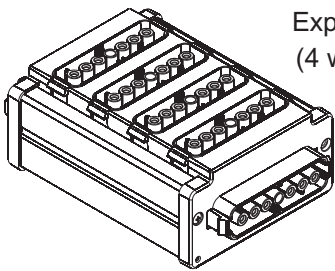



# eZeBox Expansion Unit (fxu--)



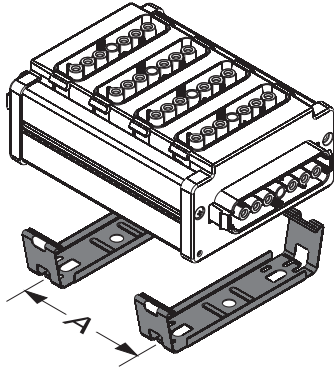
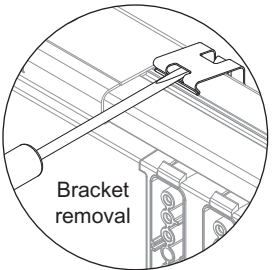
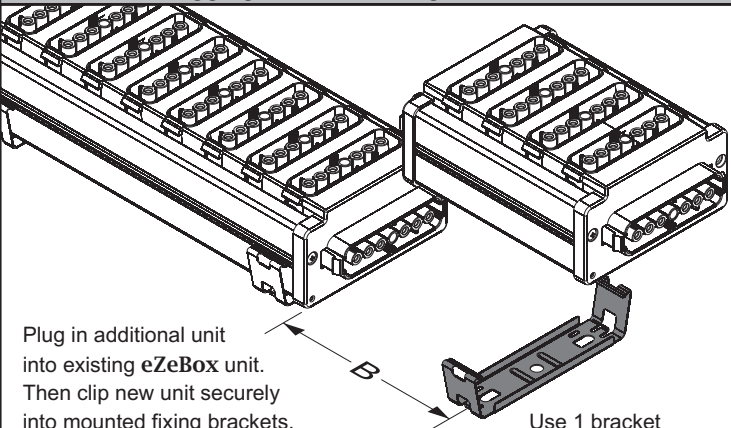
Expansion Unit  
(4 way shown)  
x1

Accessories supplied with the Expansion Unit:

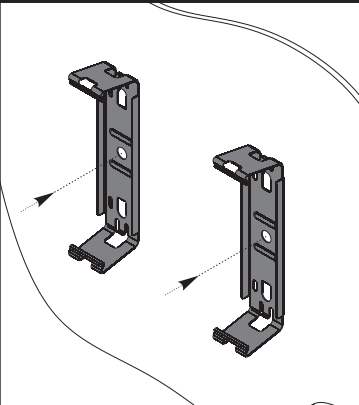


x1      x4      x2      x1      x2

## Bracket Spacing Guide

Bracket spacing guide for 'Stand Alone' units		Plugging into an existing eZeBox unit	
 <p>Use 2 brackets</p>	 <p>Bracket removal</p>	 <p>Plug in additional unit into existing eZeBox unit. Then clip new unit securely into mounted fixing brackets.</p> <p>Use 1 bracket</p>	
Outlets	Length A /mm	Outlets	Length B /mm
2 way	25 ± 2	2 way	50 ± 5
4 way	65 ± 5	4 way	100 ± 5
6 way	115 ± 5	6 way	145 ± 10
8 way	160 ± 10	8 way	195 ± 10
10 way	210 ± 10	10 way	245 ± 10
12 way	260 ± 10	12 way	295 ± 10

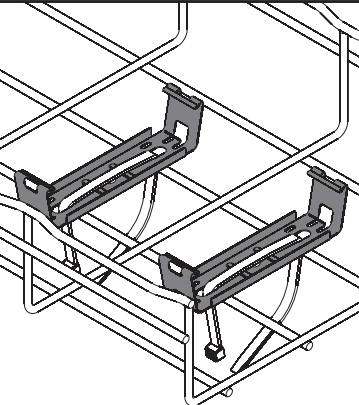
## Fixing Options



**Fixing to solid surface**

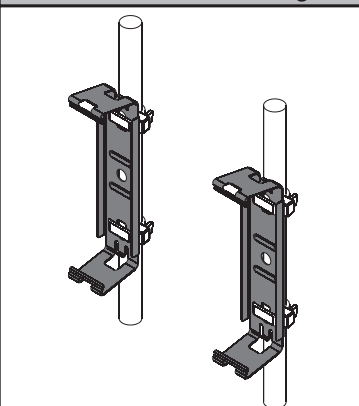
- At the appropriate spacings (see Bracket Spacing Guide) secure each bracket to the surface with a single screw \* (not supplied).
- Then clip the eZeBox unit securely into the mounted fixing brackets.

\* Ideal for nail gun and traditional woodscrew / wall plug fixing.



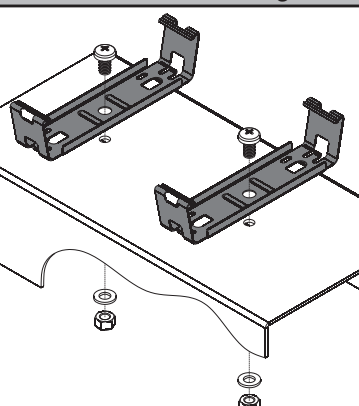
**Fixing to cable tray / wire basket**

- At the appropriate spacings (see Bracket Spacing Guide) secure each bracket to the cable tray using tie wraps provided.
- Then clip the eZeBox unit securely into the mounted fixing brackets.



**Fixing onto drop rods**

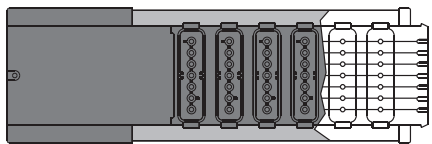
- Ensure drop rods are pitched apart at the appropriate spacings (see Bracket Spacing Guide).
- Secure each fixing bracket to a drop rod using two tie wraps provided for each drop rod.
- Then clip the eZeBox unit securely into the mounted fixing brackets.



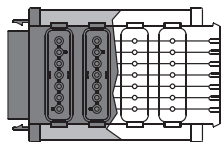
**Fixing to trunking mount**

- At the appropriate spacings (see Bracket Spacing Guide) secure each bracket to the trunking using the nut, bolt and washer fixings supplied.
- Then clip the eZeBox unit securely into the mounted fixing brackets.

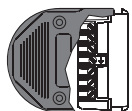
Starter Unit  
fsu---



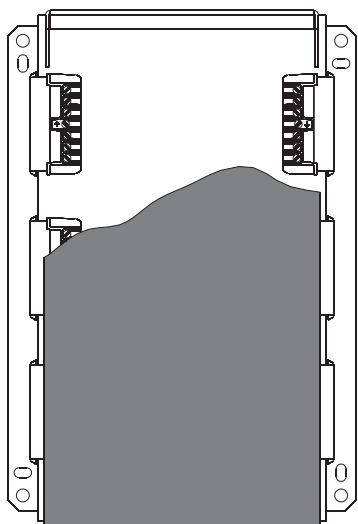
Expansion Unit  
fxu---  
Tap-off Unit  
ftu---



Single Socket  
fts--



Hub Unit  
fhu06



## Expansion Unit

The eZeBox Expansion Unit is a convenient method for extending both the lighting power and the lighting control from an existing unit or source device. Connecting to an existing eZeBox is either by plugging in unit-to-unit, or via a suitable Expansion Lead. Note that an Expansion Lead is always required if connecting back to a Single Socket or Hub Unit

### Plug-in direct unit-to-unit:

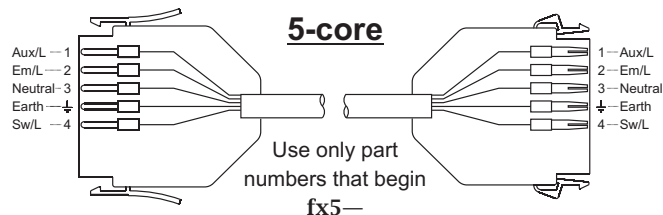
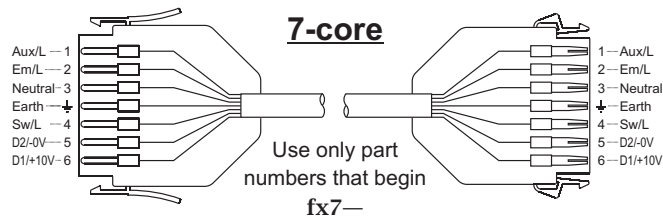
Simply expand the capacity of the previous unit.

### Plug-in via a 7-core Expansion Lead

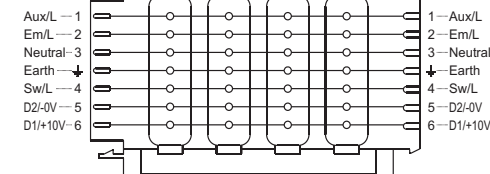
Normally used in applications where all lighting power and control (including dimming) is derived from the source device.

### Plug-in via a 5-core Expansion Lead

Normally used in applications where all lighting power and on/off control (excluding dimming) is derived from the source device.



Expansion Unit, fxu--



Flex Connectors Limited, Unit 8 The Gate Centre,  
Syon Gate Way, Brentford, Middlesex TW8 9DD, UK  
Telephone: +44 (0) 20 8580 1066  
Fax: +44 (0) 20 8580 1062  
Website: www.flexconnectors.co.uk  
Email: info@flexconnectors.co.uk

