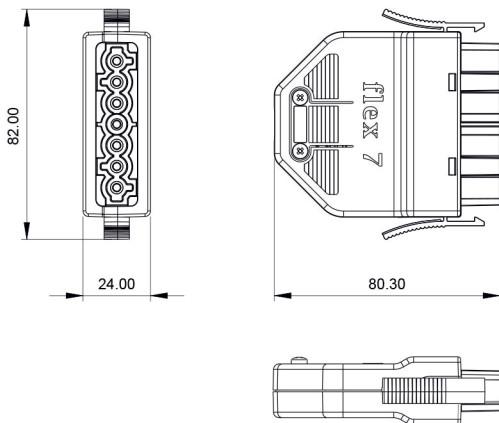


## 3,4 & 7-Pin Plugs



All measurements are in millimetres

### Rating

**Supply Voltage:** 230V~ 16A

Tested to BS5733

**Conformity:** LVD-2006/95/EC

Manufactured in black, red, white or grey PA6 UL94 V-0 rated.

Terminals accept single conductors from 0.50mm<sup>2</sup> to 4.00mm<sup>2</sup>

3 to 7 pins per plug, each rated at 16 amps, using flex7 plug format.

**Maximum cord grip size:** 11.50mmØ

Leads in PVC to BS EN 50525-2-11.

BASEC Approved.

(0.75mm<sup>2</sup> & 1.00mm<sup>2</sup> 3 & 4-cores)

Leads in LSHF to BS EN 50525-3-11

(0.75mm<sup>2</sup> to 1.50mm<sup>2</sup> 3 to 7-cores)