



### Product Information and Assembly Instructions - Starter Circuit Breaker Kit SCBKIT

#### CB12



The CB12 can be used to lock breakers which have no locking facilities.



- 1 Place circuit breaker in the OFF position (figure 1)
- 2 Place the CB12 over the circuit breaker toggle as shown (figure 2).
- 3 Using a small screwdriver, tighten the internal grub screw securing the CB12 onto the toggle (figure 3).
- 4 Place a lockout padlock through the hole as shown (figure 4).
- 5 Verify that the circuit breaker toggle is securely fastened and cannot be switched on (figure 5).

Locates prongs from inside

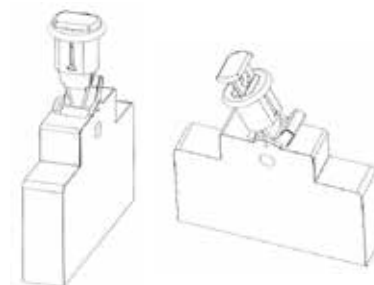


#### CB05

Push button operated, the model CB05 fits most popular breakers up to 60 Amp. Will also fit multi-pole breakers.

- 1 Push the button to release the prongs
- 2 Hold in position and place the two prongs into the two locating holes either side of the circuit breaker switch.
- 3 Lock in place using a padlock

**Remember**, the breaker must be in the "off" position before installing



Locates prongs from outside

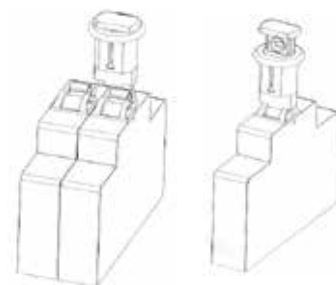


#### CB06

Push Button operated, the model CB06 fits most popular breakers up to 60 Amp. Will also fit multi-pole breakers.

- 1 Push the button to release the prongs
- 2 Hold in position and place the two prongs into the two locating holes either side of the circuit breaker switch.
- 3 Lock in place using a padlock

**Remember**, the breaker must be in the "off" position before installing



Locates prongs from inside

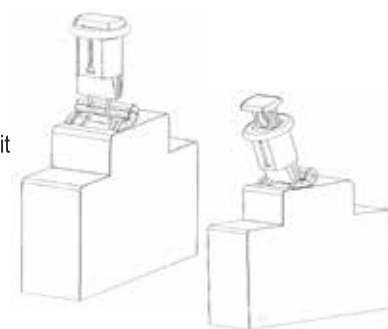


#### CB07

Push button operated, the model CB07 fits most popular breakers up to 60 Amp. Will also fit multi-pole breakers.

- 1 Push the button to release the prongs
- 2 Hold in position and place the two prongs into the two locating holes either side of the circuit breaker switch.
- 3 Lock in place using a padlock

**Remember**, the breaker must be in the "off" position before installing.



#### CB08

Adjustable thumb wheel operation, model CB08 fits larger or multi-pole circuit breakers connected with a cross bar. No holes in the breakers are required.

- 1 Unscrew the thumb wheel anti clockwise to release the clamp
- 2 Place the lockout over the breaker as shown and tighten the thumb wheel as required.
- 3 Lock in place using a padlock

**Remember**, the breaker must be in the "off" position before installing.

