

Screw connection with stud technology
Feed-through terminal blocks - WF and WFF

WF 6/2BZ

35 mm²

Screw thread M6



WF 8/2BZ

50 mm²

Screw thread M8



Width/Height/Depth	mm
max. current / max. cond. cross-section	A
Max. clamping range	mm ²

17.8 x 67 x 54.5
125 / 35
2.5...35

22.8 x 67 x 63.5
150 / 50
2.5...50

Technical data

Rated data with Wemid partition wall	
Rated voltage	V
Rated current	A
for wire cross-section	mm ²
Rated impulse withstand voltage / Pollution severity	
Gauge to IEC 60947-1 / UL 94 flammability rating	
Approvals	

IEC	UL	CSA	EN 60079-7
1000	1000	1000	
125	115	115	
35			
8 kV / 3			
/ V-0			

IEC	UL	CSA	EN 60079-7
1000	1000	1000	
150	150	150	
50			
8 kV / 3			
/ V-0			

Clamped cable lugs

- Cable lug to DIN 46234
- 2 x cable lugs DIN 46 234
- Cable lug to DIN 46235
- 2 x cable lugs DIN 46 235
- Tightening torque min./max.

2.5...35 mm ²
2.5 to 35 mm ²
6...25 mm ²
6...25 mm ²
3...6 Nm

2.5...50 mm ²
2.5 to 50 mm ²
6...35 mm ²
6...35 mm ²
6...12 Nm

Note

1000 V UL and CSA for usage groups B and C: can be used with isolating terminal rails and when using WTW-type partitions.

1000 V UL and CSA for usage groups B and C: can be used with isolating terminal rails and when using WTW-type partitions.

Ordering data

Version	dark beige
Note	

Type	Qty.	Order No.
WF 6/2BZ	25	1789770000
1000 VDC rated voltage tested.		

Type	Qty.	Order No.
WF 8/2BZ	25	1789780000
1000 VDC rated voltage tested.		

Accessories

Cross-connector	2-pole
	3-pole
Auxiliary/control connection	up to 4 mm ² , 32 A
Spacer	dark beige
	Beige epoxy resin
End bracket	dark beige
Hood transparent	Hood transparent 1000 mm
Holder for shrouding cover transparent	Holder for shrouding cover, transparent
Marking tags	

Type	Qty.	Order No.
WQL 2 WF6	125 A	5 1780970000
WQL 3 WF6	125 A	5 1780980000
WZAF 35	32 A	10 1070500000
WTW WF10/WF12	20	1780890000
WTW WF6 2300	20	1781230000
WEW 35/2	50	1061200000
ADP WF10/WF12	1	1780940000
HA ADP WF6/WF10	10	1781050000
WS 12/5 MC NE WS	720	1609860000

Type	Qty.	Order No.
WQL 2 WF8	150 A	5 1780990000
WQL 3 WF8	150 A	5 1781000000
WZAF 70	32 A	10 1066200000
WTW WF10/WF12	20	1780890000
WTW WF8 2300	20	1780910000
WEW 35/2	50	1061200000
ADP WF10/WF12	1	1780940000
HA ADP WF6/WF10	10	1781050000
WS 12/5 MC NE WS	720	1609860000

For detailed information on other accessories and application in the online catalogue

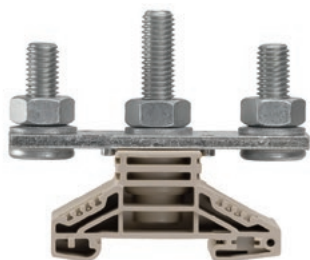
With WTW...2300 made from epoxy resin, rated current 2300 V according to DIN EN 50124 pt 1

With WTW...2300 made from epoxy resin, rated current 2300 V according to DIN EN 50124 pt 1

WF 10/2BZ

120 mm²

Screw thread M10



33.8 x 87.6 x 72.5
269 / 120
6...120



IEC	UL	CSA	EN 60079-7
1000	1000	1000	
269	230	230	
120			

8 kV / 3
/ V-0



6...120 mm²
6 to 120 mm²
10...95 mm²
10...95 mm²
10...20 Nm

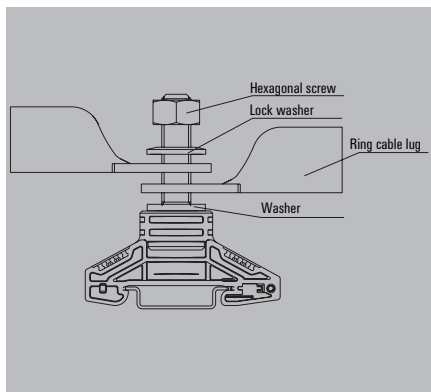
1000 V UL and CSA for usage groups B and C; can be used with isolating terminal rails and when using WTW-type partitions.

Type	Qty.	Order No.
WF 10/2BZ	10	1789790000

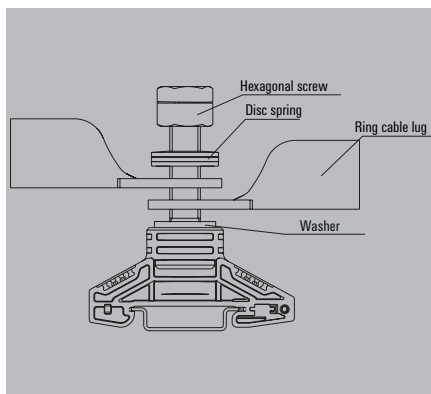
1000 VDC rated voltage tested.

Type	Qty.	Order No.
WQL 2 WF10	269 A 5	1781010000
WQL 3 WF10	269 A 5	1781020000
WZAF 120	32 A 10	1066300000
WTW WF10/WF12	20	1780890000
WTW WF10/WF12 2300	20	1780920000
WEW 35/2	50	1061200000
ADP WF10/WF12	1	1780940000
HA ADP WF6/WF10	10	1781050000

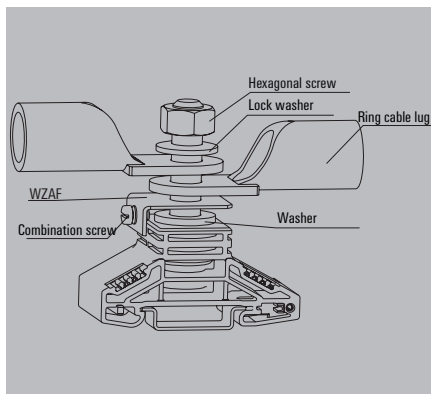
Stud connection series WF



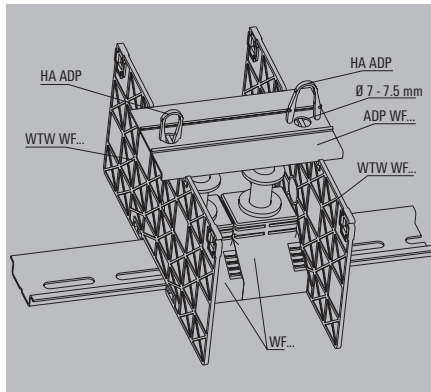
Stud connection series WF NFF



Auxiliary/control line connection WZAF



Application example



Structure to use cover profiles (ADP WF) on the partition plates (WTW WF) with the relevant holders (HA ADP).

Drilled holes for cover profiles 7-7.5 mm

With WTW...2300 made from epoxy resin, rated current 1500 V up to 70 mm² according to DIN EN 50124 pt 1

