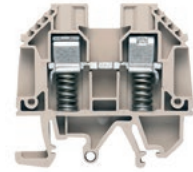
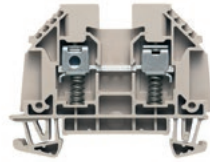


WDU 4 SL

4 mm²

WDU 4 SL/EN

4 mm²



Width/Height/Depth	mm
max. current / max. cond. cross-section	A/mm ²
Max. clamping range	mm ²

6.1 x 60 x 46.5	41 / 6	0.22...6
-----------------	--------	----------

6.1 x 60 x 51.5	41 / 6	0.22...6
-----------------	--------	----------

Technical data

Rated data	
Rated voltage	V
Rated current	A
for wire cross-section	mm ²
Rated impulse withstand voltage / Pollution severity	
Gauge to IEC 60947-1 / UL 94 flammability rating	
Approvals	
Clamped conductors (H05V/H07V)	
Solid / Stranded	mm ²
Flexible / Flexible with ferrule	mm ²
Tightening torque / Clamping screw	Nm
Stripping length / Blade size	mm/-
2 conductors with same cross-section (H05V/H07V)	
Solid / Stranded	-
Flexible / Flexible with ferrule	mm ²
Note	

IEC 60947-1	Ex eb II C Gb	Ex	II 2 G D
IEC	UL	CSA	EN 60079-7
690	600	300	440
32	30	25	32
4	AWG 22...10	AWG 22...10	4 mm ²
6 kV / 3			
A4 / V-0			
DEMKO14ATEX1338U			
Rated connection	Further connection		
0.5...6 / 1.5...6			
0.5...4			
0.5...1 / (M 3)			
15 / 0.6 x 3.5 mm			
0.5...1.5 / 0.5...1.5			

IEC 60947-1	Ex eb II C Gb	Ex	II 2 G D
IEC	UL	CSA	EN 60079-7
690	600	300	690
32	30	25	32
4	AWG 22...10	AWG 22...10	4 mm ²
6 kV / 3			
A4 / V-0			
DEMKO14ATEX1338U			
Rated connection	Further connection		
0.5...6 / 1.5...6			
0.5...4			
0.5...1 / (M 3)			
15 / 0.6 x 3.5 mm			
0.5...1.5 / 0.5...1.5			

Ordering data

Version	
dark beige	
dark beige	
Blue	
Note	

Type	Qty.	Order No.
WDU 4 SL	50	9537440000
WDU 4 SL BL	50	9203060000

Type	Qty.	Order No.
WDU 4 SL/EN	50	9537450000

Accessories

Screwable cross-connection	
2-pole	
10-pole	
End plate / Partition plate	
dark beige	
dark beige	
Blue	
Blue	
End bracket	
dark beige	
Testing / Checking	
Standard	
Cover	
Blank, yellow	
Blank, white	
Hak. Cable lugs	
Marking tags	
Plug-in cross-connection	
2-pole	
10-pole	
For detailed information on other accessories and application in the online catalogue	

Type	Qty.	Order No.
WQV 4/2	41 A 50	1051960000
WQV 4/10	41 A 20	1052060000
WAP 2.5-10	50	1050000000
WAP 16*35 WTW 2.5-10	20	1050100000
WEW 35/2	50	1061200000
WTA 3 WDU4	6 A 25	1632350000
HBT 1.5 - 3,0 RT	100	1312440000
HBT 2,5 - 3,0 BL	100	1312450000
WS 12/6 MC NE WS	600	1609900000
ZQV 4N/2	32 A 60	1527930000
ZQV 4N/10	32 A 20	1528090000

Type	Qty.	Order No.
WQV 4/2	41 A 50	1051960000
WQV 4/10	41 A 20	1052060000
WAP 2.5-10	50	1050000000
WAP 16*35 WTW 2.5-10	20	1050100000
WEW 35/2	50	1061200000
WTA 3 WDU4	6 A 25	1632350000
HBT 1.5 - 3,0 RT	100	1312440000
HBT 2,5 - 3,0 BL	100	1312450000
WS 12/6 MC NE WS	600	1609900000
ZQV 4N/2	32 A 60	1527930000
ZQV 4N/10	32 A 20	1528090000

Screw connection with clamping yoke technology (W-Series)

Feed-through terminal blocks

Universal range

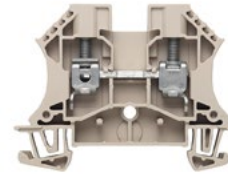
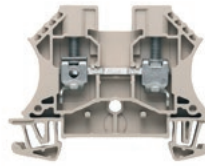
A

WDU 6

6 mm²

WDU 6 HV

6 mm²



Width/Height/Depth	mm
max. current / max. cond. cross-section	A/mm ²
Max. clamping range	mm ²

7.9 x 60 x 46.5	
57 / 10	
0.22...10	

7.9 x 60 x 46.5	
57 / 10	
0.22...10	

Technical data

Rated data	
Rated voltage	V
Rated current	A
for wire cross-section	mm ²
Rated impulse withstand voltage / Pollution severity	
Gauge to IEC 60947-1 / UL 94 flammability rating	
Approvals	
Clamped conductors (H05V/H07V)	
Solid / Stranded	mm ²
Flexible / Flexible with ferrule	mm ²
Tightening torque / Clamping screw	Nm
Stripping length / Blade size	mm/-
2 conductors with same cross-section (H05V/H07V)	
Solid / Stranded	mm ²
Flexible / Flexible with ferrule	mm ²
Note	

IEC 60947-7-1

Ex eb II
C Gb II 2 G D

IEC	UL	CSA	EN 60079-7
800	600	600	690
41	50	50	41
6	AWG 22...8	AWG 22...8	6 mm ²
8 kV / 3			
A5 / V-0			
Rated connection		Further connection	
0.5...10 / 1.5...10			
0.5...10 / 0.5...6			
0.8...1.6 / (M 3.5)			
12 / 0.8 x 4.0 mm			
0.5...2.5			
0.5...2.5 / 0.5...2.5			

IEC 60947-7-1

IEC	UL	CSA	EN 60079-7
1000			
41			
6			
8 kV / 3			
A5 / V-0			
Rated connection		Further connection	
0.5...10 / 1.5...10			
0.5...10 / 0.5...6			
0.8...1.6 / (M 3.5)			
12 / 0.8 x 4.0 mm			
0.5...2.5			
0.5...2.5 / 0.5...2.5			

Ordering data

Version	
	dark beige
	dark beige
	Blue
Note	

Type	Qty.	Order No.
WDU 6	100	1020200000
WDU 6 BL	100	1020280000

Type	Qty.	Order No.
WDU 6 HV	100	1412970000
WDU 6 IR	100	1393350000

Accessories

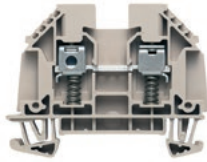
Screwable cross-connection	
	2-pole
	10-pole
End plate / Partition plate	
	dark beige
	dark beige
	Blue
	Blue
End bracket	
	dark beige
Testing / Checking	
	Standard
Cover	
	Blank, yellow
	Blank, white
Hak. Cable lugs	
Marking tags	
	DEK 5/8 MC NE WS
	WS 12/6.5 MC NE WS
	WS 8/8 MM WS
	DEK 5/8 MM WS
Plug-in cross-connection	
	2-pole
	10-pole
For detailed information on other accessories and application in the online catalogue	

Type	Qty.	Order No.
WQV 6/2	57 A 50	1052360000
WQV 6/10	57 A 20	1052260000
WAP 2.5-10	50	1050000000
WAP 16+35 WTW 2.5-10	20	1050100000
WAP 2.5-10 BL	50	1050080000
WAP 16+35 WTW 2.5-10 BL	20	1050180000
WEW 35/2	50	1061200000
WTA 3 WDU4	6 A 25	1632350000
WAD 8 MC NE GE	48	1112950000
WAD 8 MC NE WS	48	1112940000
DEK 5/8 MC NE WS	800	1856740000
WS 12/6.5 MC NE WS	540	1609920000
WS 8/8 MM WS	500	2007170000
DEK 5/8 MM WS	500	2007130000

Type	Qty.	Order No.
WQV 6/2	57 A 50	1052360000
WQV 6/10	57 A 20	1052260000
WAP 2.5-10	50	1050000000
WAP 16+35 WTW 2.5-10	20	1050100000
WAP 2.5-10 BL	50	1050080000
WAP 16+35 WTW 2.5-10 BL	20	1050180000
WEW 35/2	50	1061200000
WTA 3 WDU4	6 A 25	1632350000
WAD 8 MC NE GE	48	1112950000
WAD 8 MC NE WS	48	1112940000
DEK 5/8 MC NE WS	800	1856740000
WS 12/8 PLUS MC NE WS	420	1906000000
WS 8/8 MM WS	500	2007170000
DEK 5/8 MM WS	500	2007130000

WDU 6 SL

6 mm²



7.9 x 60 x 46.5
57 / 6
0.5...6



IEC 60947-7-1 Ex eb II C Gb II 2 G D

IEC	UL	CSA	EN 60079-7
630	150	300	275
41	50	45	40
6	AWG 20...8	AWG 20...8	6 mm ²

6 kV / 2
A5 / V-0

DEMKO14ATEX1338U

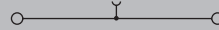
Rated connection	Further connection
0.5...6 6	
0.5...6	
0.8...1.6 / (M 3.5)	
16 / 0.8 x 4.0 mm	

WDU 6 SL/EN

6 mm²



7.9 x 60 x 51.1
57 / 6
0.5...6



IEC 60947-7-1 Ex eb II C Gb II 2 G D

IEC	UL	CSA	EN 60079-7
690	150	300	440
41	50	45	40
6	AWG 20...8	AWG 20...8	6 mm ²

6 kV / 3
A5 / V-0

DEMKO14ATEX1338U

Rated connection	Further connection
0.5...6 6	
0.5...6	
0.8...1.6 / (M 3.5)	
16 / 0.8 x 4.0 mm	

Type	Qty.	Order No.
WDU 6 SL	50	9537460000

Type	Qty.	Order No.
WDU 6 SL/EN	50	9537470000

Type	Qty.	Order No.
WQV 6/2	57 A 50	1052360000
WQV 6/10	57 A 20	1052260000
WAP 2.5-10	50	1050000000
WAP 16*35 WTW 2.5-10	20	1050100000
WEW 35/2	50	1061200000
WTA 5/1	6 A 25	1051260000
WAD 8 MC NE GE	48	1112950000
WAD 8 MC NE WS	48	1112940000
HBT 1,5 - 4,6 RT	100	1233340000
HBT 2,5 - 4,6 BL	100	1233330000
HBT 6,0 - 4,6 GE	100	1216230000
DEK 5/8 MC NE WS	800	1856740000
WS 12/6.5 MC NE WS	540	1609920000
WS 8/8 MM WS	500	2007170000
DEK 5/8 MM WS	500	2007130000

Type	Qty.	Order No.
WQV 6/2	57 A 50	1052360000
WQV 6/10	57 A 20	1052260000
WAP 2.5-10	50	1050000000
WAP 16*35 WTW 2.5-10	20	1050100000
WEW 35/2	50	1061200000
WTA 5/1	6 A 25	1051260000
WAD 8 MC NE GE	48	1112950000
WAD 8 MC NE WS	48	1112940000
HBT 1,5 - 4,6 RT	100	1233340000
HBT 2,5 - 4,6 BL	100	1233330000
HBT 6,0 - 4,6 GE	100	1216230000
DEK 5/8 MC NE WS	800	1856740000
WS 12/6.5 MC NE WS	540	1609920000
WS 8/8 MM WS	500	2007170000
DEK 5/8 MM WS	500	2007130000



Screw connection with clamping yoke technology (W-Series)

Feed-through terminal blocks

Universal range

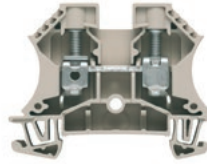
A

WDU 10

10 mm²

WDU 10 IR

10 mm²



Width/Height/Depth	mm
max. current / max. cond. cross-section	A/mm ²
Max. clamping range	mm ²

9.9 x 60 x 46.5
76 / 16
1.31...16

9.9 x 60 x 46.5
76 / 16
1.31...16

Technical data

Rated data	
Rated voltage	V
Rated current	A
for wire cross-section	mm ²
Rated impulse withstand voltage / Pollution severity	
Gauge to IEC 60947-1 / UL 94 flammability rating	
Approvals	
Clamped conductors (H05V/H07V)	
Solid / Stranded	mm ²
Flexible / Flexible with ferrule	mm ²
Tightening torque / Clamping screw	Nm
Stripping length / Blade size	mm/-
2 conductors with same cross-section (H05V/H07V)	
Solid / Stranded	mm ²
Flexible / Flexible with ferrule	mm ²
Note	

IEC 60947-1 Ex eb II C Gb II 2 G D

IEC	UL	CSA	EN 60079-7
1000	600	600	690
57	65	65	57
10	AWG 18...6	AWG 18...6	10 mm ²
8 kV / 3			
B6 / V-0			
DEMKO14ATEX1338U			
Rated connection		Further connection	
1.5...16 / 1.5...16			
1.5...16 / 1.5...16			
1.2...1.9 / (M 4)			
12 / 1.0 x 5.5 mm			
0.5...6 / 0.5...6			
0.5...6 / 0.5...6			

IEC 60947-1 Ex eb II C Gb II 2 G D

IEC	UL	CSA	EN 60079-7
1000	600	600	690
57	65	65	57
10	AWG 18...6	AWG 18...6	10 mm ²
8 kV / 3			
B6 / V-0			
DEMKO14ATEX1338U			
Rated connection		Further connection	
1.5...16 / 1.5...16			
1.5...16 / 1.5...16			
1.5...1.8 / (M 4)			
12 / TX 15			

Ordering data

Version	
	dark beige
	Blue
	dark beige (combi clip-on foot TS 32/25)
	black (combi clip-on foot TS 32/25)
Note	

Type	Qty.	Order No.
WDU 10	50	1020300000
WDU 10 BL	50	1020380000

Type	Qty.	Order No.
WDU 10 IR	50	1393380000

Accessories

Screwable cross-connection	
	2-pole
	10-pole
End plate / Partition plate	
	dark beige
	Blue
	dark beige
	Blue
End bracket	
	dark beige
Testing / Checking	
	Standard
Cover	
	Blank, yellow
	Blank, white
Hak. Cable lugs	
Marking tags	
For detailed information on other accessories and application in the online catalogue	

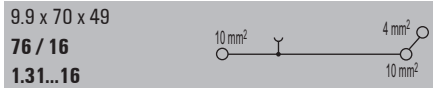
Type	Qty.	Order No.	
WQV 10/2	76 A	50	1052560000
WQV 10/10	63 A	20	1052460000
WAP 2.5-10	50	1050000000	
WAP 2.5-10 BL	50	1050080000	
WAP 16+35 WTW 2.5-10	20	1050100000	
WAP 16+35 WTW 2.5-10 BL	20	1050180000	
WEW 35/2	50	1061200000	
WTA 3 WDU4	6 A	25	1632350000
WAD 8 MC NE GE	48	1112950000	
WAD 8 MC NE WS	48	1112940000	
DEK 5/5 MC NE WS	1000	1609801044	
WS 12/6.5 MC NE WS	540	1609920000	

Type	Qty.	Order No.	
WQV 10/2	76 A	50	1052560000
WQV 10/10	63 A	20	1052460000
WAP 2.5-10	50	1050000000	
WAP 2.5-10 BL	50	1050080000	
WAP 16+35 WTW 2.5-10	20	1050100000	
WAP 16+35 WTW 2.5-10 BL	20	1050180000	
WEW 35/2	50	1061200000	
WTA 5/1	6 A	25	1051260000
WAD 8 MC NE GE	48	1112950000	
WAD 8 MC NE WS	48	1112940000	
DEK 5/5 MC NE WS	1000	1609801044	
WS 12/6.5 MC NE WS	540	1609920000	

WDU 10/ZR

10 mm²

Additional connection on right 4 mm²



IEC 60947-7-1

IEC	UL	CSA	EN 60079-7
800	600	600	
57	65	65	
10	AWG 16...6	AWG 16...6	
8 kV / 3			
B6, A4 / V-0			

Rated connection		Further connection
1.5...16 / 1.5...16		0.5...6 / 1.5...4
1.5...16 / 1.5...16		0.5...4 / 0.5...4
1.2...1.9 / (M 4)		
12 / 0.6 x 3.5 mm		10 / 0.6 x 3.5 mm

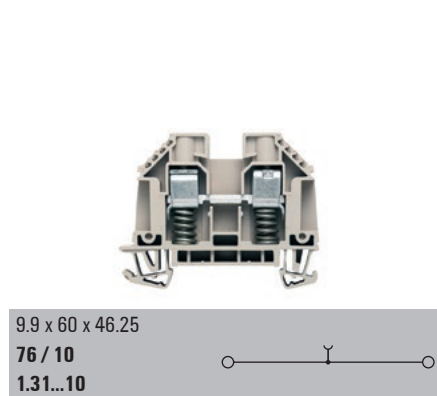
0.5...6
1...6 / 1...6

Type	Qty.	Order No.
WDU 10/ZR	50	1042400000
WDU 10/ZR BL	50	1042480000

Type	Qty.	Order No.
WQV 10/2	76 A 50	1052560000
WQV 10/10	63 A 20	1052460000
WEW 35/2	50	1061200000
WTA 5/1	6 A 25	1051260000
WAD 8 MC NE GE	48	1112950000
WAD 8 MC NE WS	48	1112940000
HBT 1,5 - 4,6 RT	100	1233340000
HBT 2,5 - 4,6 BL	100	1233330000
HBT 6,0 - 4,6 GE	100	1216230000
DEK 5/5 MC NE WS	1000	1609801044
WS 12/6.5 MC NE WS	540	1609920000

WDU 10 SL

10 mm²



IEC 60947-7-1

IEC	UL	CSA	EN 60079-7
630	150	300	352
57	50	65	55
10	AWG 16...8	AWG 16...6	10 mm ²
6 kV / 2			
A5 / V-0			

Rated connection		Further connection
1.5...10 / 1.5...10		
1...6		
1.2...2.4 / (M 4)		
17 / 1.0 x 5.5 mm		

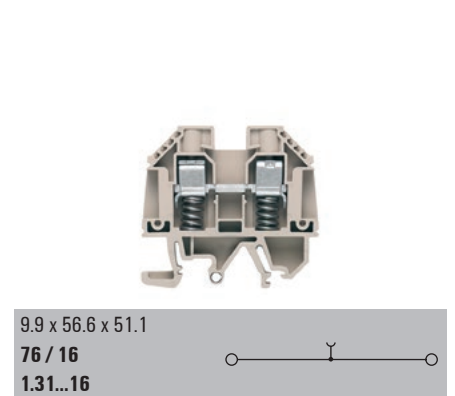
2.5...4 / 1...4

Type	Qty.	Order No.
WDU 10 SL	50	9537480000

Type	Qty.	Order No.
WQV 10/2	76 A 50	1052560000
WQV 10/10	63 A 20	1052460000
WAP 2.5-10	50	1050000000
WAP 2.5-10 BL	50	1050080000
WAP 16*35 WTW 2.5-10	20	1050100000
WEW 35/2	50	1061200000
WTA 5/1	6 A 25	1051260000
WAD 8 MC NE GE	48	1112950000
WAD 8 MC NE WS	48	1112940000
HBT 1,5 - 4,6 RT	100	1233340000
HBT 2,5 - 4,6 BL	100	1233330000
HBT 6,0 - 4,6 GE	100	1216230000
DEK 5/5 MC NE WS	1000	1609801044
WS 12/6.5 MC NE WS	540	1609920000

WDU 10 SL/EN

10 mm²



IEC 60947-7-1

IEC	UL	CSA	EN 60079-7
690	600	300	550
57	50	65	55
10	AWG 16...8	AWG 16...6	10 mm ²
6 kV / 3			
A6 / V-0			

Rated connection		Further connection
1.5...16 / 1.5...16		
1...6		
1.2...2.4 / (M 4)		
17 / 1.0 x 5.5 mm		

2.5...4 / 1...4

Type	Qty.	Order No.
WDU 10 SL/EN	50	9537490000
WDU 10 SL/EN SW	50	9537410000

Type	Qty.	Order No.
WQV 10/2	76 A 50	1052560000
WQV 10/10	63 A 20	1052460000
WAP 2.5-10	50	1050000000
WAP 2.5-10 BL	50	1050080000
WAP 16*35 WTW 2.5-10	20	1050100000
WEW 35/2	50	1061200000
WTA 5/1	6 A 25	1051260000
WAD 8 MC NE GE	48	1112950000
WAD 8 MC NE WS	48	1112940000
HBT 1,5 - 4,6 RT	100	1233340000
HBT 2,5 - 4,6 BL	100	1233330000
HBT 6,0 - 4,6 GE	100	1216230000
DEK 5/5 MC NE WS	1000	1609801044
WS 12/6.5 MC NE WS	540	1609920000