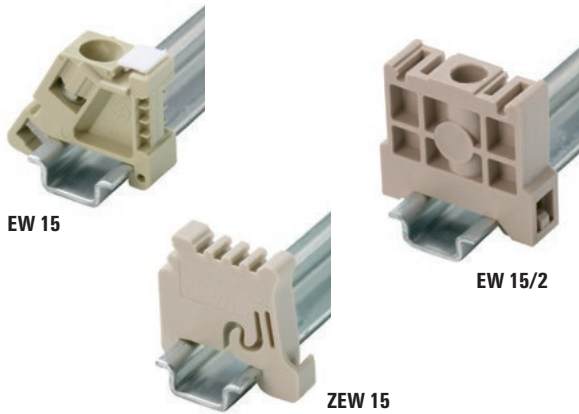
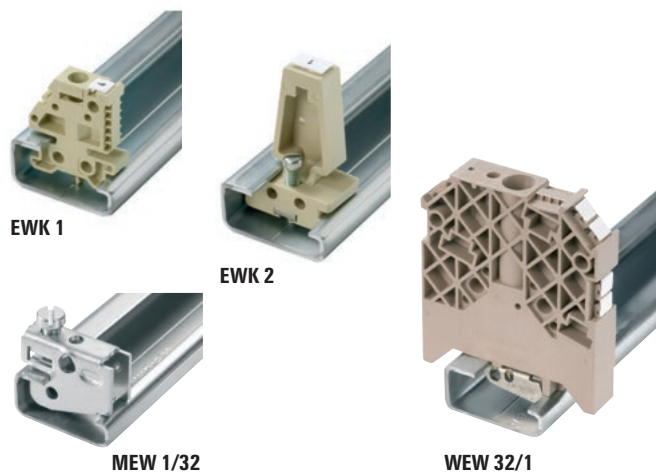


for TS 15 terminal rail



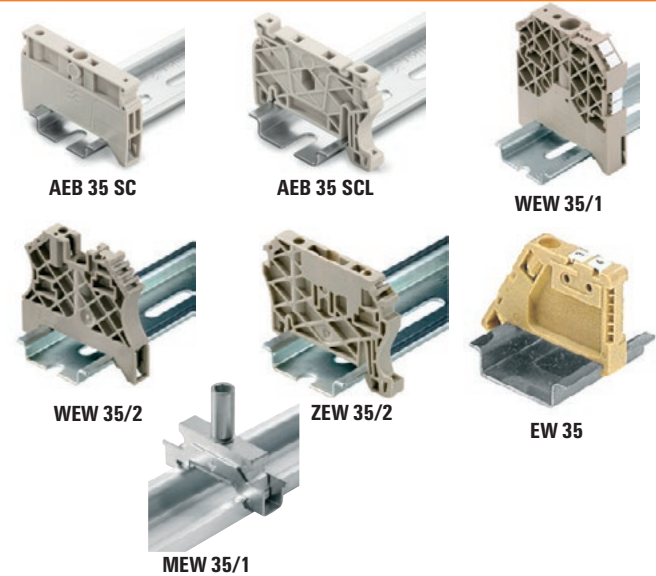
Type	Colour	Torque	Qty.	Order No.
Polyamide 66, screwable				
EW 15	beige	0.5 Nm	50	0382860000
Polyamide with fibre glass, screwable				
EW 15/2	dark beige	0.5 Nm	50	1071900000
Polyamide 66, screwless				
ZEW 15	beige		20	7920340000

for TS 32 terminal rail



Type	Colour	Torque	Qty.	Order No.
Polyamide 66, screwable				
EWK 2	beige	0.5 Nm	50	0199360000
EWK 1	beige	0.5 Nm	50	0206160000
Polyamide with fibre glass, screwable				
WEW 32/1	dark beige		50	1067600000
Metal, screwable				
MEW 1/32	grey		20	0445600000

for TS 35 terminal rail



Type	Colour	Torque	Qty.	Order No.
Polyamide with fibre glass, screwable				
AEB 35 SC/1	dark beige	0.5 Nm	50	1991920000
AEB 35 SC/1 BK	black	0.5 Nm	50	2475310000
WEW 35/1	dark beige	1.2 Nm	50	1059000000
WEW 35/2	dark beige	0.5 Nm	50	1061200000
WEW 35/1 GR	grey	1.2 Nm	50	1227890000
WEW 35/1 SW	black	1.2 Nm	50	1162600000
WEW 35/2 GR	grey	0.5 Nm	100	1859200000
WEW 35/2 SW	black	0.5 Nm	50	1061210000
Polyamide 66, screwless				
AEB 35 SCL/1 V0	dark beige		20	2661280000
AEB 35 SCL/1 V0 BK	black		20	2661300000
AEB 35 SCL/1 V0 GY	Light Grey		20	2661290000
ZEW 35	dark beige		20	9540000000
ZEW 35/2	dark beige		20	8630740000
ZEW 35 GR	grey		20	1238040000
ZEW 35/2 GR	grey		20	1227850000
ZEW 35/2 SW	black		20	1162610000
Polyamide 66, screwable				
EW 35	beige	0.5 Nm	50	0383560000
EW 35 GR 7032	grey	0.5 Nm	50	0383530000
EW 35 DB	dark beige	0.5 Nm	50	1269050000
Metal, screwable				
MEW 35/1	grey		10	1805610000