

Mounting accessories – Busbars

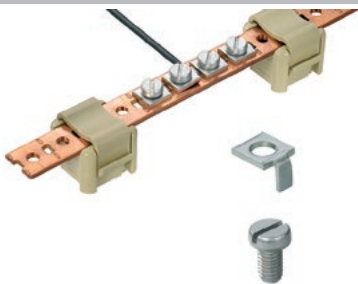
Busbars, unslotted



SSch

Type	Material	Dimensions	Rated current	Qty.	Order No.
SSCH 6X6X1000 CU/SN	Copper	6 / 6 / 1000 mm	140 A	1 M	0571300000
SSCH 7.3X1.2X1000	Copper	7.3 / 1.2 / 1000 mm		1 M	1071200000
SSCH 10X3X1000 CU/SN	Copper	10 / 3 / 1000 mm	140 A	1 M	0348900000
SSCH 10X3X1000 ST/ZN	Steel	10 / 3 / 1000 mm		1 M	0438000000
SSCH 10X3X2000 CU VERZ.	Copper	10 / 3 / 2000 mm		2 M	1397000000
SSCH 15X6X1000 CU/SN	Copper	15 / 6 / 1000 mm	265 A	1 M	0357400000

Busbars, slotted



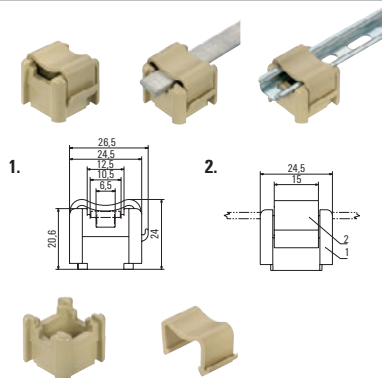
NSch / ESch

Type	Material	Dimensions	Rated current	Qty.	Order No.
ESCH 1 M	Steel	1000 / 2 / 12 mm	24 A	10 M	0280300000
NSCH 1M	Copper	1000 / 2 / 15 mm	24 A	10 M	0280200000
NSCH 2M	Copper	2000 / 2 / 15 mm	24 A	2 M	1313600000
Pressure piece				Qty.	Order No.
DKSUE NSCH/ESCH				100	0280100000
Clamping screw					
BFSC M5X8 SCHLITZ				100	0296700000

For solid conductors and cable lugs according to DIN 46234.

Rail support

With yoke and base



SH 1

Type	Material	Dimensions	Qty.	Order No.	
SH 1	Polyamide 66	26 / 24 / 24.5 mm	20 ST	0299860000	
Individual parts				Qty.	Order No.
SD SH1				20	0401460000
KLBUE SH1				20	0635960000
Mounting screw					
BFSC M4X9T				100	0103300000
BFSC M4X30				50	0267100000

SH 1: for busbar cross-section 10 x 3, 6 x 6, 15 x 2, 12 x 2, 15 x 2, 15 x 6