

## 374C-1 Occupancy Ceiling Mounted PIR Timer – Three wire

The 374C-1 Ceiling Mounted PIR Timer is part of the Elkay family of switches, timers and detectors which save energy and increase convenience in and around your home or business premises.



### Product description

The 374C-1 Occupancy Sensor is one of the best Elkay compact all-in-one Ceiling Mount PIR on the market. All in one solution Flush Mount Occupancy Sensor with a White fascia colour. It has a green feedback LED so it is clear that the item is working and detecting. Installers love this product because of the price which allows them to be completely flexible on projects where cost and reliability is a key factor.

### Key attributes:

6A all load type switching whatever the load including LED (so no need to de-rate for LED). The product can be both presence and absence with the addition of a one-way switch or grid switch. (see diagram). It has an in-built sensitivity sensor that detection of moving body heat within its detection range and switches the load ON. When body movement is no longer detected, the unit will switch OFF after the adjustable delay time has elapsed following no further detection.

This multi-feature intelligent timer has a Lux level adjustment control that enable the sensor to measure the ambient light levels and prevents the lighting being switched ON when there is sufficient light in the area been monitored. It also provides variable time delay operation timing from 30 seconds to 30 minutes. Both adjustable controls are conveniently located for ease of access under the removeable fascia.

The surface mount cup is sold separately to this item and is available under Part No **230A-1** from Elkay.

### Typical Product usage

The 374C-1 Occupancy Sensor is commonly used to control all types of internal loads from lighting, heating and ventilation and is very popular for use in all situations for controlling loads where the load is only required in people's presence or absence. The product requires a neutral. Applications for suitable use include lighting such as LED lighting, fluorescent and compact fluorescent lighting as well as inductive, resistive, and incandescent lighting and certain heating and ventilation applications\*

## Key features

- 6A any load type
- 3 wire (Live, Switch live and Neutral required)
- Lux level Adjustment control - Manual
- Timing – 30 second to 30 minutes.
- Supplied with a white fascia cover.
- Fixing – Flush mounted only (64mm hole cut out)
- Automatically resets timing sequence if detecting movement.
- Can be interlinked with other 374C-1 timers for multiple switching.
- 360° detection utilising a circular beam.
- 7-10 m detection range
- Green Feedback LED

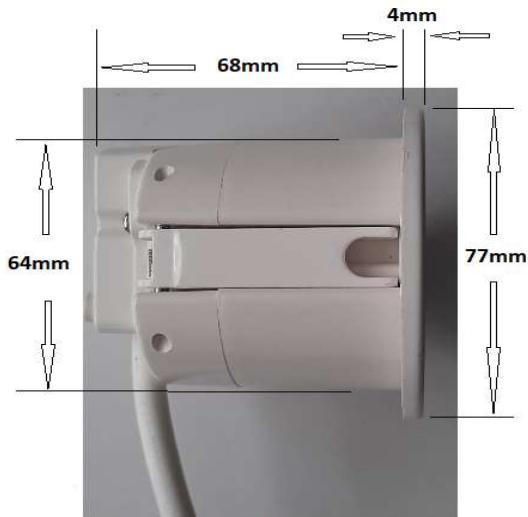
## Technical Specification

- **Voltage:** 240V a.c.
- **Frequency:** 50/60Hz
- **Timing:** 30 seconds to 30 minutes
- **Detection Range:** 7-10m range with a 360° circular beam
- **Cut Out Dimensions:** 64mm
- **Connections:** Live | Switch Live | Neutral | Neutral
- **Loading:** Up to 6A all load types\*\*
- **Marking:** CE & UKCA
- **Terminal Capacity:** 2.5mm<sup>2</sup>
- **Standards:** BS EN 60669, 60669-1, 60669-2-1, 60669-2-3.
- **Power Consumption:** 0.9W
- **Material:** Flame Retardant ABS / UV Resistant
- **Compliances:** RoHS compliant, WEEE Policy, ISO9001, ISO14001.
- **Total Product Weight (each):** 199g
- **Total Plastic Weight (each):** 113g

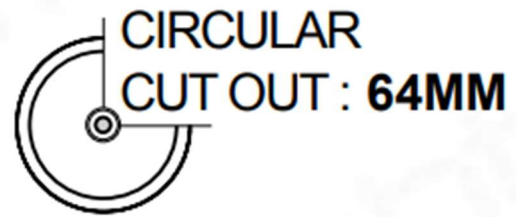
\*When using PIRs with outdoor heating sources it is advisable to ensure that the PIR sensor is in a position where it will not be affected the heat source and false trigger or stay on.

\*\*All load type switching means that all load types such as LED, Fluorescent, Compact fluorescent, Resistive and Induction can be switched at 6Amps (1380W) without the need to derate.

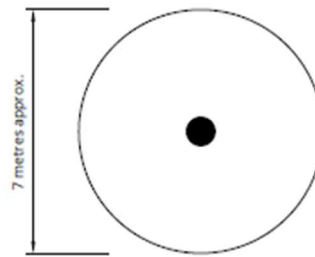
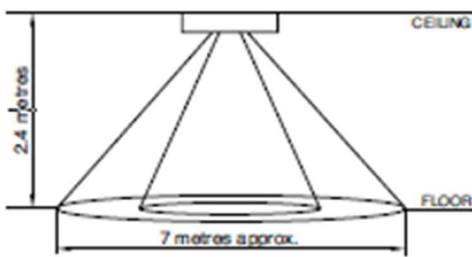
## Dimensions



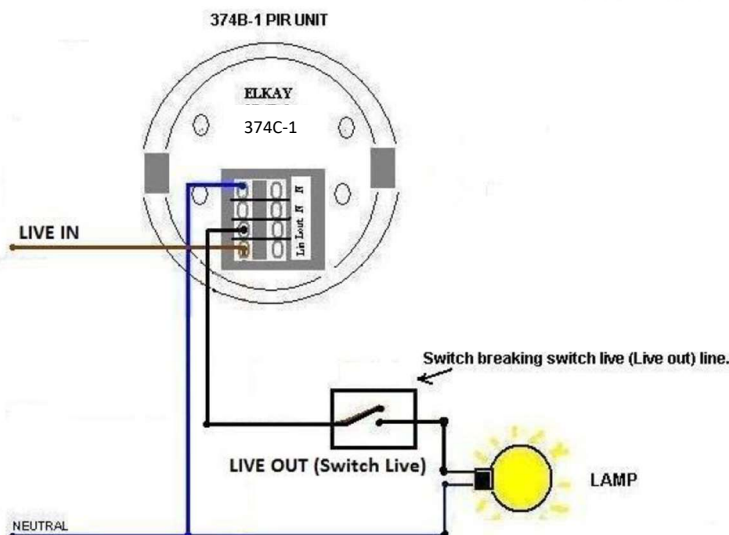
Live, Switch Live & Neutral  
3 core Connections cable



The circular beam gives 360° detection and detects infra-red body heat passing or approaching the sensor.



## Absence Wiring with standard one-way switch or grid switch



### Amendments Record

Action	Date
Draft Issue	28/06/2021