

# GTP FOR PV SOLAR BRANCH CONNECTORS



<b>Date</b>		<b>Designed By</b>	Nishant/Kunal
<b>Revision</b>	00	<b>Prepared By</b>	Harsh
<b>Revision Particulars</b>	Issued For Approval	<b>Approved By</b>	Robin Virani

<b>Client/Developer</b>	:		
<b>EPC Contractor</b>	:		
<b>Consultant</b>	:		
<b>Project Name</b>			
<b>Title</b>	GTP of 1500V DC PV Solar 2 in 1 out Branch Connectors Male and Female		
<b>PROJECT NO</b>		<b>REV.</b>	<b>SHEET</b>
<b>DOC.NO</b>		00	1 of 3

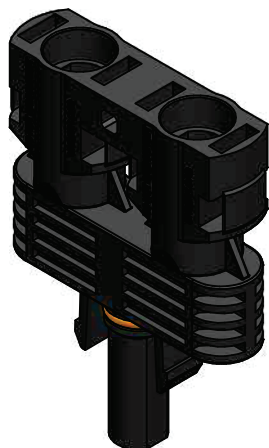
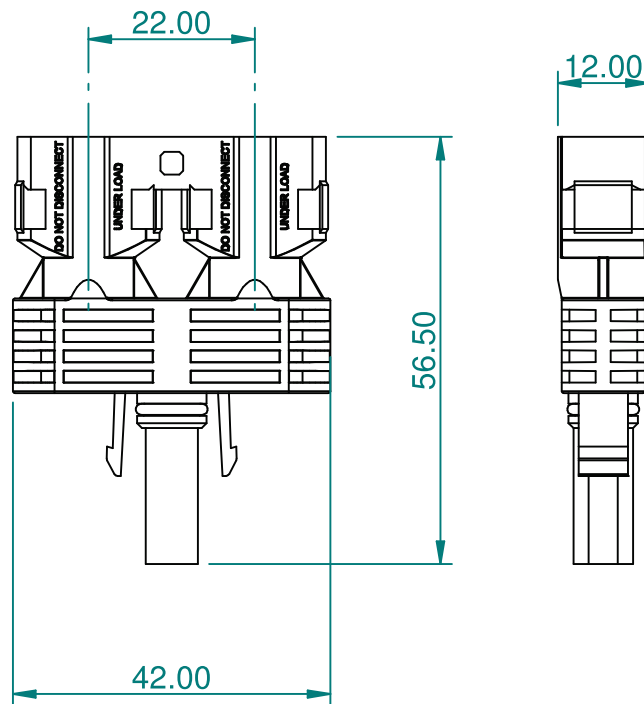
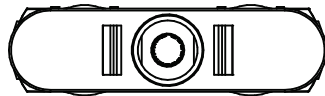
**Note:-** All rights reserved. The documents contain proprietary information which is protected by copyright. No part of this documents may be reproduced, translated in computer language, or transmitted in any form whatsoever without the prior written consent to Elmex Electric Pvt Ltd, Vadodara


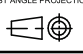


Sr.NO	Technical Parameters for EBPV4M-N, EBPV4F-N	
1	Factory Inspection	Name of Supplier- Elmex Electric Pvt. Ltd. Factory Address- 134-135, GIDC ESTATE, POR - RAMANGAMDI, VADODARA 391243, GUJARAT, INDIA.
2	Product Partcode	EBPV4M-N(Male Branch Connector), EBPV4F-N (Female Branch Connector)
3	Rated Voltage	1500V DC
4	Rated Current (TUV)	25A (2.5 mm <sup>2</sup> ), 45A (4 mm <sup>2</sup> ), 54A (6 mm <sup>2</sup> )
5	Rated Impulse Voltage	16kV
6	RMS withstand Voltage	8kV
7	Protection Class	Class II
8	Application Class	A
9	Flammability Class	UL94-V0
10	Insulating Material	NORYL 9406P PPE+PS
11	Pollution Degree	3
12	Degree of Protection	IP68 (Mated Condition)
13	Over voltage Category	III
14	Lower Ambient Temperature	-40°C
15	Upper ambient Temperature	+85°C
16	Upper Limit Temperature	+110°C
17	Suitable DC PV Cable Size	2.5 mm <sup>2</sup> , 4 mm <sup>2</sup> , 6 mm <sup>2</sup>
18	Metal Contact Pin material	Copper with Tin Plating
19	Contact Resistance	<0.5mΩ
20	Insertion Force	≤ 50N
21	Withdrawal Force	≥ 50N
22	Salt mist spray test	IEC 60068-2-52, Severity 6
23	Product Certification	As per IEC 62852-2014 TUV R60118765
24	Tool require for Opening	 Part code:EPVOS-S

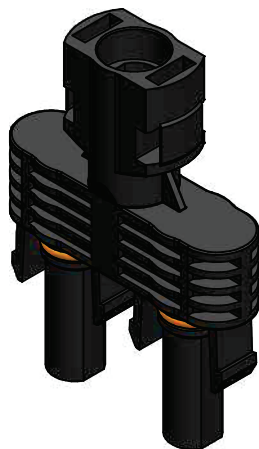
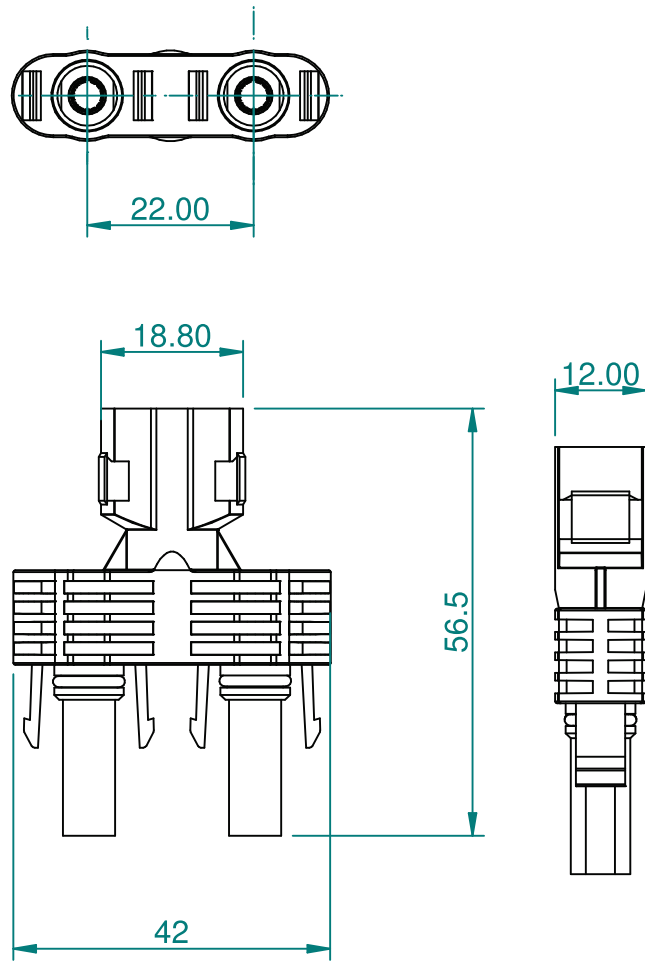
\*\*Technical specifications may change in line with Technical Advances and industry standards.

## Branch Connectors Male



REV. No.	REVISION DETAIL	ECR No.	MODIFY BY	DATE
IF ANY DOUBT PLEASE ASK		REMOVE ALL SHARP EDGES		ALL DIMENSIONS ARE IN "mm"
		<b>ELMEX CONTROLS Pvt. Ltd.</b> 12, GIDC, MAKARPURA, VADODARA - 390010		MATERIAL
DRAWN BY	NC	DATE	20-01-2017	MSI No.
CHKD. BY	NC	DATE	20-01-2017	FINISH
APPROVED BY	SJS	DATE	20-01-2017	WEIGHT
FIRST ANGLE PROJECTION 		SCALE	DESCRIPTION	
SHEET	SHEET SIZE	NTS		Branch Connector Male
1 OF 1	A4	DRG. NUMBER		EBPV4M-N
				REV 0
EC-4/7.308E 03rd Dec 2010 Ver1.00				

## Branch Connectors Female



REV. No.	REVISION DETAIL	ECR No.	MODIFY BY	DATE
IF ANY DOUBT PLEASE ASK		REMOVE ALL SHARP EDGES	ALL DIMENSIONS ARE IN "mm"	
		<b>ELMEX CONTROLS Pvt. Ltd.</b> 12, GIDC, MAKARPURA, VADODARA - 390010		MATERIAL
DRAWN BY	NC	DATE	20-01-2017	MSI No.
CHKD. BY	NC	DATE	08-08-2017	FINISH
APPROVED BY	SJS	DATE	08-08-2017	WEIGHT
FIRST ANGLE PROJECTION 		<b>DESCRIPTION</b> Branch Connector Female		
SHEET 1 OF 1	SHEET SIZE A4	<b>DRG. NUMBER</b> EBPV4F-N		<b>REV0</b>
EC-P17-3/086-03rd Dec 2010_Ver1.00				