



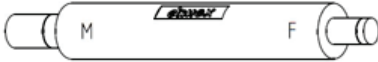

Date		Designed By	Nishant/Kunal
Revision	00	Prepared By	Harsh
Revision Particulars	Issued For Approval	Approved By	Robin Virani

Client/Developer	:		
EPC Contractor	:		
Consultant Name	:		
Project Name			
Title	GTP of PV Solar Panel Connectors Male and Female		
PROJECT NO		REV.	SHEET
DOC.NO		00	1 of 5

Note:- All rights reserved. The documents contain proprietary information which is protected by copyright. No part of this documents may be reproduced, translated in computer language, or transmitted in any form whatsoever without the prior written consent to Elmex Electric Pvt Ltd, Vadodara

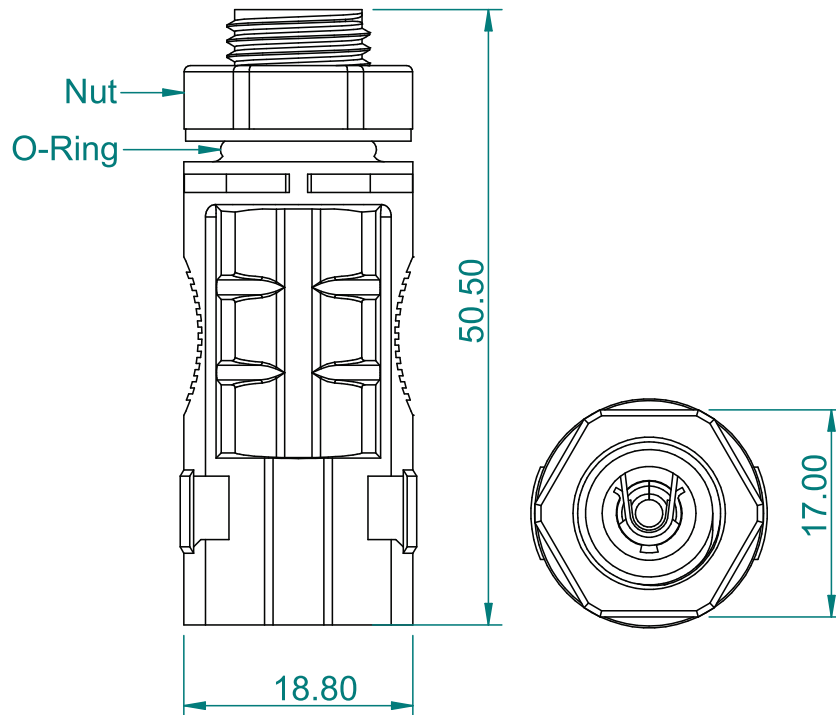


Sr.NO	Technical Parameters for EMPVPCM4N and EMPVPCF4N	
1	Factory Inspection	Name of Supplier- Elmex Electric Pvt. Ltd. Factory Address- 134-135, GIDC ESTATE, POR - RAMANGAMDI, VADODARA 391243, GUJARAT, INDIA.
2	Product Partcode	EMPVPCM4N (Male Connector), EMPVPCF4N (Female Connector)
3	Rated Voltage	1500 VDC
4	Rated Current	25A (2.5 mm ²), 45A (4 mm ²), 54A (6 mm ²)
5	Rated Impulse Voltage	16kV
6	RMS withstand Voltage	8kV
7	Protection Class	Class II
8	Application Class	A
9	Flammability Class	UL94-V0
10	Insulating Material	NORYL 9406P PPE+PS
11	Pollution Degree	3
12	Degree of Protection	IP68 (Mated Condition)
13	Over voltage Category	III
14	Lower Ambient Temperature	-40°C
15	Upper ambient Temperature	+85°C
16	Upper Limit Temperature	+110°C
17	Termination and Connection	Crimped Connection
18	Operating Cycle	100
19	Number of Bending's	100
20	Suitable DC PV Cable Size	2.5 mm ² , 4 mm ² , 6 mm ²
21	Metal Contact Pin material	Copper with Tin Plating
22	Contact Resistance	<0.25mΩ
23	Stripping Length	8mm-10mm
24	Insertion Force	≤50N
25	Widrawal Force	≥50N
26	Locking System	Snap In

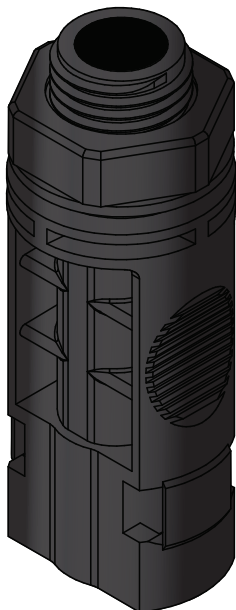
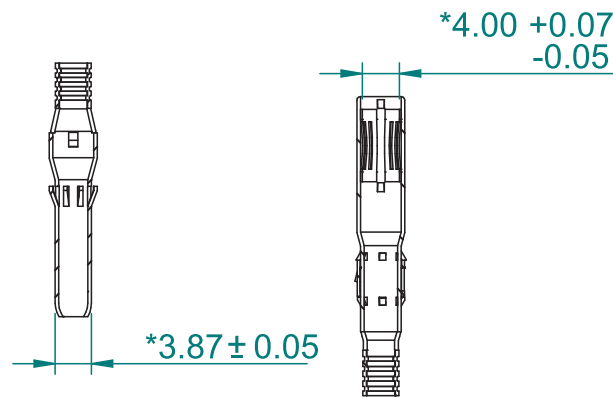
Sr.NO	Technical Parameters for EMPV4N	
27	Product Certification	As per IEC 62852-2014 TUV R60118765
28	Tool Required for Crimping	 <p>Part code:ESCCT</p>
29	Tool require for Opening and Tightening	 <p>Part code:EPVOS-S</p>
30	Tool require for crimping verifiaction	
31	Sealing Caps for the Connector	 <p>EPVSCPF EPVSCPM</p>



**Technical specifications may change in line with Technical Advances and industry standards.

EMPVPCM4N

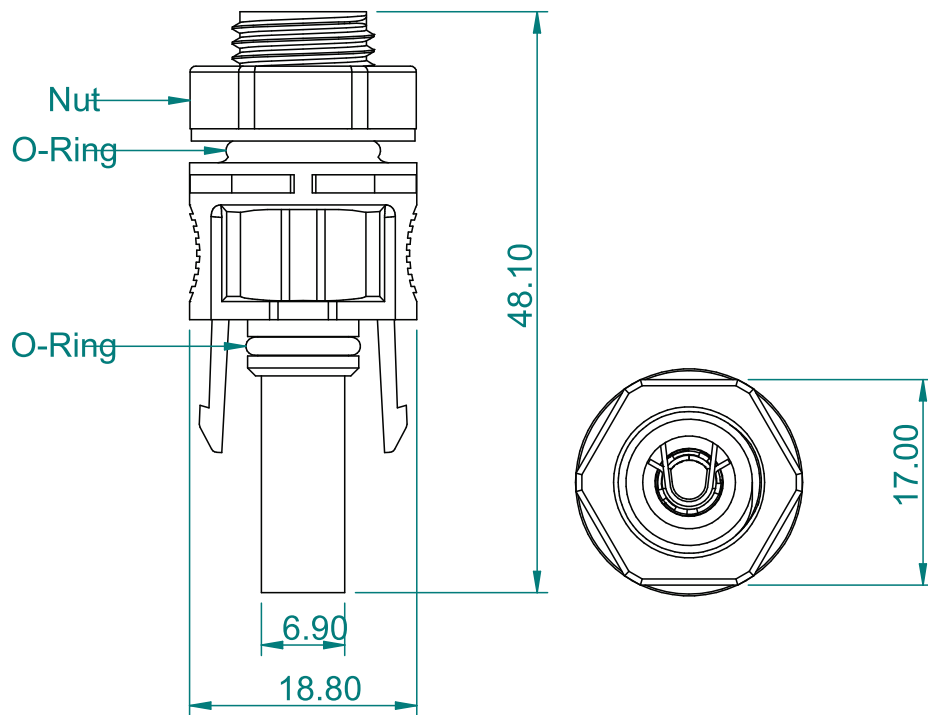


Contact Pins

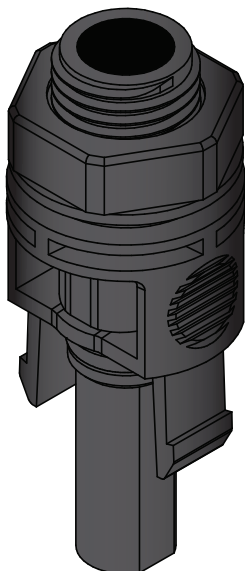
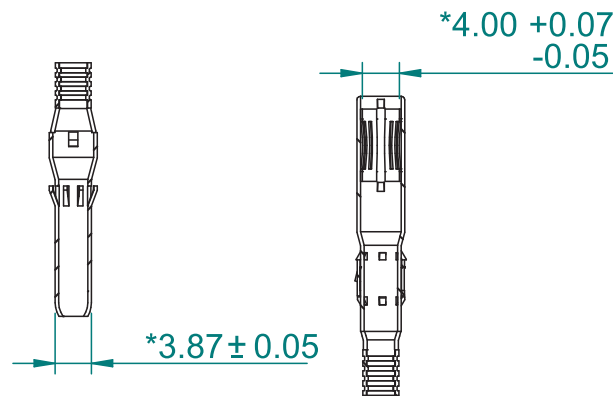



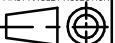
REV. No.	REVISION DETAIL		ECR No.	MODIFY BY	DATE
IF ANY DOUBT PLEASE ASK		REMOVE ALL SHARP EDGES	ALL DIMENSIONS ARE IN "mm"		
		ELMEX CONTROLS Pvt. Ltd. 12, GIDC, MAKARPURA, VADODARA - 390010		MATERIAL	
DRAWN BY		NC	DATE	20-01-2017	MSI No.
CHKD. BY		NC	DATE	20-01-2017	FINISH
APPROVED BY		MDP	DATE	20-01-2017	WEIGHT
FIRST ANGLE PROJECTION 		SCALE		DESCRIPTION Solar Panel Connector Male	
SHEET		SHEET SIZE			
2 OF 2		A4		DRG. NUMBER EMPVPCM4N REV 0	
EC-F17-310RE_03rd Dec 2010_Ver1.00					

EMPVPCF4N



Contact Pins



REV. No.	REVISION DETAIL		ECR No.	MODIFY BY	DATE
IF ANY DOUBT PLEASE ASK		REMOVE ALL SHARP EDGES	ALL DIMENSIONS ARE IN "mm"		
		ELMEX CONTROLS Pvt. Ltd. 12, GIDC, MAKARPURA, VADODARA - 390010		MATERIAL	
DRAWN BY		NC	DATE	20-01-2017	MSI No.
CHKD. BY		NC	DATE	20-01-2017	FINISH
APPROVED BY		MDP	DATE	20-01-2017	WEIGHT
FIRST ANGLE PROJECTION 		SCALE	DESCRIPTION		
SHEET		SHEET SIZE	Solar Panel Connector Female		
2 OF 2		A4	DRG. NUMBER	EMPVPCF4N	REV 0
<small>EC-F17-310RE_03rd Dec-2010_Ver1.00</small>					