

thermo
Sphere

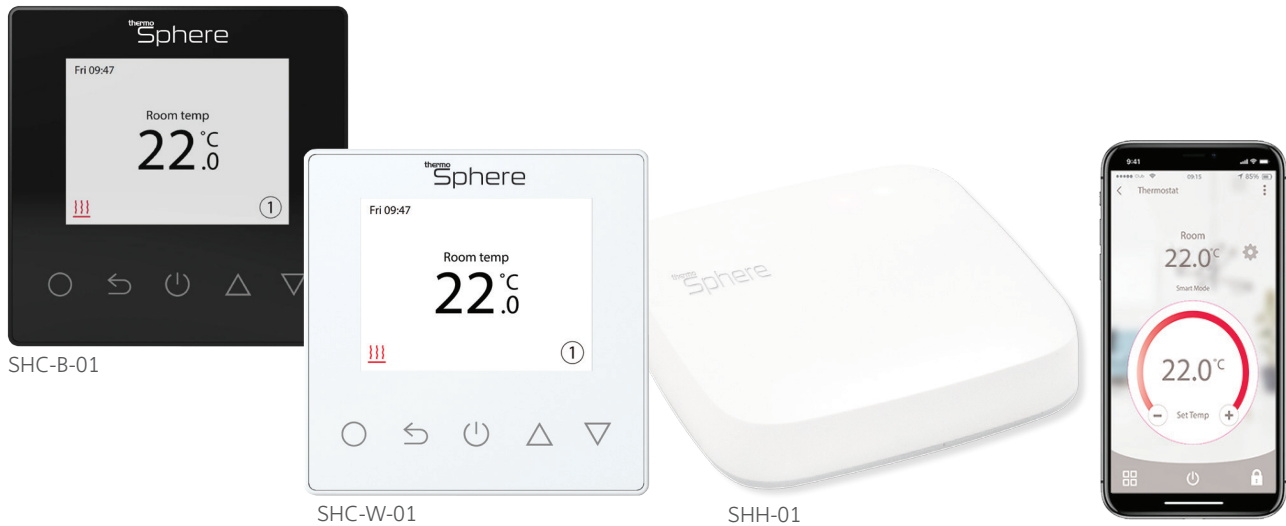
CONTROL | TOUCH



Excellence in heating solutions.

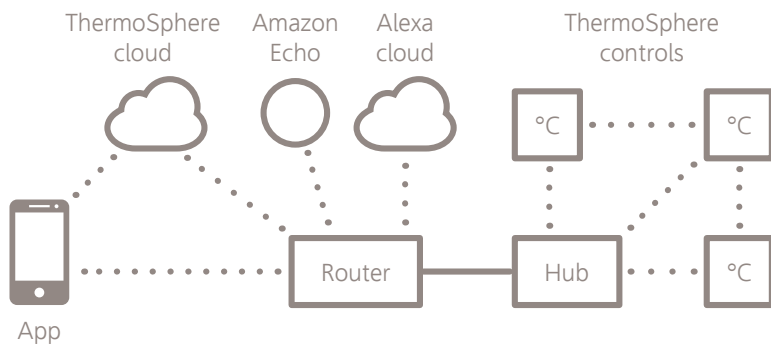
Need to turn up the heat?
Just ask Alexa!





ThermoSphere SmartHome controls that work with Alexa

- ✓ Works with Alexa via the ThermoSphere SmartHome Hub
- ✓ 7 day programmable underfloor heating schedule
- ✓ Tracks your energy use to help save money
- ✓ Can be used as a standalone electric underfloor heating thermostat
- ✓ Control from anywhere with the ThermoSphere iOS & Android app



Wireless connection requires:

- ThermoSphere SmartHome Hub
- ThermoSphere SmartHome control
- Broadband internet
- An available port on your router
- ThermoSphere app on a compatible iOS or Android device
- Approximate range limit 20m open field
- Amazon Echo device required for Alexa voice control

Stock Code	Description	Wifi	Colour	Size (mm)	IP Rating	Max Load
SHC-W-01	SmartHome Control	Yes	White	87 x 87 x 14	IP21	16A
SHC-B-01	SmartHome Control	Yes	Black	87 x 87 x 14	IP21	16A
SHH-01	SmartHome Hub	Yes	White	95 x 95 x 20	IP30	



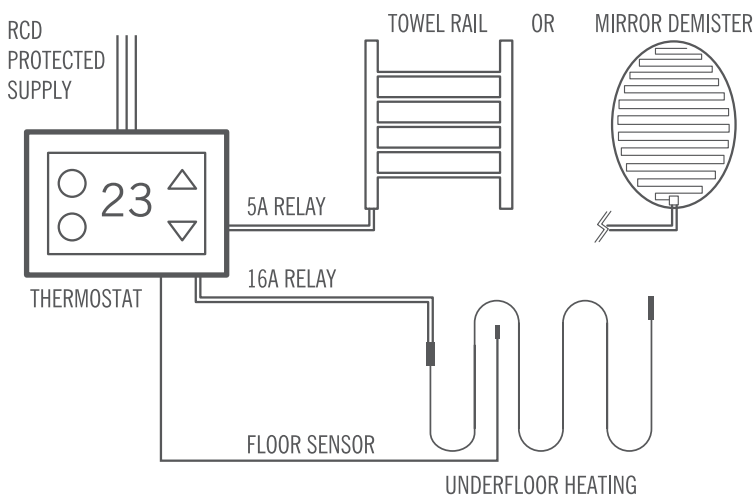


DC-B-01

DC-W-01

A dual control for your electric underfloor heating and towel rail

- ✓ Control your electric underfloor heating with a 7 day 6 event heating schedule
- ✓ Control an extra appliance such as an electric towel rail or mirror heater
- ✓ Easy upgrade - works with all of the most common floor sensor probes
- ✓ Smart energy saving features - Adaptive start and open window sensor
- ✓ Wireless models available



Dual relay control:

- 16A relay for underfloor heating
- 5A relay for additional appliance
- Maximum combined load 20A
- Control any electrical device with a 230V switch live
- Use a 12V transformer for low voltage devices
- 5A relay does not work in tandem with the temperature sensors

Stock Code	Colour	Size (mm)	IP Rating	Max Load
DC-B-01	White	129 x 88 x 48 (31mm in wall)	IP30	20A
DC-W-01	Black	129 x 88 x 48 (31mm in wall)	IP30	20A



SCP-B-01



SCP-W-01

Programmable

- ✔ 7 day 6 event schedule
- ✔ Easy to use touch display
- ✔ Ambient & floor temperature sensing
- ✔ Energy saving adaptive start
- ✔ Automatic open window sensor
- ✔ Wireless models available

Stock Code	Colour	Size (mm)	IP Rating	Max Load
SCP-W-01	White Glass	85 x 85 x 46 (31mm in wall)	IP30	16A
SCP-B-01	Black Glass	85 x 85 x 46 (31mm in wall)	IP30	16A



SCM-B-01



SCM-W-01

Manual

- ✔ Simple on/off switch
- ✔ Temperature control
- ✔ Easy to use touch display
- ✔ Ambient & floor temperature sensing

Stock Code	Colour	Size (mm)	IP Rating	Max Load
SCM-W-01	White Glass	85 x 85 x 46 (31mm in wall)	IP30	16A
SCM-B-01	Black Glass	85 x 85 x 46 (31mm in wall)	IP30	16A



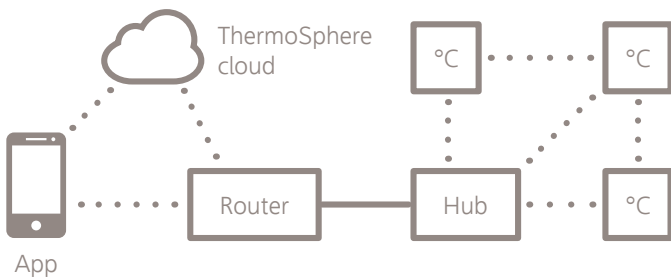
CONTROL | TOUCH | WIRELESS HUB



WLH-01



- ✓ Connect up to 32 thermostats per hub
- ✓ Control 2 hubs per app
- ✓ 20m open field range
- ✓ Reliable RF connection
- ✓ 3 year warranty



Wireless connection requires:

- ThermoSphere Hub
- Compatible ThermoSphere wireless control
- Broadband internet
- An available network port on your router
- ThermoSphere app
- Compatible iOS or Android device
- Approximate range limit 20m open field

Stock Code	Colour	Size (mm)	IP Rating
WLH-01	White	98 x 78 x 28	IP30



CONTROL | TOUCH | SINGLE WIRELESS



WSC-B-01



WSC-W-01

- ✔ 7 day 6 event heating schedule
- ✔ Easy to use touch display
- ✔ Ambient & floor temperature sensing
- ✔ Energy saving adaptive start
- ✔ Automatic open window sensor

Stock Code	Wifi	Colour	Size (mm)	IP Rating	Max Load	Unit
WSC-W-01	Yes	White Glass	85 x 85 x 46 (31mm in wall)	IP30	16A	Ea
WSC-B-01	Yes	Black Glass	85 x 85 x 46 (31mm in wall)	IP30	16A	Ea

CONTROL | TOUCH | DUAL WIRELESS



DC-B-01



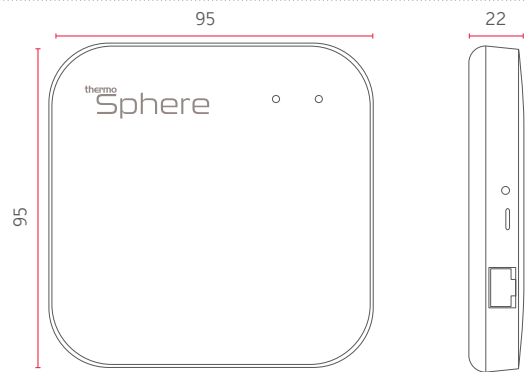
DC-W-01

- ✔ 7 day 6 event heating schedule
- ✔ Easy to use touch display
- ✔ Ambient & floor temperature sensing
- ✔ Energy saving adaptive start
- ✔ Automatic open window sensor

Stock Code	Wifi	Colour	Size (mm)	IP Rating	Max Load	Unit
WDC-W-01	Yes	White	129 x 88 x 48 (31mm in wall)	IP30	20A	Ea
WDC-B-01	Yes	Black	129 x 88 x 48 (31mm in wall)	IP30	20A	Ea

ThermoSphere SmartHome Hub

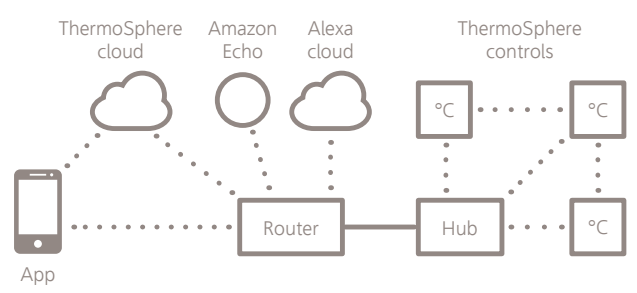
Technical data		Box contents	
Power supply	5V DC	1 x ThermoSphere SmartHome Hub	
Operating power	1A	1 x Installation guide	
Ambient temperature	5 ~ 50°C	1 x Network cable	
Compatible controls	5220RF 5226RF 5245RF 5246RF	1 x Power supply	
Warranty	3 years	2 x Fixing screws	
Protection rating	IP40		
Width x height	79 x 98 x 28mm		
Wireless	Zigabee Mesh		
Range	20m open field (approx)		
Max no. of connections	32 units		
Max no. of hubs per app	2		



ThermoSphere SmartHome Control

Technical data		Box contents	
Voltage	85 - 265V 50/60Hz	1 x ThermoSphere SmartHome Control	
Maximum load	16A	1 x Installation guide	
Standby consumption	<2W	1 x 3m floor temperature sensor probe	
Connectivity	Zigbee Mesh	1 x 2m sensor conduit	
Ambient temperature	5°C - 50°C	2 x Fixing screws	
Protection rating	IP21		
Dimensions	87 x 87 x 14mm		
Mounting	25mm back box		
Range	20m open field (approx)		
Max no. of connections	100+ units		
Max no. of hubs per app	10		

Mesh network diagram



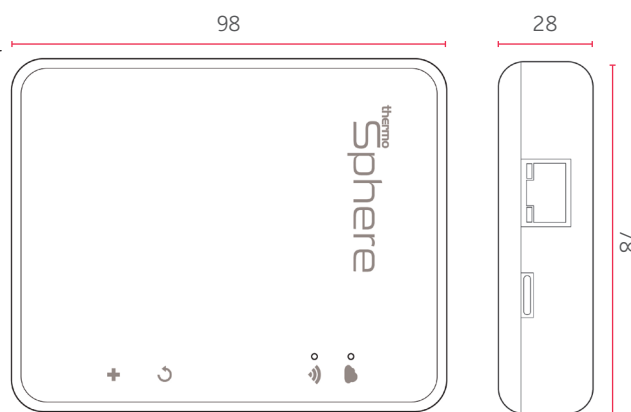
Wireless connection requires a ThermoSphere SmartHome Hub, compatible ThermoSphere SmartHome control, broadband internet and an available network port on your router. Download the ThermoSphere app on a compatible iOS or Android device. Approximate range limit 20m open field.

Mesh networking makes sure your thermostats are always connected. Extra connections between each thermostat provide a backup signal if a thermostat should ever lose its connection to the hub.

ThermoSphere Wireless Hub

Technical data	
Power supply	5V DC
Operating power	1A
Ambient temperature	5 ~ 50°C
Compatible controls	5220Z 5226Z
Warranty	3 years
Protection rating	IP30
Width x height	95 x 95 x 22mm
Wireless	RF 868 MHz Mesh
Range	20m open field (approx)
Max no. of connections	100+ units
Max no. of hubs per app	10

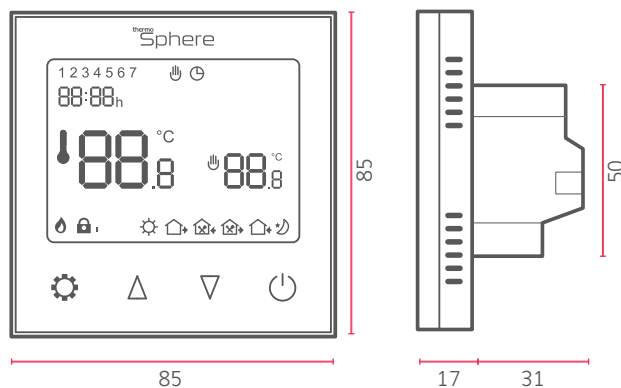
Box contents
1 x ThermoSphere Wireless Hub
1 x Installation guide
1 x Network cable
1 x Power supply



ThermoSphere Wireless Control

Technical data	
Supply voltage	230V 50/60Hz
Maximum load	16A (3600W)
Backup storage	EEPROM (1 year backup)
Temperature range	5 ~ 80°C (0.5°C increments)
Accuracy	±0.5°C
Sensor rating	NTC 10kΩ @ 25°C
Consumption	2W
Warranty	3 years
Protection rating	IP30
Width	85mm
Height	85mm
Depth	46mm (31mm in wall)
Network requirements	ThermoSphere Wireless Hub

Box contents
1 x ThermoSphere Wireless Control
1 x Installation guide
1 x 3m floor temperature sensor probe
1 x 2m sensor conduit
2 x Fixing screws



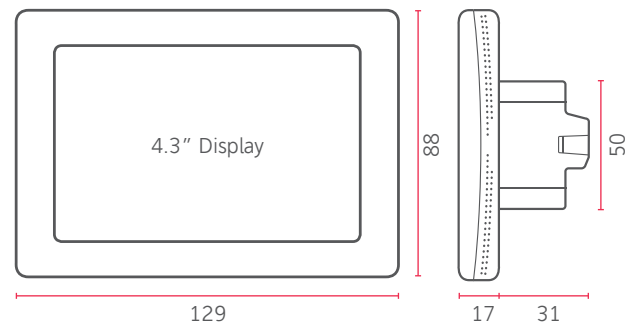
ThermoSphere dual control

Technical data

Supply voltage	230/240V 50/60Hz
Maximum load	16A (20A combine)
UFH relay	16A (3600W)
Appliance relay	A (1125W)
Temperature range	0 ~ 35°C
Ambient	0 ~ 50°C
Compatible sensors	6.8k, 10k, 12k, 15k, 33k (2@ 25°C)
Accuracy	±0.5°C
Warranty	3 years
IP rating	IP30
Width	129mm
Height	88mm
Depth	48mm (31mm in wall)

Box contents

- 1 x Dual Control
- 1 x Installation guide
- 1 x 3m floor temperature sensor probe
- 1 x 2m sensor conduit
- 2 x Fixing screws



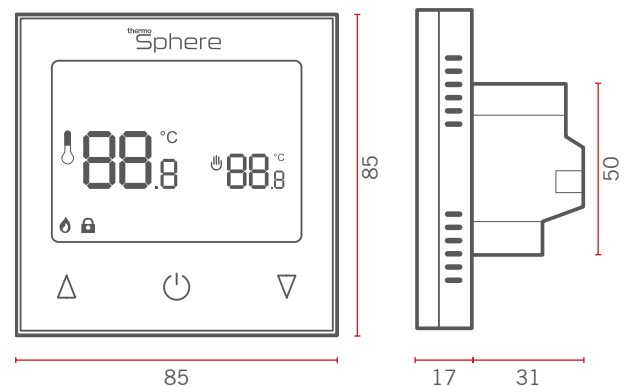
ThermoSphere manual control

Technical data

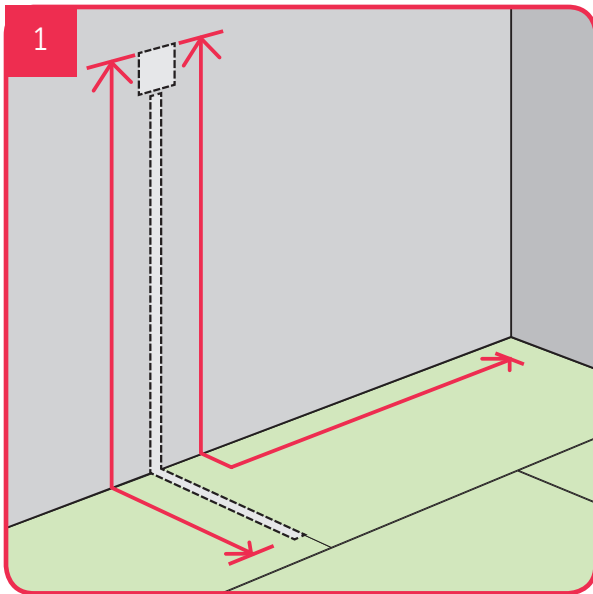
Supply voltage	230V 50/60Hz
Maximum load	16A (3600W)
Temperature range	5 ~ 80°C (0.5°C increments)
Accuracy	±0.5°C
Sensor rating	NTC 10kΩ @ 25°C
Consumption	2W
Warranty	3 years
Protection rating	IP30
Width	85mm
Height	85mm
Depth	46mm (31mm in wall)

Box contents

- 1 x Manual Control
- 1 x Installation guide
- 1 x 3m floor temperature sensor probe
- 1 x 2m sensor conduit
- 2 x Fixing screws



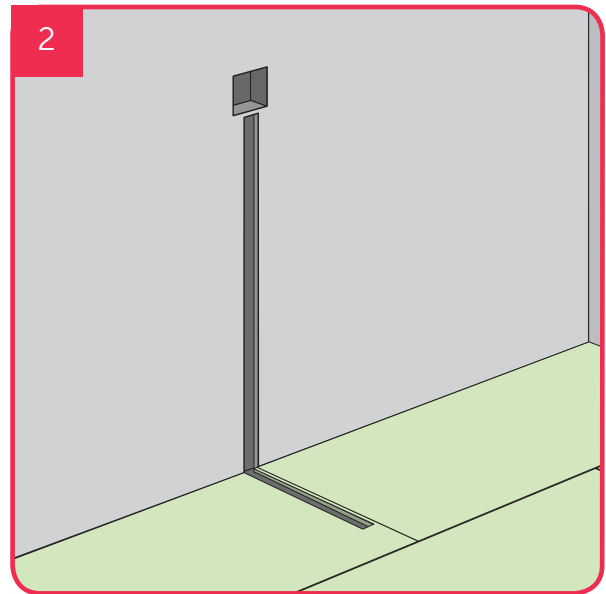
Installing your control in the correct location



Plan back box and conduit positions

Measure and mark your back box and conduits in the required position. The cold tail is 3m in length. It needs to reach from your back box, down through your conduit and along to your heating cable start position (extension available).

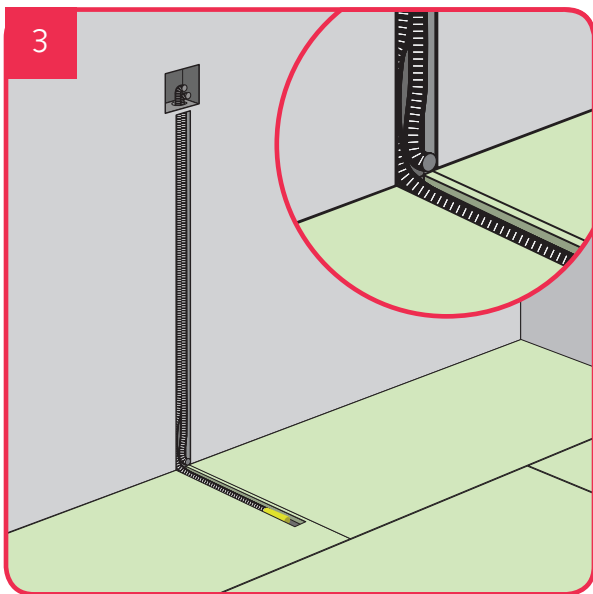
It is important to position your sensor between two runs of heating cable. A channel must be chased into the insulation or substrate to house the sensor conduit. Do not position the sensor conduit near any temperature influence or where furniture and rugs might be placed over the sensor.



Install back box

Fit an extra deep single gang back box at the desired level. Chase from the back box to the floor level, allowing for the conduit.

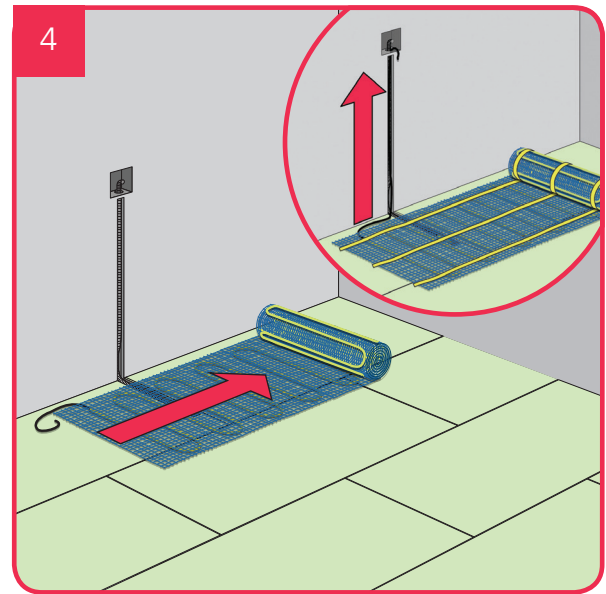
Power for the thermostat should come from an RCD protected fused spur.



Install two conduits

Sensor conduit: Install a conduit for the sensor probe (laid centrally between two runs of heating cable).

Cold tail conduit: Install another conduit for the cold tail (black cable) of the heating system.



Floor temperature sensor location

To ensure an accurate reading, position the floor sensor between 2 runs of heating cable. Away from any other temperature. ThermoSphere recommend using 2 sensor probes.

thermo Sphere

TS_SB_HC01

 @_Thermosphere

 _Thermosphere

 /Thermosphere

ThermoSphere
Pattenden Lane
Marden
Kent
TN12 9QJ

0800 019 5899
hello@thermosphere.com
www.thermosphere.com

ThermoSphere is a trading name of Thermogroup Ltd.

Excellence in heating **solutions.**