

MINI AND MAXI TRUNKING

A range of cost-effective PVC-U cable containment for general wiring installations.

MINI AND MINI TRUNKING

MINI AND MAXI TRUNKING

Our Mini and Maxi trunking systems are easy to install, light to handle and cost-effective to use. We have a wide range of PVC-U trunking solutions in different heights, designs, cable capacities for the distribution of power and data; making it an excellent choice of material for the majority of commercial, education and healthcare environments. PVC-U is a self-extinguishing material and therefore helps to stop the spread of fire.

Our white Mini and Maxi trunking lengths are manufactured using between 80 and 100% recycled content.



Standard colour

Mini and Maxi trunking systems are available in solid white RAL 9003.

Maxi trunking is also available ex-stock in clear PVC-U at the 50 x 50mm size.

Standard colour
WH
WH: White

Mini trunking

10 x 8mm to 38 x 38mm

Range of small size containment for general wiring. Standard and self-fix options are available. Punched profiles for single compartment and self-fixing trunking now available.

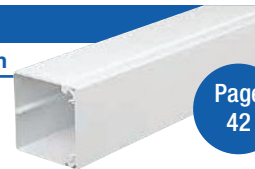


Page 39

Maxi trunking

50 x 50mm to 150 x 150mm

A mid-size containment that can be subdivided for general wiring. Larger sizes can accommodate wiring accessories.



Page 42



Mini trunking lengths are manufactured using 80-100% recycled material



Maxi trunking lengths are manufactured using 80-100% recycled material

Environmental & sustainability



- We use recycled PVC-U in our manufacturing process, reducing carbon emissions in doing so.
- Research has shown that the use of recycled PVC offers a 20-fold reduction in greenhouse gas (GHG) emissions compared to virgin product. 100% recyclable material and has a long life cycle. We encourage our products to be recycled at the end of their useful life.
- PVC-U is a cost-effective, sustainable choice and comparable with other materials such as steel, aluminium, copper and wood.
- Virgin grade PVC-U has the lowest oil content of a commodity plastic.
- No increase in dioxin emission from Municipal Waste Incineration. No phthalates used in manufacture of PVC-U or FR-ABS.
- Lead-free formulations are used for mouldings and extrusions.
- No use of cadmium-based stabilisers or pigments.

EMI protection



- Steel dividers are available for certain sizes of trunking, please contact our Technical team for further details on +44 (0) 1424 856688.

Fire performance



- The fire rating for PVC-U is excellent* and PVC-U has all the characteristics required for Fire Escape Time.
- Highly resistant to ignition.
- Does little to contribute to the spread of fire and is classified to Building Regs: Class 0.
- Chars and is self-extinguishing.
- Has a low rate of smoke production during the early stages of a fire.
- Acts as an effective barrier to flame spread from malfunctioning electrical components within systems.
- Does not produce flaming droplets or burning debris.

*see the independent report at www.beama.org.uk

MINI TRUNKING

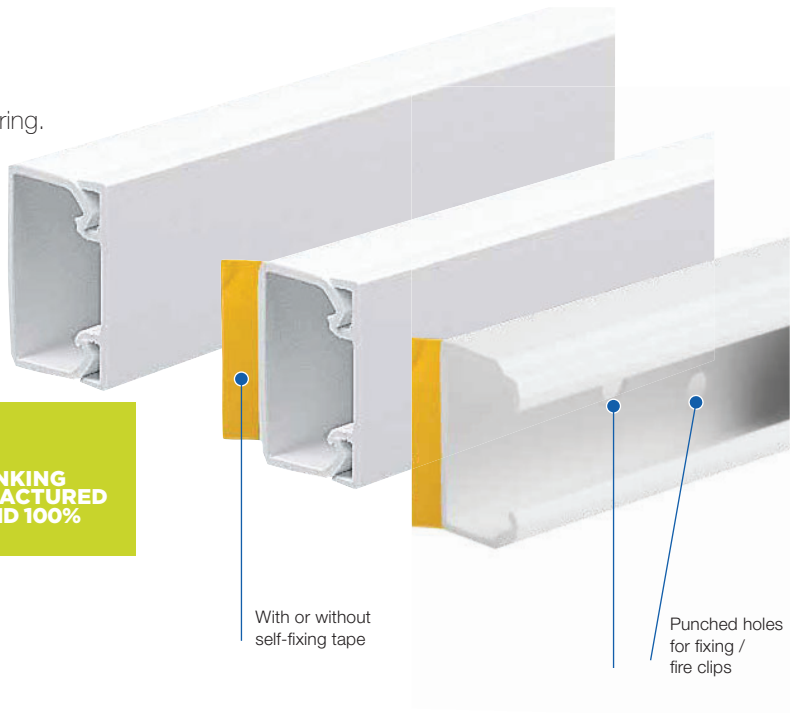
Mini trunking is an economical feeder trunking system with easy accessibility for wiring and re-wiring.

Product information

- A variety of sizes from 10 x 8mm to 38 x 38mm
- Self-fixing systems and punched systems available
- Self extinguishing and non-flame propagating PVC-U
- Punched holes compatible with Firefly fire safety clips
- Fire clips available to secure cables and prevent premature collapse in the event of a fire

Standard colour
WH
WH: White

REASSURINGLY RECYCLED
 OUR WHITE MINI TRUNKING LENGTHS ARE MANUFACTURED USING BETWEEN 80 AND 100% RECYCLED MATERIAL.



Standard profiles



Mini trunking profiles

code	size	pack
MMT1WH	16 x 16mm	30 x 3m
MMT2WH	25 x 16mm	30 x 3m
MMT3WH	38 x 16mm	15 x 3m
MMT4WH	38 x 25mm	15 x 3m
MMT5WH	50 x 25mm	12 x 3m
MMT6WH	38 x 38mm	6 x 3m

Self fixing profiles



Self fix Mini trunking profiles

code	size	pack
MMT00SFWH	10 x 8mm	40 x 3m
MMT0SFWH	18 x 9mm	20 x 3m
MMT1SFWH	16 x 16mm	30 x 3m
MMT2SFWH	25 x 16mm	30 x 3m
MMT3SFWH	38 x 16mm	15 x 3m
MMT4SFWH	38 x 25mm	15 x 3m

Punched profiles



Punched profiles self fix

code	size	pack
MMTH2SFWH	25x16mm	30x3m
MMTH4SFWH	38x25mm	15x3m

OUR WHITE MINI TRUNKING LENGTHS ARE MANUFACTURED USING BETWEEN 80 AND 100% RECYCLED MATERIAL.

MINI AND MAXI TRUNKING

Fittings



External coupler

code	system size	pack
TC1WH	16 x 16mm	40
TC2WH	25 x 16mm	40
TC3WH	38 x 16mm	25
TC4WH	38 x 25mm	25
TC5WH	50 x 25mm	20
TC6WH	38 x 38mm	10



End cap

code	system size	pack
TEC1WH	16 x 16mm	100
TEC2WH	25 x 16mm	100
TEC3WH	38 x 16mm	50
TEC4WH	38 x 25mm	30
TEC5WH	50 x 25mm	20
TEC6WH	38 x 38mm	20



Internal bend

code	system size	pack
TIB1WH	16 x 16mm	50
TIB2WH	25 x 16mm	30
TIB3WH	38 x 16mm	25
TIB4WH	38 x 25mm	25
TIB5WH	50 x 25mm	20
TIB6WH	38 x 38mm	10

Please note

There are no fittings for MMT00SFWH & MMT05FWH.



External bend

code	system size	pack
TEB1WH	16 x 16mm	50
TEB2WH	25 x 16mm	30
TEB3WH	38 x 16mm	25
TEB4WH	38 x 25mm	25
TEB5WH	50 x 25mm	20
TEB6WH	38 x 38mm	10



Flat angle

code	system size	pack
TFB1WH	16 x 16mm	60
TFB2WH	25 x 16mm	30
TFB3WH	38 x 16mm	25
TFB4WH	38 x 25mm	20
TFB5WH	50 x 25mm	20
TFB6WH	38 x 38mm	10



Equal tee

code	system size	pack
TT1-1WH	16 x 16mm	20
TT2-2WH	25 x 16mm	30
TT3-3WH	38 x 16mm	25
TT4-4WH	38 x 25mm	20
TT5-5WH	50 x 25mm	20
TT6-6WH	38 x 38mm	10



Unequal tee

code	system size	pack
TT2-1WH	25 x 16mm	30
TT4-2WH	38 x 25mm	20



Ceiling tee

code	system size	pack
TCT2/2WH	25 x 16mm	10
TCT4/2WH	38 x 25mm	10

Components



Ceiling rose adaptor

code	size	pack
TCR2WH	2 K.O. for MMT1	10
	2 K.O. for MMT2	

Designed to accept all popular makes of ceiling rose. Supplied with fixing screws.
Fixing centres 50.8mm.
Internal depth 12mm.
External diameter 81mm



Surface box adaptors MMT1/2/3

code	size	pack
TA1WH	MMT1	50
TA2WH	MMT2	50
TA3WH	MMT3	20



Tapered adaptors MMT1 & 2 to fit TA3 aperture

code	size	pack
TA3/1CWH	MMT1	20
TA3/2LHWH	MMT2	20
TA3/2RHWH	MMT2	20
TA3/2CWH	MMT2	20



Conduit to mini adaptor

code	size	pack
TAC1/2WH	MMT1/20mm round	20

Accessories



PVC pipe cutter

code	pack
MTPC42	1



For Universal Switch and Socket boxes suitable for conduit/mini installations, see page 46

Mini trunking fire clips



Fire clip internal MMT2

code	trunking size	pack
FCMMT2	25 x 16mm	100



Fire clip internal MMT3

code	trunking size	pack
FCMMT3	38 x 16mm	100



Fire clip internal MMT4

code	trunking size	pack
FCMMT4	38 x 25mm	100



Fire clip internal MMT5

code	trunking size	pack
FCMMT5	50 x 25mm	100



Fire clip internal MMT6

code	trunking size	pack
FCMMT6	38 x 38mm	100



Fire clip external MMT2

code	trunking size	pack
FCXMMT2	25 x 16mm	100



Fire clip external MMT4

code	trunking size	pack
FCXMMT4	38 x 25mm	100

Fire clip fixings



Masonry screws & washers

code	pack
FCMS	100



Cavity fixings & screws

code	pack
FCCS	50

We recommend using self tapping masonry or cavity screws and washers for all Fire clip installations in order to assist with meeting BS 7671 Wiring Regulations.

Not only are we reducing landfill;
MANUFACTURING FROM RECYCLED PVC-U REDUCES CARBON EMISSIONS BY 20 TIMES VS VIRGIN MATERIAL



REASSURINGLY RECYCLED

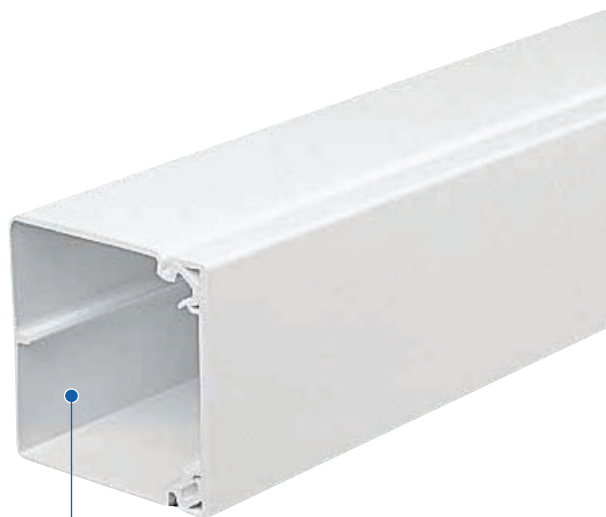
REASSURINGLY RECYCLED

MAXI TRUNKING

A mid-size feeder and distribution trunking that can be subdivided to carry power and data. Larger sizes can also accommodate wiring accessories.

Product information

- A variety of sizes from 50 x 50mm to 150 x 150mm
- Single or divided compartment options
- Self extinguishing and non-flame propagating PVC-U
- Fire clips available to secure cables and prevent premature collapse in the event of a fire



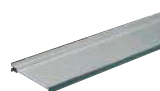
Single compartments are subdividable

Standard Colour
WH
WH: White



OUR WHITE MAXI LENGTHS ARE MANUFACTURED USING 80 AND 100% RECYCLED MATERIAL.

Trunking profiles



Maxi trunking profiles

code	system size	pack
MTRS50WH	50 x 50mm	8 x 3m
MTRS75/50WH	75 x 50mm	4 x 3m
MTRS75WH	75 x 75mm	4 x 3m
MTRS100/50WH	100 x 50mm	4 x 3m
MTRS100WH	100 x 100mm	4 x 3m
MTRS150WH	150 x 150mm	2 x 3m

Dividing fillet

code	system size	pack
MDFS50	50 x 50mm	10 x 3m
MDFS50	75 x 50mm	10 x 3m
MDFS75	75 x 75mm	10 x 3m
MDFS50	100 x 50mm	10 x 3m
MDFS100	100 x 100mm	10 x 3m
MDFS150	150 x 150mm	10 x 3m

Clear Maxi trunking



Clear MTRS50

code	size	pack
MTRS50CL	50 x 50mm	4 x 3m

Clear TCCS50 coupler

code	pack
TCCS50CL	10



Internal coupler

code	system size	pack
TICS50WH	50 x 50mm	10
TICS75/50WH	75 x 50mm	10
TICS75WH	75 x 75mm	5
TICS100/50WH	100 x 50mm	5
TICS100WH	100 x 100mm	5
TICS150WH	150 x 150mm	5



External coupler

code	system size	pack
TCCS50WH	50 x 50mm	10
TCCS75/50WH	75 x 50mm	10
TCCS75WH	75 x 75mm	10
TCCS100/50WH	100 x 50mm	10
TCCS100WH	100 x 100mm	2



End cap

code	system size	pack
TECS50WH	50 x 50mm	10
TECS75/50WH	75 x 50mm	10
TECS75WH	75 x 75mm	5
TECS100/50WH	100 x 50mm	5
TECS100WH	100 x 100mm	5
TECS150WH	150 x 150mm	1



Internal 90° bend (clip-on)

code	system size	pack
TIAS50CWH	50 x 50mm	1
TIAS100/50CWH	100 x 50mm	1



Internal 90° bend (fabricated)

code	system size	pack
TIAS75/50WH	75 x 50mm	1
TIAS75WH	75 x 75mm	1
TIAS100WH	100 x 100mm	1
TIAS150WH	150 x 150mm	1



External 90° bend (clip-on)

code	system size	pack
TOAS50CWH	50 x 50mm	1
TOAS100/50CWH	100 x 50mm	1



External 90° bend (fabricated)

code	system size	pack
TOAS75/50WH	75 x 50mm	1
TOAS75WH	75 x 75mm	1
TOAS100WH	100 x 100mm	1
TOAS150WH	150 x 150mm	1



90° flat angle (clip-on)

code	system size	pack
TFAS50CWH	50 x 50mm	1
TFAS100/50CWH	100 x 50mm	1



90° flat angle (moulded)

code	system size	pack
TFAS75/50MWH	75 x 50mm	1
TFAS75MWH	75 x 75mm	1



90° flat angle (fabricated)

code	system size	pack
TFAS100FWH	100 x 100mm	1
TFAS150FWH	150 x 150mm	1



Flat tee (fabricated)

code	system size	pack
TFTS50WH	50 x 50mm	1
TFTS75/50WH	75 x 50mm	1
TFTS75WH	75 x 75mm	1
TFTS100/50WH	100 x 50mm	1
TFTS100WH	100 x 100mm	1
TFTS150WH	150 x 150mm	1



Flat crossover fabricated

code	system size	pack
TCUS100/50WH	100 x 50mm	1

Fittings



Cable retainer

code	size	pack
TCRS50	50 x 50mm	10
TCRS75	75 x 50mm / 75 x 75mm	10
TCRS100	100 x 50mm / 100 x 100mm	10
TCRS150	150 x 150mm	5

Boxes and plates



1 gang accessory box

code	pack
TSS03WH	20

For MTRS100/50 and MTRS100.
Internal depth 30mm



2 gang accessory box

code	pack
TSS04WH	10

For MTRS100/50 and MTRS100.
Internal depth 30mm



1 gang accessory plate

code	pack
MTSPS1WH	15

For MTRS100/50 and MTRS100.



2 gang accessory plate

code	pack
MTSPS2WH	15

For MTRS100/50 and MTRS100.

Maxi trunking fire clips



Fire clip internal MTRS50

code	trunking size	pack
FCMTRS50	50 x 50mm	50



Fire clip internal MTRS75/50

code	trunking size	pack
FCMTRS75/50	75 x 50mm	50



Fire clip internal MTRS75

code	trunking size	pack
FCMTRS75	75 x 75mm	50



Fire clip internal MTRS100

code	trunking size	pack
FCMTRS100	100 x 100mm	50



Fire clip internal MTRS100/50

code	trunking size	pack
FCMTRS100/50	100 x 50mm	50

Fire clip fixings



Masonry screws & washers

code	pack
FCMS	100



Cavity fixings & screws

code	pack
FCCS	50

We recommend using self tapping masonry or cavity screws and washers for all Fire clip installations in order to assist with meeting BS 7671 Wiring Regulations.