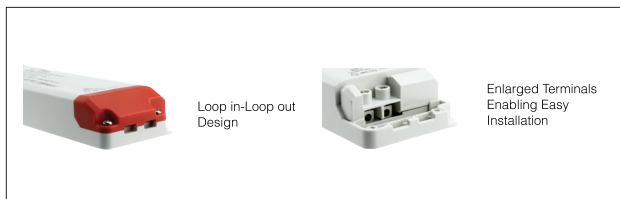


TECHNICAL DATASHEET

ADRCC350TD/14-35

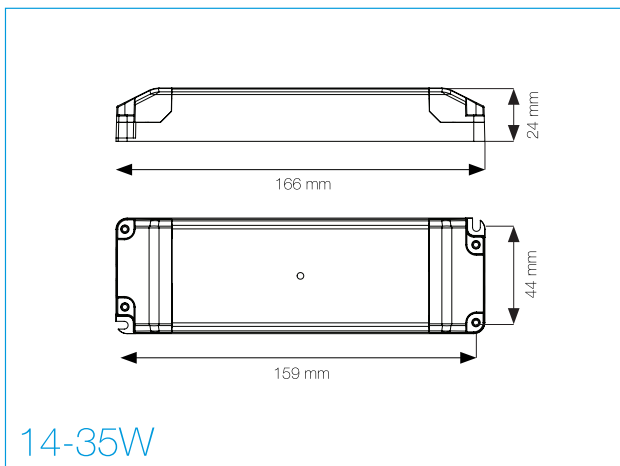
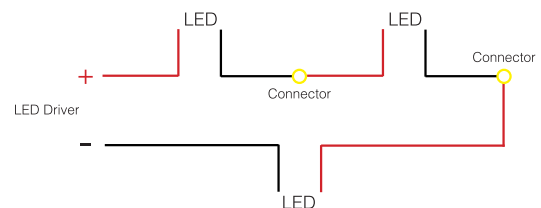
14-35W Dimmable 350mA Constant Current LED Driver



PRODUCT FEATURES

- Loop-in Loop-out Feature
- 14...35 PCS x 1W LED (350mA)
- 5-12 PCS X 3W LED (AGL045AL)
- 3-5 PCS X 7W LED (AGL060AL)
- Compact Size
- Enlarged Terminals
- Mains Dimmable
- Max. DC Loom Length 20m (1mm² Cable)

SERIES WIRING REQUIRED



PRODUCT CODE	ADRCC350TD/14-35
Operating Voltage	220-240 V AC
Output Current	350mA
Output Voltage	53-106V DC
Temperature	-20~+50°C