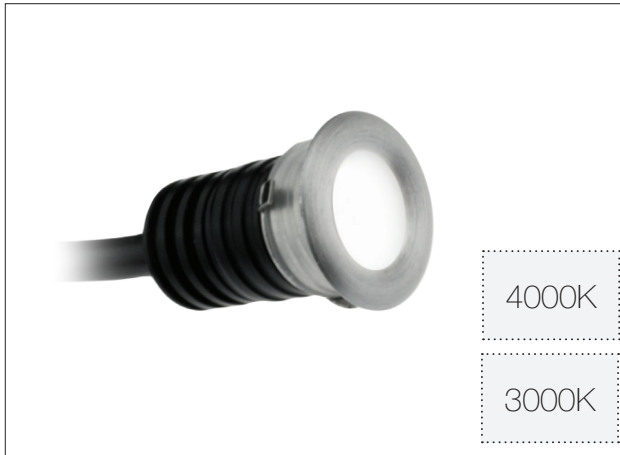


TECHNICAL DATASHEET

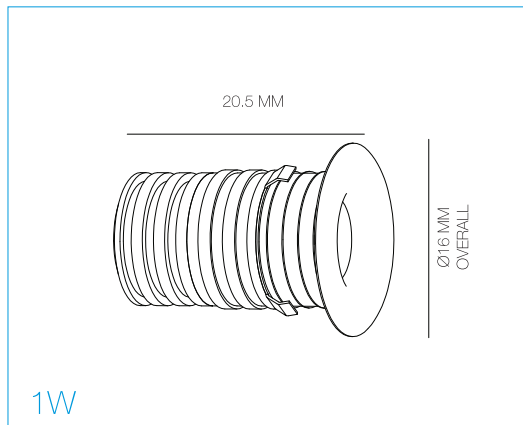
AMKR012AL

1W IP44 LED Micro Aluminium Marker Light



PRODUCT FEATURES

- Aluminium Finish
- Glare Reducing Fluted Design
- Ideal for Effect Lighting
- Super Slim
- IP44 Suitable for Use in Bathrooms
- Low Profile Micro Design
- 2m Pre-Wired Cable



SERIES WIRING
350mA

12mm
CUTOUT

CE

III

✓
ROHS

ErP
Compliant

IP44

5
Year
Guarantee

ALL LED AMKR012AL

This luminaire contains built-in LED lamps.

A++
A+
A
B
C
D
E

} LED

The lamps cannot be changed in the luminaire.

874/2012

PRODUCT CODE	AMKR012AL/30	AMKR012AL/40
Power	1W	1W
Lumens	≤60 lm	≤70 lm
Colour Temperature	3000K	4000K
Beam Angle	50°	50°
CRI	>80	>80
IP	IP44	IP44
Lifetime (Hours to Im70)	50,000 h	50,000 h
Temperature	-20~+50°C	-20~+50°C
Operating Current	350mA	350mA