

TECHNICAL DATASHEET

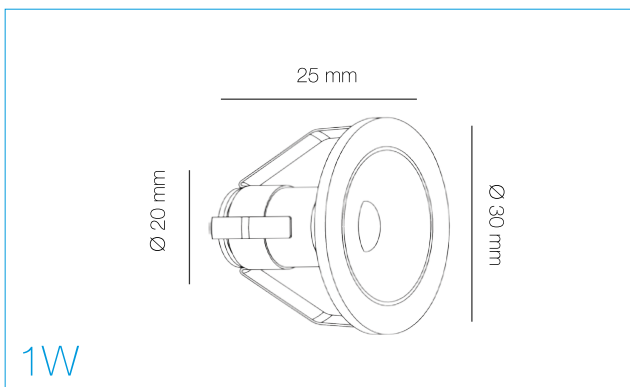
AMKR020AL

1W IP44 LED Aluminium Marker Light



PRODUCT FEATURES

- Aluminium Finish
- Black Baffle
- Glare Reducing Fluted Design
- Ideal for Effect Lighting
- Super Slim
- 2m Pre-Wired Cable
- Suitable for Use in Bathrooms



SERIES WIRING 350mA	20mm CUTOUT
CE	III
ROHS	ErP Compliant
IP44	5 Year Guarantee

ALL LED AMKR020AL

This luminaire contains built-in LED lamps.

A++
A+
A
B
C
D
E

LED

The lamps cannot be changed in the luminaire.

874/2012

PRODUCT CODE	AMKR020AL/30	AMKR020AL/40	AMKR020AL/BL
Power	1W	1W	1W
Lumens	≤60 lm	≤70 lm	≤25 lm
Colour Temperature	3000K	4000K	BLUE
Beam Angle	50°	50°	50°
CRI	>80	>80	>80
IP	IP44	IP44	IP44
Lifetime (Hours to lm70)	50,000 h	50,000 h	50,000 h
Operating Current	350mA	350mA	350mA
Temperature	-20~+50°C	-20~+50°C	-20~+50°C