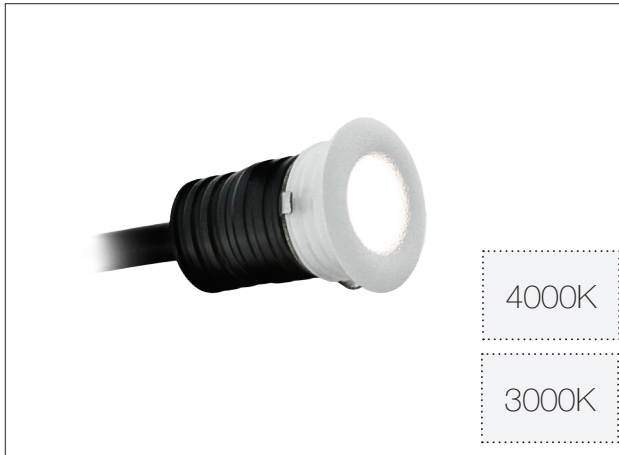


## TECHNICAL DATASHEET

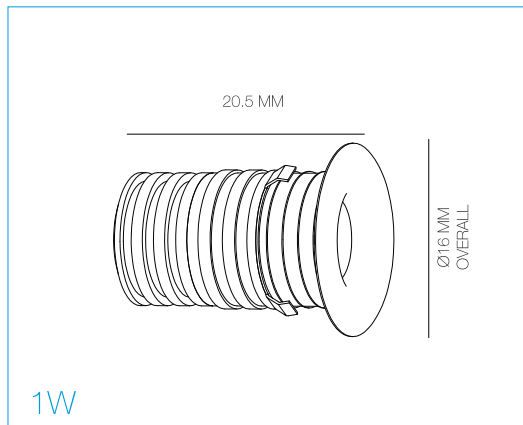
AMKR012WH

1W LED Micro White MArker Light



### PRODUCT FEATURES

- Powder Coat White Paint Finish
- Glare Reducing Fluted Design
- Ideal for Effect Lighting
- Super Slim
- IP44 Suitable for Use in Bathrooms
- Low Profile Micro Design
- 2m Pre-Wired Cable



<b>SERIES WIRING</b> 350mA	<b>12mm</b> CUTOUT
<b>CE</b>	<b>III</b>
<b>ROHS</b>	<b>ErP</b> Compliant
<b>IP44</b>	<b>5</b> Year Guarantee

**ALL LED AMKR012WH**

This luminaire contains built-in LED lamps.

**A++**  
**A+**  
**A**  
**B**  
**C**  
**D**  
**E**

**LED**

The lamps cannot be changed in the luminaire.

874/2012

PRODUCT CODE	AMKR012WH/30	AMKR012WH/40
Power	1W	1W
Lumens	≤60 lm	≤70 lm
Colour Temperature	3000K	4000K
Beam Angle	50°	50°
CRI	>80	>80
IP	IP44	IP44
Lifetime (Hours to Im70)	50,000 h	50,000 h
Temperature	-20~+50°C	-20~+50°C
Operating Current	350mA	350mA